



**EBARA**

# JESX-JEX

SELF-PRIMING ELECTRIC PUMPS

60 Hz





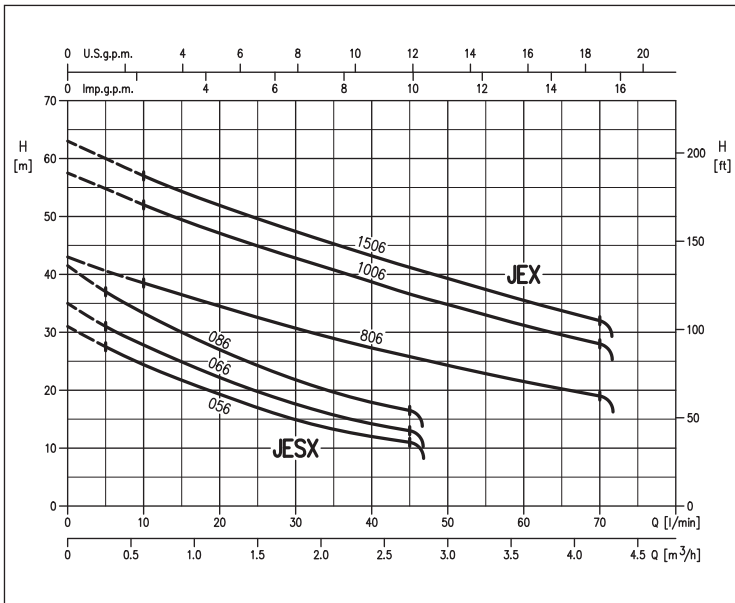
# JESX - JEX

## SELF-PRIMING ELECTRIC PUMPS

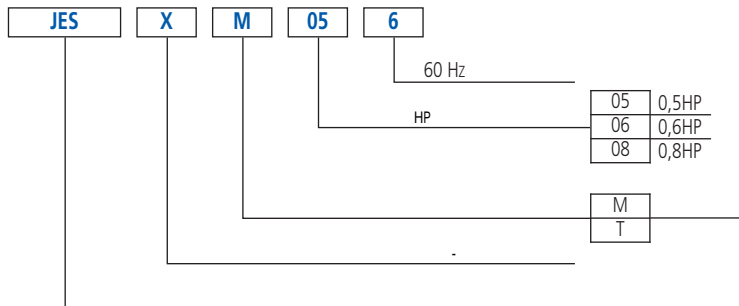
in AISI 304



(according to ISO 9906 Attachment A)



### JESX



Self-priming electric pumps in AISI 304 stainless steel.

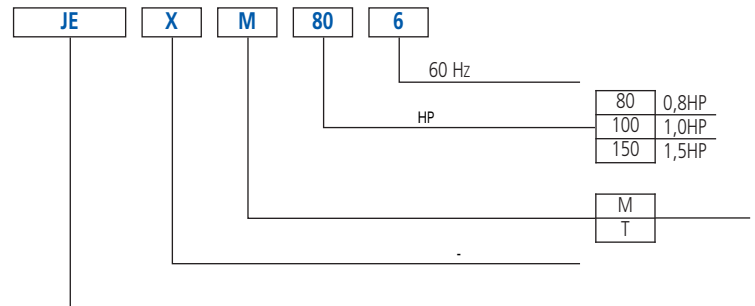
- 
- 
- 
- 
- 

• 가

- : JESX - 6 bar, JEX - 8 bar
- : 45°C
- : 8m
- 2
- F
- IP54 (on request IP55)
- 110-115V ±6%, 60Hz
- 220-230V ±6%, 60Hz
- 220/380V -6%+10%, 60Hz
- : JESX - G1, JEX - G1¼
- : G1

- Pump body and seal housing disc in AISI 304
- Shaft in AISI 303 (part in contact with the liquid)
- Impeller in AISI 304 for JEX, in PPE+PS reinforced with fibreglass for JESX
- Mechanical seal in Carbon/Ceramic/NBR
- Support and motor casing in aluminium

### JEX



# JESX - JEX

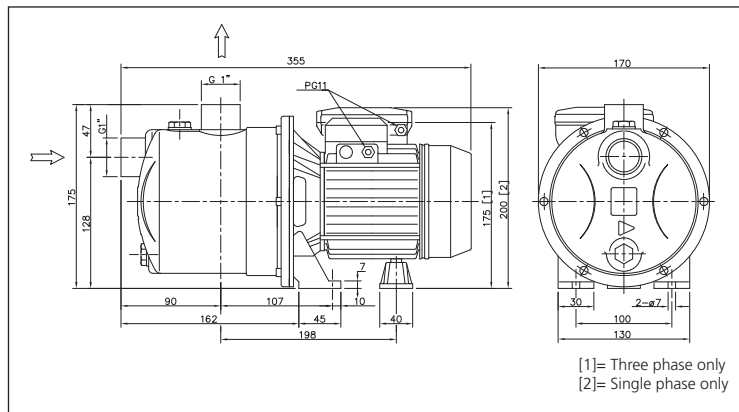
## SELF-PRIMING ELECTRIC PUMPS

in AISI 304

### JESX

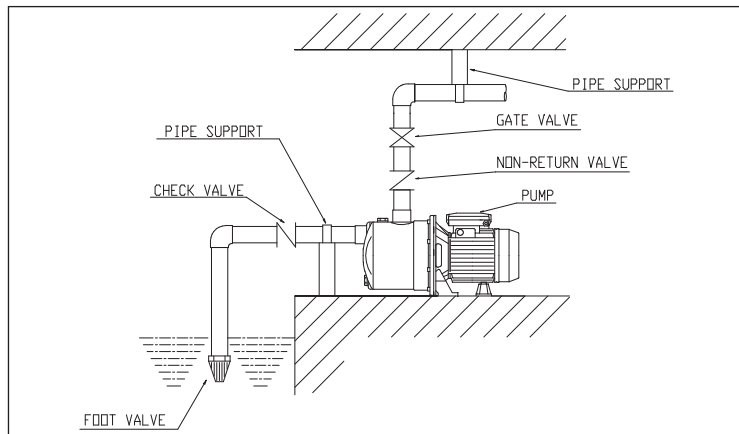
110-115/220-230V	220/380V	$P_2$		l/min m <sup>3</sup> /h	$Q=$					
		[HP]	[kW]		5	10	20	30	40	45
JESXM 056	JESX 056	0,5	0,37	27,5	24,4	19,3	14,9	12,0	11,0	
JESXM 066	JESX 066	0,6	0,44	31,0	27,8	22,2	17,6	14,2	13,0	
JESXM 086	JESX 086	0,8	0,6	37,0	33,3	27,0	21,8	17,9	16,5	

### JESX



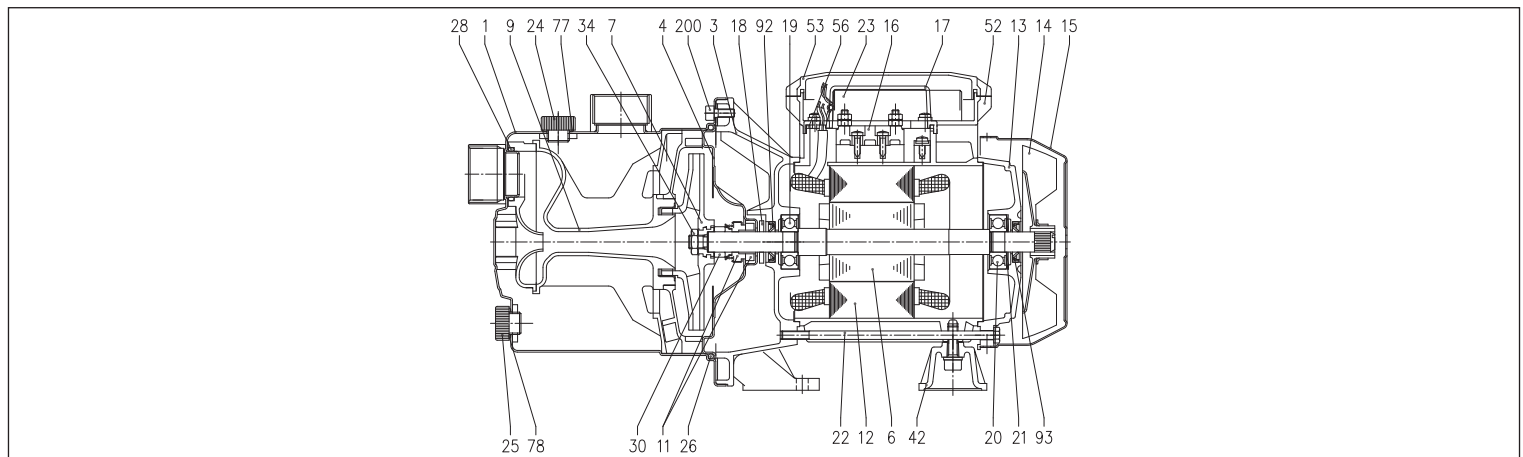
	[2]	[1]
JESX(M) 056	5,2	5,0
JESX(M) 066	5,5	5,1
JESX(M) 086	6,0	6,0

[1]= Three phase only  
[2]= Single phase only



For correct installation of the system, it is recommended to fit a foot valve on the suction and support/anchorage for the piping.

### JESX



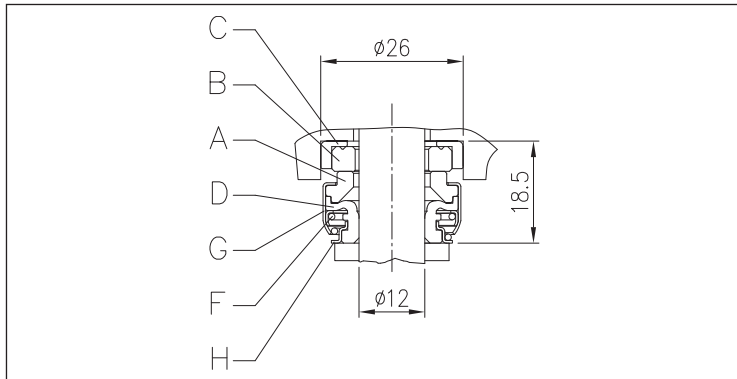
## SELF-PRIMING ELECTRIC PUMPS

in AISI 304

Ref.			Ref.		
1	Pump body	AISI 304	22	Tie-rod	Galvanised Fe 42
3	Motor support	Aluminium	23	Capacitor [2]	-
4	Seal housing disc	AISI 304	24	Filler cap	PA6
6	Rotor shaft	AISI 303 (Part in contact with the liquid)	25	Drain plug	PA6
7	Impeller	PPE+PS reinforced with fibreglass	26	O-Ring	NBR
9	Venturi Unit + nozzle	PPE+PS reinforced with fibreglass	28	O-Ring	NBR
11	Mechanical seal	Carbon/Ceramic/NBR	30	Mechanical seal spacer	Brass
12	Motor case	-	34	Impeller nut [1]	AISI 304
13	Motor cover	Aluminium	42	Foot	Aluminium
14	Fan	PA6	52	Capacitor-holder box [2]	ABS
15	Fan cover	Galvanised Fe P04	53	Cover gasket [2]	ABS+NBR
16	Terminal box	-	56	Terminal box cover gasket	NBR
17	Terminal box cover [1]	Aluminium	77	O-Ring	NBR
18	Spray protector washer	NBR	78	O-Ring	NBR
19	Bearing (pump side)	-	92	Sealing ring [3]	-
20	Bearing (motor side)	-	93	Sealing ring [3]	-
21	Adjusting ring	Steel C70	200	Screw (pump body)	A2 UNI7323 stainless steel

[1]= For three phase only  
 [2]= For single phase only  
 [3]= For IP55 only

### JESX



Ref.		
A	Rotating part	Carbon
B	Fixed part	Ceramic
C	Gasket	NBR
D	Bellows	NBR
F	Spring	AISI 304
G	Structure/frame	AISI 304
H	Retainer ring	AISI 304

### JESX

110-115/220-230V	220/380V	P <sub>2</sub>		Capacitor				P <sub>1</sub>		Absorbed Current [A]			
		[HP]	[kW]	110-115V μF	V <sub>c</sub>	220-230V μF	V <sub>c</sub>	[kW]	[kW]	110-115V	220-230V	220V	380V
JESXM 056	JESX 056	0,5	0,37	31,5	250	8	450	0,4	0,37	3,6	2,0	1,3	0,7
JESXM 066	JESX 066	0,6	0,44	30	250	8	450	0,46	0,4	4,1	2,2	1,4	0,8
JESXM 086	JESX 086	0,8	0,6	50	250	10	450	0,54	0,47	4,9	2,5	1,6	0,9

# JESX - JEX

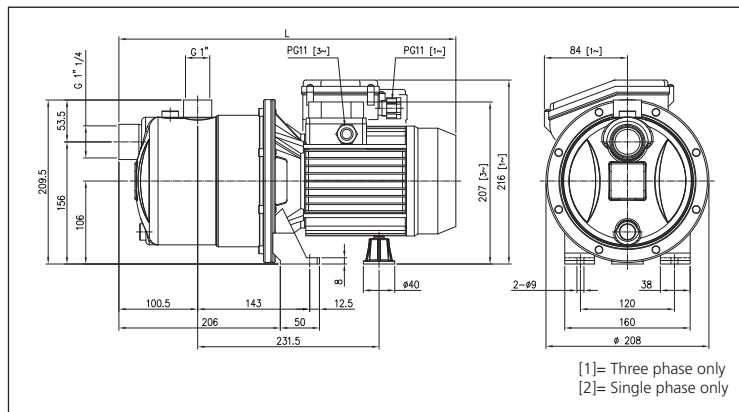
## SELF-PRIMING ELECTRIC PUMPS

in AISI 304

### JEX

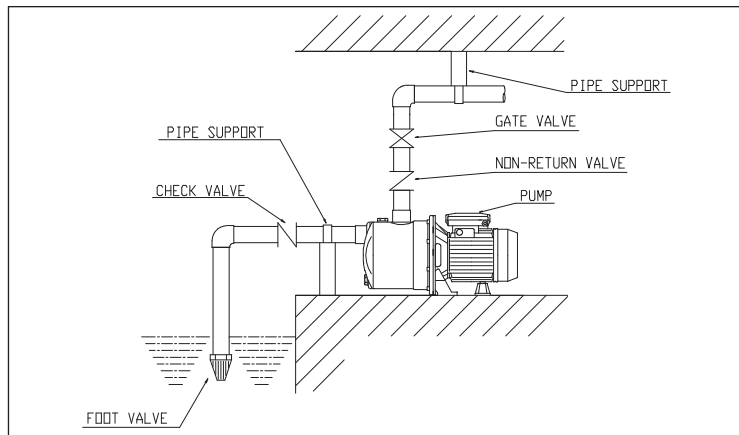
110-115/220-230V	220/380V	$P_2$		$Q=$								
		[HP]	[kW]	l/min	10	20	30	40	45	50	60	70
				m <sup>3</sup> /h	0,6	1,2	1,8	2,4	2,7	3	3,6	4,2
JEXM 806	JEX 806	0,8	0,6		38,5	35,0	30,7	27,3	25,8	24,3	21,5	19,0
JEXM 1006	JEX 1006	1	0,75		52,0	47,0	43,0	38,7	36,6	34,8	31,2	28,0
JEXM 1506	JEX 1506	1,5	1,1		57,0	52,0	47,5	43,2	41,2	39,3	35,5	32,0

### JEX



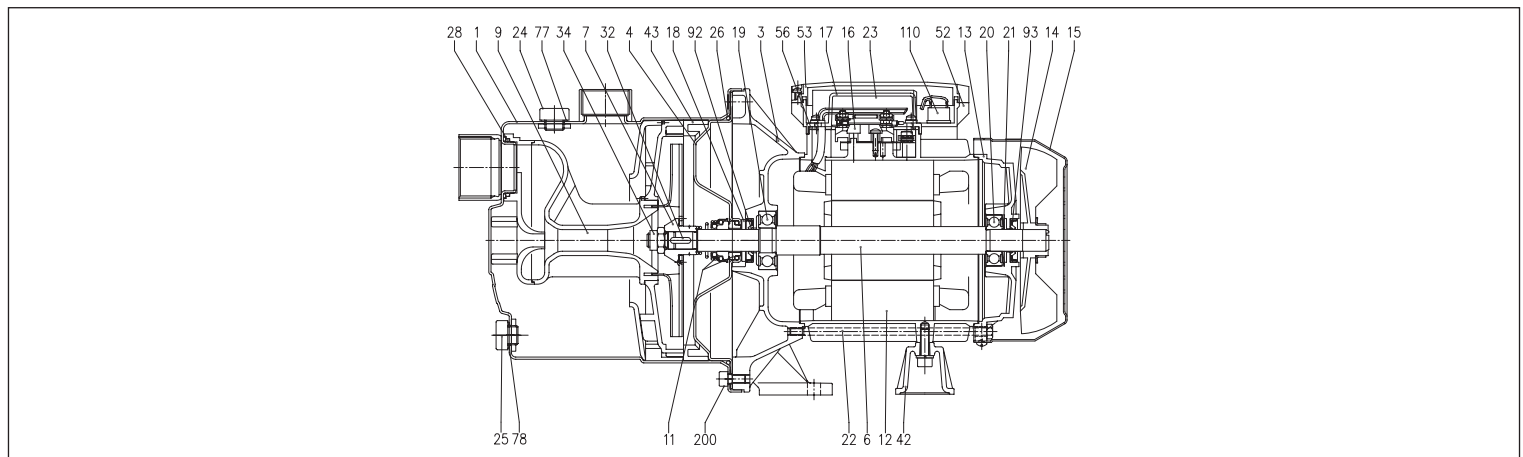
	$L$		[kg]	
	[2]	[1]	[2]	[1]
JEX(M) 086	419	418	10,2	10,2
JEX(M) 1006	419	418	11,6	11,6
JEX(M) 1506	419	430	14,3	15,3

[1]= Three phase only  
[2]= Single phase only



For correct installation of the system, it is recommended to fit a foot valve on the suction and support/anchorage for the piping.

### JEX



## SELF-PRIMING ELECTRIC PUMPS

in AISI 304

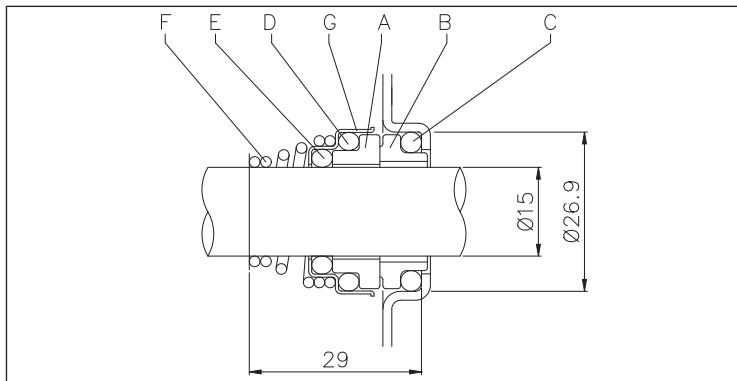
Ref.			Ref.		
1	Pump body	AISI 304	24	Filler cap	PA6
3	Motor support	Aluminium	25	Drain plug	PA6
4	Seal housing disc	AISI 304	26	O-Ring	NBR
6	Rotor shaft	AISI 303 (Part in contact with the liquid)	28	O-Ring	NBR
7	Impeller	AISI 304	32	Key	AISI 304
9	Venturi Unit + nozzle	PPE+PS reinforced with fibreglass	34	Impeller nut	AISI 304
11	Mechanical seal	Carbon/Ceramic/NBR	42	Foot	Aluminium
12	Motor case	-	43	Nozzle spacer	PPE+PS reinforced with fibreglass
13	Motor cover	Aluminium	52	Capacitor-holder box [2]	ABS
14	Fan	PA6	53	Cover gasket [2]	ABS
15	Fan cover	Galvanised Fe P04	56	Box gasket	NBR
16	Terminal box	-	77	O-Ring	NBR
17	Terminal box cover [1]	Aluminium	78	O-Ring	NBR
18	Spray protector washer	NBR	90	Terminal box cover gasket [2]	NBR
19	Bearing (pump side)	-	92	Sealing ring [3]	-
20	Bearing (motor side)	-	93	Sealing ring [3]	-
21	Adjusting ring	Steel C70	110	Motorprotector [2]	-
22	Tie-rod	Galvanised Fe 42	200	Screw (pump body)	A2 UNI7323 stainless steel
23	Capacitor [2]	-			

[1]= For three phase only

[2]= For single phase only

[3]= For IP55 only

### JEX



Ref.		
A	Rotating part	Ceramic
B	Fixed part	Carbon
C	O-Ring	NBR
D	O-Ring	NBR
E	O-Ring	NBR
F	Spring	AISI 316
G	Structure/frame	AISI 304

### JEX

110-115/220-230V	220/380V	P <sub>2</sub>		Capacitor				P <sub>1</sub>		Absorbed Current [A]			
		[HP]	[kW]	110-115V		220-230V		[kW]	[kW]	Absorbed Current [A]			
				μF	V <sub>c</sub>	μF	V <sub>c</sub>			110-115V	220-230V	220V	380V
JEXM 806	JEX 806	0,8	0,6	60	250	14	450	1,0	0,87	9,2	4,9	2,8	1,6
JEXM 1006	JEX 1006	1	0,75	70	250	20	450	1,5	1,00	13,3	7,2	2,9	1,7
JEXM 1506	JEX 1506	1,5	1,1	-	-	25	450	1,7	1,50	-	8,1	3,8	2,2



**EBARA**

