

# LPDC VERTICAL IN-LINE PUMP



60HZ



**Contact:**

Email: [emc.englishsupport@ebara.cn](mailto:emc.englishsupport@ebara.cn) <English>

[emc.chinesesupport@ebara.cn](mailto:emc.chinesesupport@ebara.cn) <Chinese>

**Standard Pump Factory**

NO. 66, Futao Road, Fushan New&Hi-Tech Industry Zone, Yantai, PRC

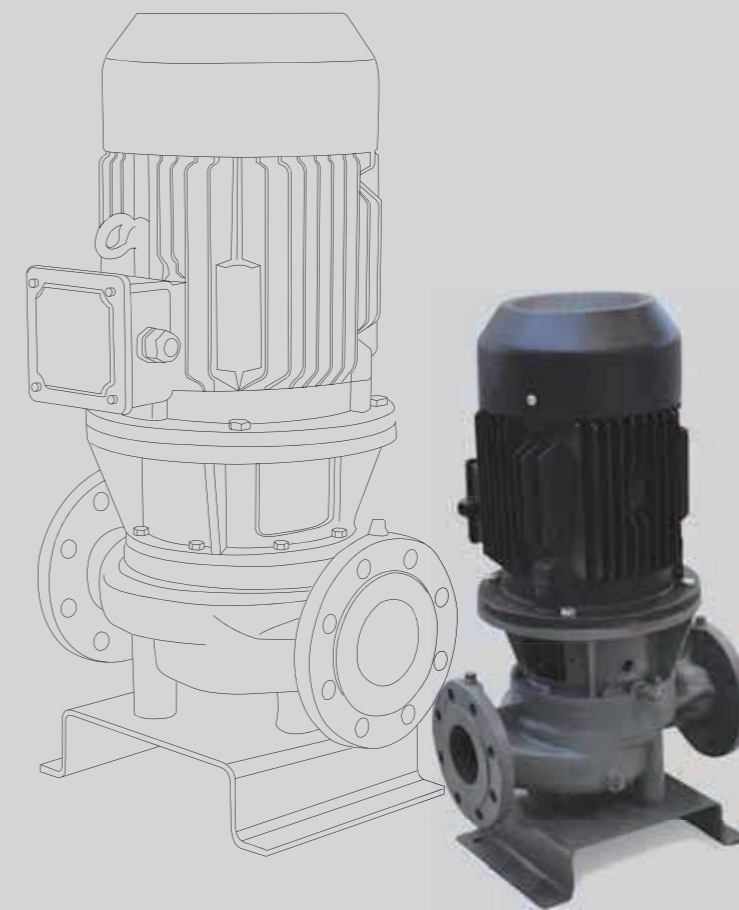
TEL: +86-535-6988830

**Head Office**

Room303, TowerA, Fortune Plaza

No.7, DonsanhuanZhong Road, Chaoyang District, Beijing 100020, PRC

Tel: +86-10-6581-5557(9926)



EBARA MACHINERY (CHINA) CO., LTD.

## Index

■ Index	1
■ About the product	2
■ Model code/identification	3
■ Selection chart	4
■ Sectional view	5-6
■ Dimension	7-9



# EBARA MACHINERY (CHINA)

#### Ebara Machinery (China) Co., Ltd.

As the wholly owned subsidiary company of Ebara Subsidiary Corporation, Ebara Machinery (China) devotes itself to the expansion of Ebara's wind and hydraulic power business in China and supplying of advanced general pump, cooling tower, water supply system, heat exchanger and water treatment products and other services with high quality for clients.

Ebara is famous for producing advanced water pump, water supply system, cooling tower and heat exchanger. As a combined environment engineering enterprise, Ebara is staffed with over 15000 employees with its business covered 24 countries across the world, there are more than 107 production bases, branches and R&D research centers. By now, Ebara has made contributions to different fields and is enjoying reliability from tens of thousands of clients across the world.

Ebara Machinery (China) would make great efforts to promote the development of local clients; And as a part of Ebara Corporation, our mission is to offer strong strategic support to Ebara.

## About the product

### ■ Features

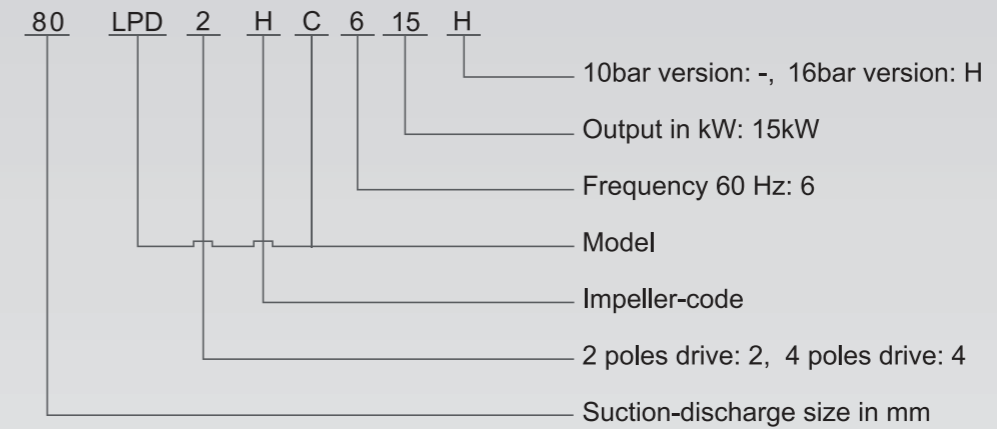
- Vertical in-line single stage pump.
- Light weight, compact construction with vertical in-line design, thus save space during installation.
- Easy removal and maintenance, VPO (vertical pull out) system allows all rotating elements to be removed without disconnecting suction and discharge pipe work.
- In-line suction - discharge.
- Shaft seal use mechanical seal type to ensure no leakage during pumping operation.
- No alignment required.
- Higher working pressure up to 16 bars.

### ■ Applications

- Water supply
- Drainage & Irrigation
- Booster pumps
- Air-conditioning
- Hot and cold water supply
- Water circulation
- Swimming pool
- Industrial use

## Model code/identification

### ■ Model code



### ■ Pump specifications

Max.Working Pressure		10bar	16bar
Liquid Handled	Name	Clean water(pH:5.8 ~ 8.6)	
	Temperature	0 ~ 80 °C	
Max. discharge pressure		10bar	16bar
Construction	Type	In-line	
	Impeller	Enclosed	
	Shaft seal	Mechanical seal	
	Flushing	Self-flushing	
Material	Casing	Cast iron	Cast iron/Ductile cast iron (※)
	Impeller	Bronze Casting(stainless steel optional)	
	Mechanical seal	Ceramic/Carbon/NBR	
	Shaft	Stainless steel	
Flange	Suction	DIN PN-10	DIN PN-16
	Discharge	DIN PN-10	DIN PN-16

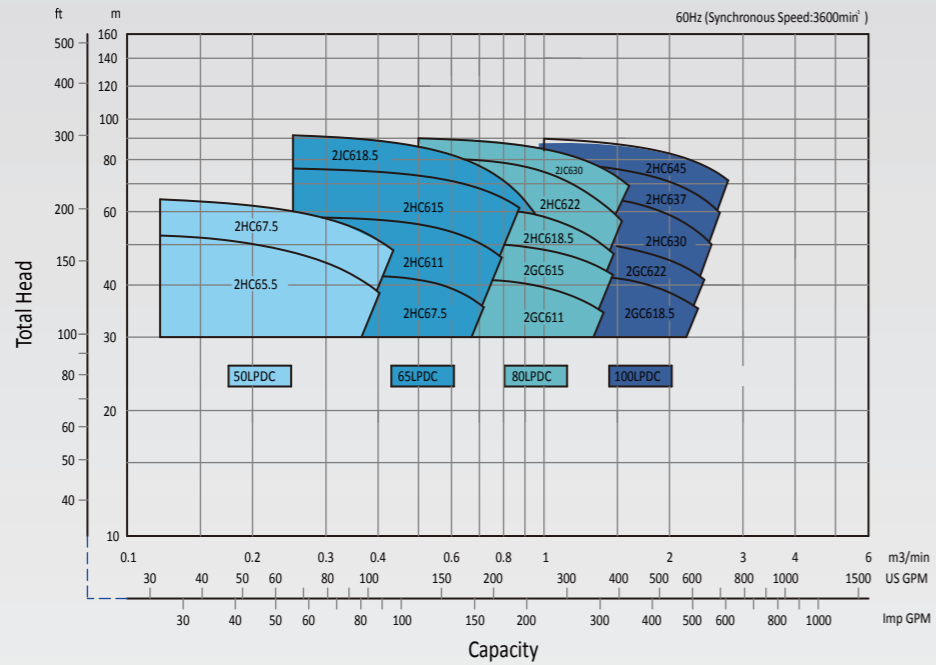
NOTE: ※100mm & above: Cast iron material;  
 ※100mm below: Ductile cast iron

### ■ Motor specifications

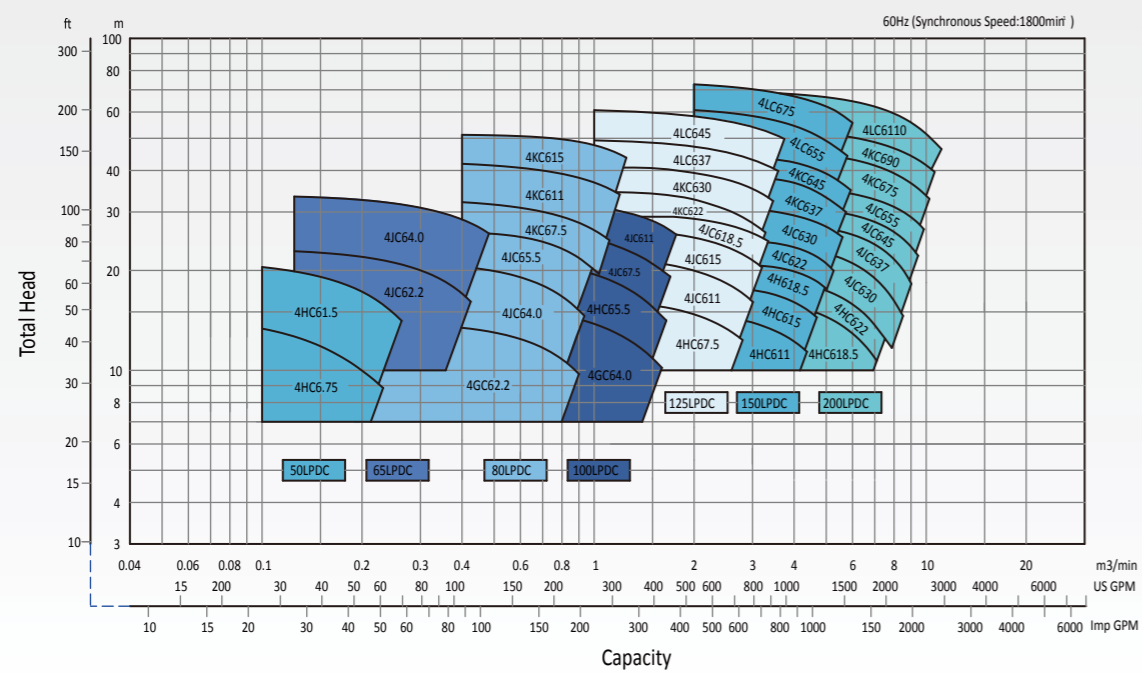
Number of poles	2 poles	4 poles
Synchronous speed	3600min <sup>-1</sup>	1800min <sup>-1</sup>
Phase	3 phase	
Voltage	60Hz 380V±10%	
Type	Totally enclosed fan cooled(indoors)	
Protection degree	IP55 F	
Frequency	No available	

## Selection chart

### 2P

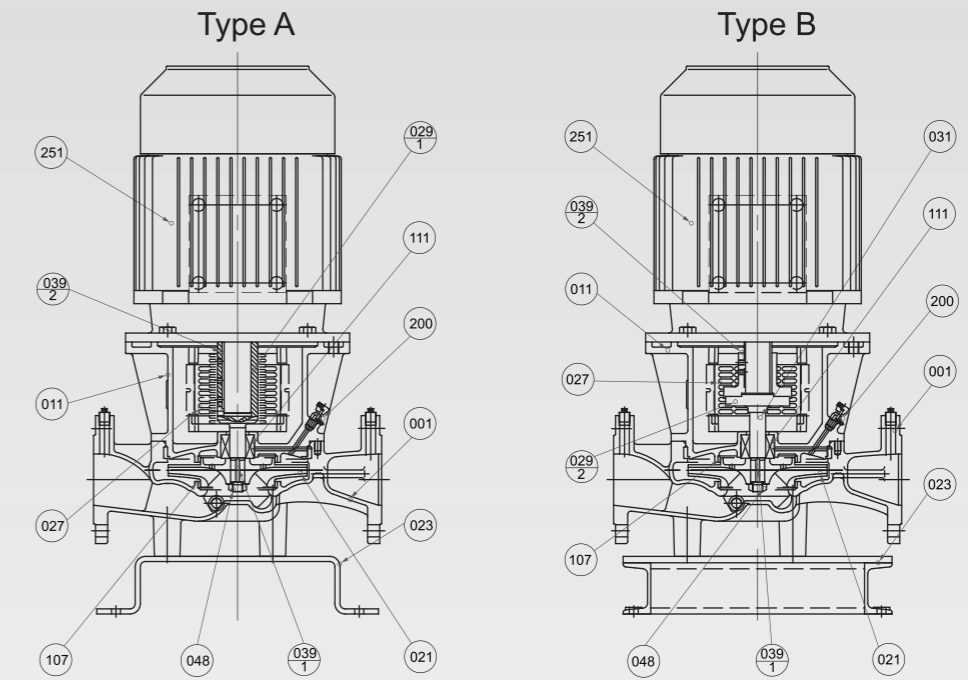


### 4P



## Sectional view

### Pump



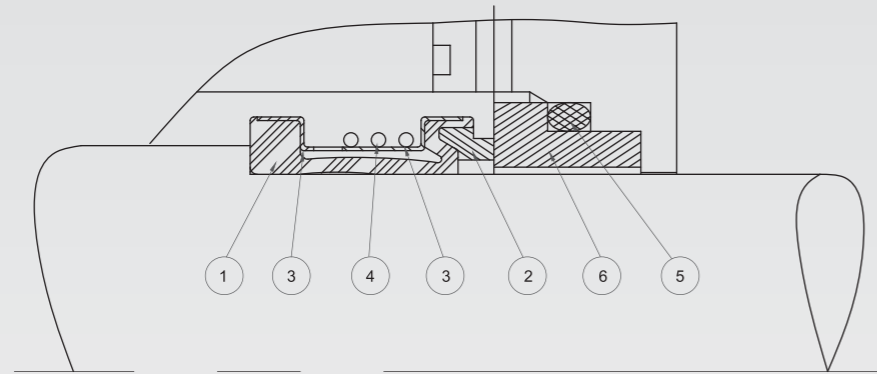
### Pump specifications

Part No.	Part Name	Material		Qty/Unity
		10bar	16bar	
251	Electric motor	-		1
200	Air vent valve	Brass		1
111	Mechanical seal	Ceramic/Carbon/NBR		1
107	Liner ring	Bronze		2
048	Impeller Nut	Brass		1
039-2	Key	Carbon steel		1
039-1	Key	Stainless steel		1
031	Shaft	Stainless steel		1
029-2	Coupling(※3)	Cast Iron		1
029-1	Extension of shaft(※3)	Stainless steel		1
027	Connection frame protection cover	Stainless steel		2
023	Base(※2)	Carbon steel		1
021	Impeller	Bronze(SS available as option)		1
011	Casing Bracket	Cast Iron		1
001	Casing	Cast Iron	Ductile Cast Iron/Cast Iron(※1)	1

NOTE: ※1. For 16 bar model, diameter below 100mm are made of Ductile Cast Iron, while diameter 100mm and above are made of Cast Iron  
 ※2. Pump with diameter below 125mm use stamping base(see type A), while 125mm and above use channel steel base plate(see type B)  
 ※3. For pump diameter below 200mm, the shaft coupling between motor and pump use extended shaft for 200 LPDC and 250 LPDC use rigidity direct coupling

## Sectional view

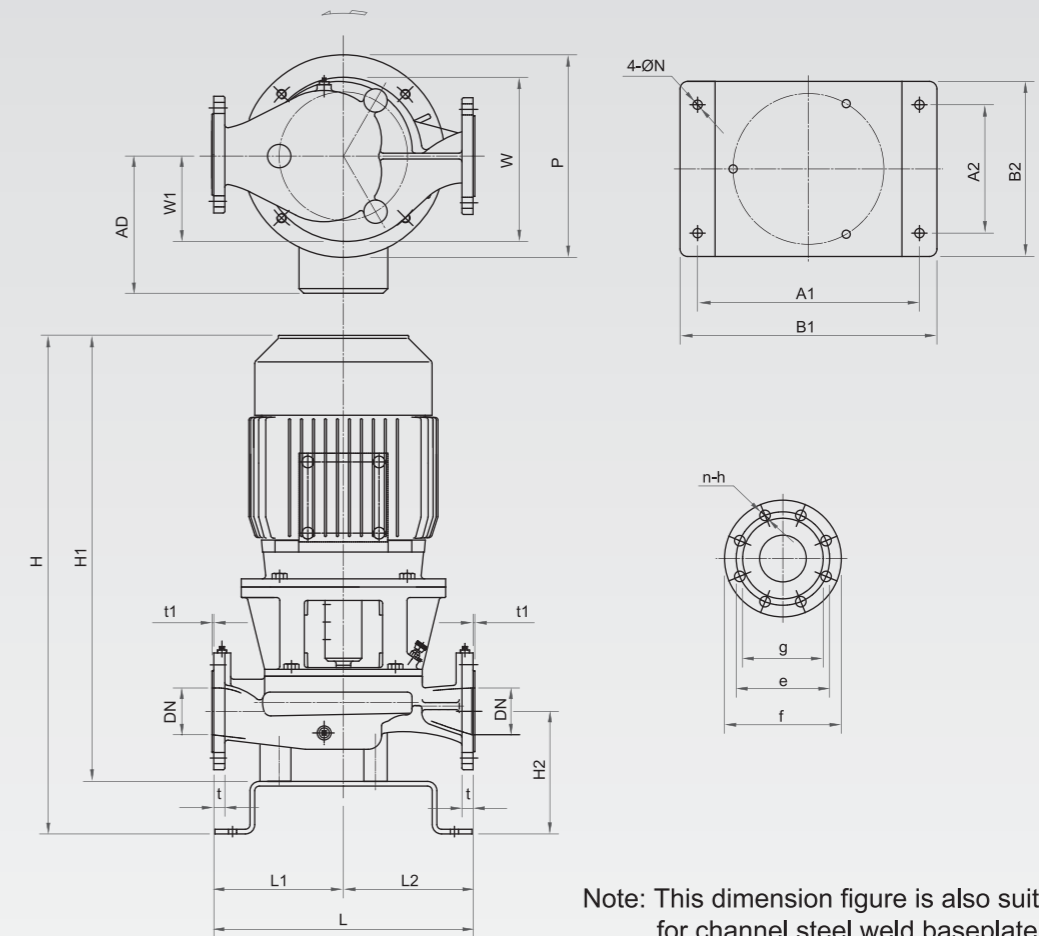
### Mechanical seal



Part No.	Part model	Material	Quantity/set
1	bellows	NBR	1
2	rotating ring	Graphite	1
3	drive ring	NBR	1
4	spring	SS316	1
5	L pad	NBR	1
6	Static ring	Ceramic	1

## Dimension

### Pump



Note: This dimension figure is also suitable for channel steel weld baseplate.

### Flange

1.0MPa

DN mm	f mm	e mm	g mm	t1 mm	t mm	n -	h mm
50	165	125	102	3	20	4	18
65	185	145	122	3	20	4	18
80	200	160	138	3	22	8	18
100	220	180	158	3	24	8	18
125	250	210	188	3	26	8	18
150	285	240	212	3	26	8	22
200	340	295	268	3	26	8	22
250	395	350	320	3	28	12	22

1.6MPa

DN mm	f mm	e mm	g mm	t1 mm	t mm	n -	h mm
50	165	125	102	3	20	4	18
65	185	145	122	3	20	4	18
80	200	160	138	3	22	8	18
100	220	180	158	3	24	8	18
125	250	210	188	3	26	8	18
150	285	240	212	3	26	8	22
200	340	295	268	3	30	12	22
250	405	355	320	3	32	12	26

