



EBARA

IDROGO

5" SUBMERSED CENTRIFUGAL ELECTRIC PUMP

60 Hz





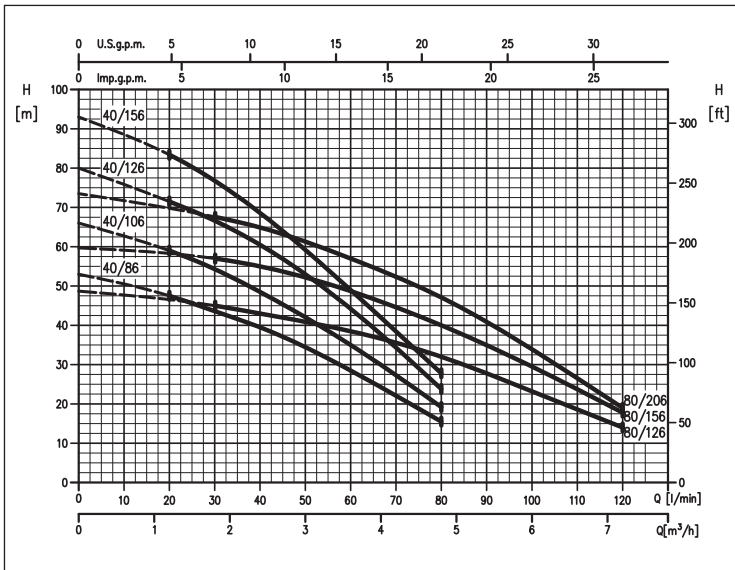
IDROGO

5" SUBMERSED CENTRIFUGAL ELECTRIC PUMPS

in AISI 304

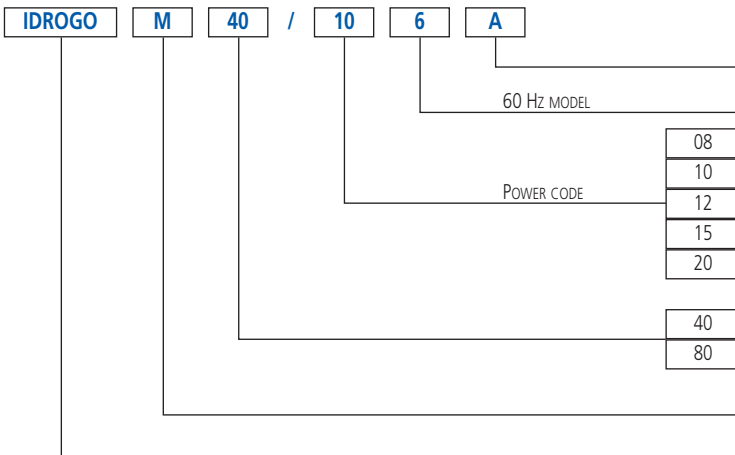


(according to ISO 9906 Attachment A)



5" submersed multistage centrifugal electric pumps in AISI 304.

- 가
- 20 m, H05VV-F power cable
- : 가
- : 10 bar
- : 40°C
- : 20 m, (10 m with float)
- 2
- F
- IPX8
- 220-230V ±6%, 60Hz
- 380V -6%+10%, 60Hz
- : G1¼
- External casing, motor cover, seal housing disc, filter and closing ring in AISI 304
- Impeller, nozzle and spacer in PPO reinforced with fibreglass
- Shaft in AISI 431
- Upper mechanical seal (motor side) in Carbon/Ceramic/NBR and lower (pump side) in SiC/Carbon/NBR

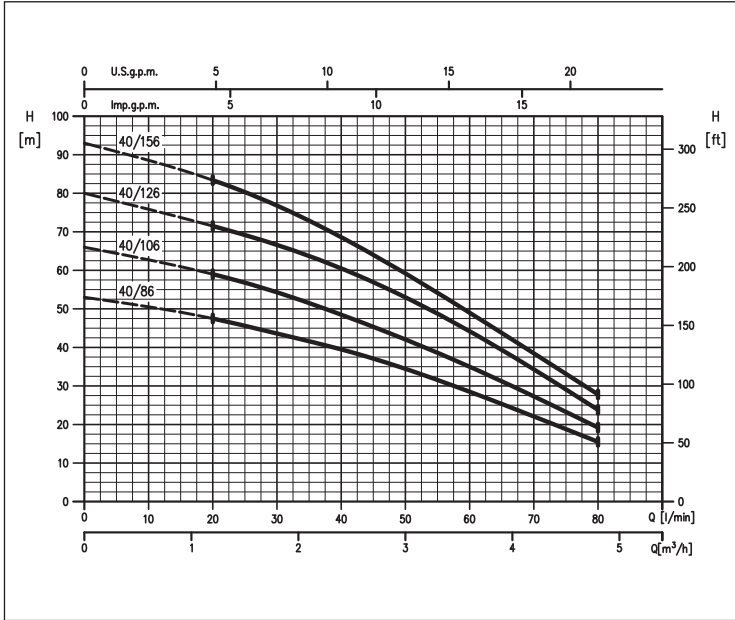


5" SUBMERSED CENTRIFUGAL ELECTRIC PUMPS

in AISI 304

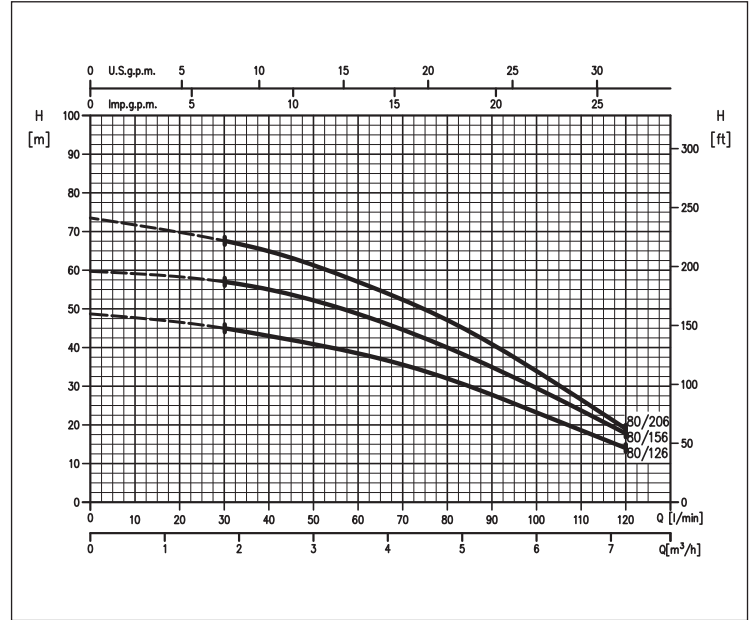
IDROGO 40

(according to ISO 9906 Attachment A)

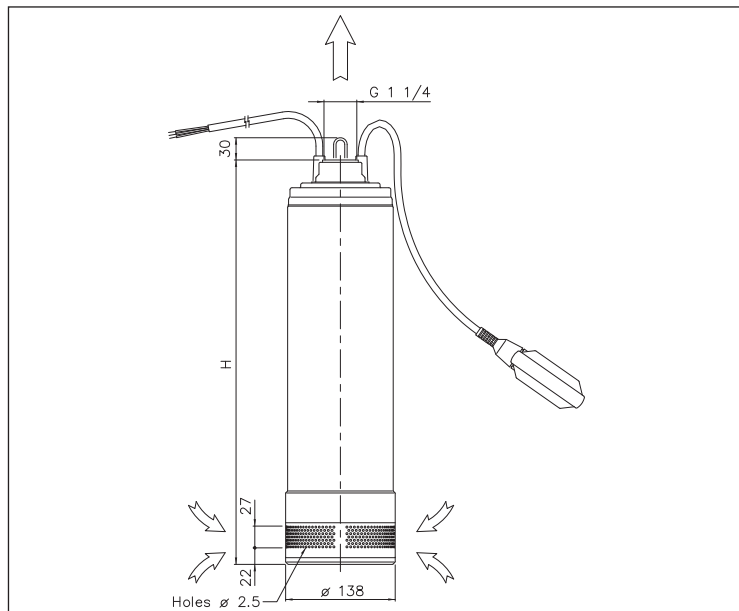


IDROGO 80

(according to ISO 9906 Attachment A)



220-230V	380V	P ₂		Q=							
		[HP]	[kW]	l/min m³/h	20 1,2	30 1,8	40 2,4	60 3,6	80 4,8	100 6	120 7,2
IDROGO M 40/86	IDROGO 40/86	0,8	0,6	47,5	43,5	39,5	28,5	15,5	-	-	-
IDROGO M 40/106	IDROGO 40/106	1	0,75	59,0	54,5	48,5	35,0	19,2	-	-	-
IDROGO M 40/126	IDROGO 40/126	1,2	0,9	71,5	66,5	60,5	44,0	23,8	-	-	-
IDROGO M 40/156	IDROGO 40/156	1,5	1,1	83,5	76,5	68,5	49,0	27,8	-	-	-
IDROGO M 80/126	IDROGO 80/126	1,2	0,9	-	45,0	43,0	38,5	32,0	23,2	14,0	-
IDROGO M 80/156	IDROGO 80/156	1,5	1,1	-	57,0	55,0	48,5	40,0	29,5	17,8	-
-	IDROGO 80/206	2	1,5	-	67,5	65,0	57,0	47,0	33,9	19,0	-

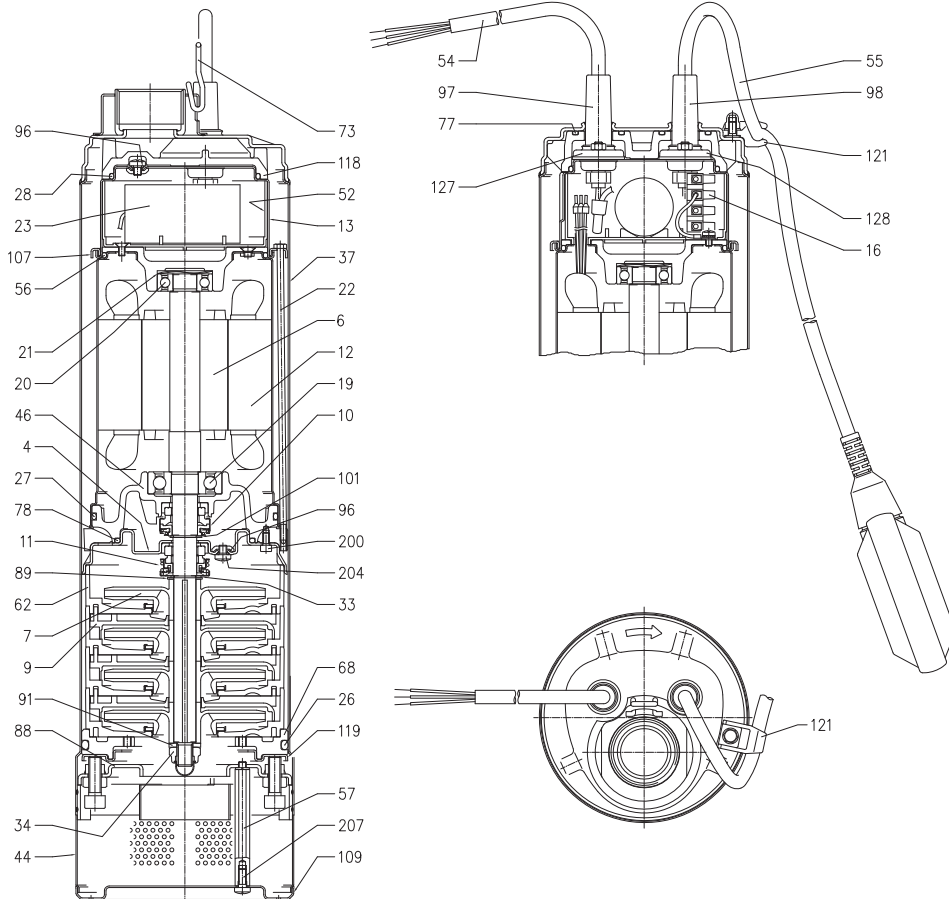


	H	[mm]	H1	[2]	[kg]	[1]
IDROGO 40/86	513	250	14,5	14,0	-	-
IDROGO 40/106	539	275	15,5	15,0	-	-
IDROGO 40/126	590	300	17,0	16,5	-	-
IDROGO 40/156	616	325	18,0	17,2	-	-
IDROGO 80/126	540	250	15,8	15,2	-	-
IDROGO 80/156	564	275	17,0	16,5	-	-
IDROGO 80/206	590	300	-	17,5	-	-

[1]= Three phase only
[2]= Single phase only

5" SUBMERSED CENTRIFUGAL ELECTRIC PUMPS

in AISI 304

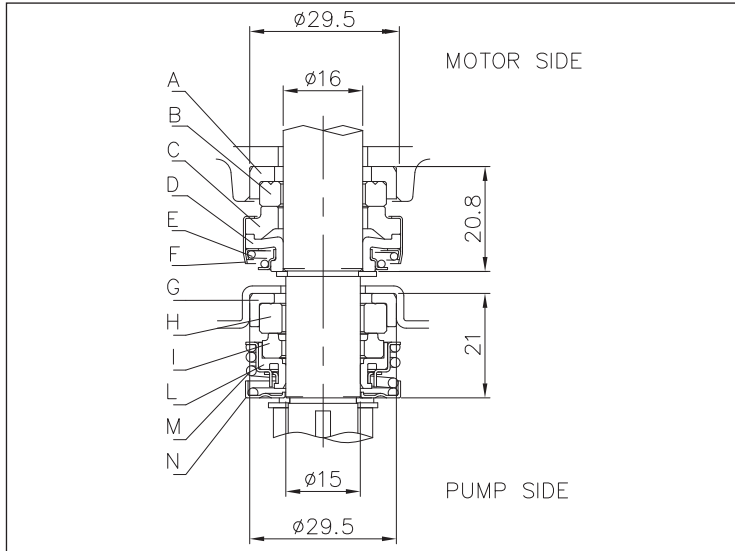


Ref.		Ref.	
4	Casing cover	55	Float switch [2]
6	Shaft	56	O-Ring
7	Impeller	57	Bolt
9	Diffuser	62	Stage box
10	Motor side mechanical seal	68	Lower spacer
11	Pump side mechanical seal	73	Lifting holder
12	Motor case	77	O-Ring
13	Motor cover	78	O-Ring
16	Terminal box	89	Washer
19	Bearing (pump side)	91	Washer
20	Bearing (motor side)	96	O-Ring
21	Adjusting ring	97	Cable gland (power supply)
22	Tie-rod	98	Cable gland (float) [2]
23	Capacitor [1]	101	Seeger ring
26	O-Ring	107	Retainer ring
27	O-Ring	109	Strainer cover
28	O-Ring	118	Upper spacer
33	Seeger ring	119	Flange
34	Impeller nut	121	Support for float [2]
37	Casing	127	Cable gland connector (power supply)
44	Filter	128	Cable gland connector (float)
46	Bearing holder support	200	Screw
52	Capacitor-holder box	204	Screw
54	Power supply cable	207	Screw

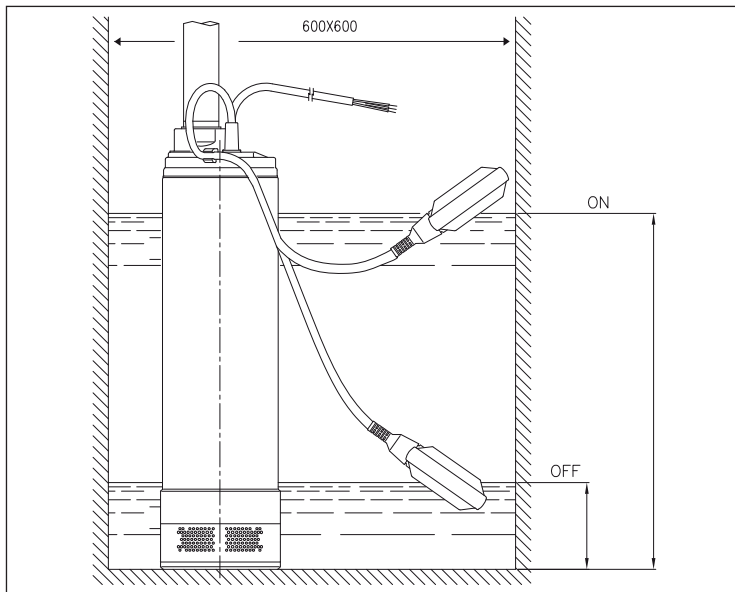
[1]= For single phase only
 [2]= For single phase with float switch only

5" SUBMERSED CENTRIFUGAL ELECTRIC PUMPS

in AISI 304



Ref.		
A	Fixed gasket	NBR
B	Fixed sealing ring	Ceramic
C	Rotating sealing ring	Carbon
D	Rotating gasket	NBR
E	Spring	AISI 304
F	Structure/frame	AISI 304
G	Fixed gasket	NBR
H	Fixed sealing ring	SiC
I	Rotating sealing ring	Carbon
L	Rotating gasket	NBR
M	Spring	AISI 304
N	Structure/frame	AISI 304



	ON	[mm]	OFF
IDROGO 40/86	560		180
IDROGO 40/106	590		190
IDROGO 40/126	660		220
IDROGO 40/156	730		240
IDROGO 80/126	590		190
IDROGO 80/156	640		210
IDROGO 80/206	660		220

Model		P ₂		Capacitor		P ₁		Absorbed Current [A]	
220-230V	380V	[HP]	[kW]	μF	V _c	[kW]	[kW]	220-230V	380V
IDROGO M 40/86	IDROGO 40/86	0,8	0,6	16	450	1,03	0,93	5,0	1,7
IDROGO M 40/106	IDROGO 40/106	1	0,75	16	450	1,2	1,09	5,9	2
IDROGO M 40/126	IDROGO 40/126	1,2	0,9	20	450	1,45	1,28	7,1	2,3
IDROGO M 40/156	IDROGO 40/156	1,5	1,1	25	450	1,68	1,47	8,1	2,7
IDROGO M 80/126	IDROGO 80/126	1,2	0,9	20	450	1,3	1,1	6,4	2,1
IDROGO M 80/156	IDROGO 80/156	1,5	1,1	25	450	1,48	1,3	7,2	2,5
-	IDROGO 80/206	2	1,5	-	-	-	1,53	-	2,7

EBARA Pumps Europe network

HEAD OFFICE

EBARA Pumps Europe S.p.A.

Via Pacinotti, 32
36040 Brendola (VI), Italy
Phone +39 0444 706811 - Fax +39 0444 405811

Italian sales:
e-mail: ordini@ebaraeurope.com

Export sales:
e-mail: exportsales@ebaraeurope.com

Technical Customer Service (TCS):
e-mail: technical_customer_service@ebaraeurope.com
Phone +39 0444 706902/923

Marketing & Marketing Communication:
e-mail: marketing@ebaraeurope.com

ITALIAN SALES NETWORK

NORTH Region:

(Valle d'Aosta, Piemonte, Lombardia, Liguria, Trentino
Alto Adige, Veneto, Friuli Venezia Giulia, Emilia Romagna)
Regional Manager cell.: +39 348 8732512
e-mail: nord@ebaraeurope.com
Phone +39 0444 706811 - Fax +39 0444 405811

CENTRAL Region:

(Toscana, Umbria, Marche, Lazio, Abruzzo, Molise)
Regional Manager cell.: +39 335 6423286
e-mail: centro@ebaraeurope.com
Phone +39 0444 706811 - Fax +39 0444 405811

SOUTH Region:

(Campania, Basilicata, Puglia, Calabria, Sicilia)
Regional Manager cell.: +39 335 6423316
e-mail: sud@ebaraeurope.com
Phone +39 0444 706811 - Fax +39 0444 405811

INDUSTRIAL Division:

Manager cell.: +39 335 6423302
e-mail: industry@ebaraeurope.com
Phone +39 0444 706811 - Fax +39 0444 405811

WASTEWATER Division:

Manager cell.: +39 335 6423290
e-mail: ses@ebaraeurope.com
Phone +39 0444 706811 - Fax +39 0444 405811

MILANO Branch:

Via Lainate, 62
20017 Rho (MI)
Phone +39 02 93507358 - Fax +39 0444 405975
Branch Manager cell.: +39 335 5327276
e-mail: mktgmi@ebaraeurope.com

CAGLIARI Branch:

Via del Fangario, 29
09122 Cagliari
Phone +39 070 274281 - Fax +39 0444 405960
Branch Manager cell.: +39 335 6423320
e-mail: mktgca@ebaraeurope.com

PALERMO Branch

Via Don L. Sturzo, 181/183
Z.I. - 90044 Carini (PA)
Phone +39 091 8669790 - Fax +39 0444 405980
Branch Manager cell.: +39 335 6423316
e-mail: mktgpa@ebaraeurope.com

EXPORT NETWORK

EBARA Pumps Europe S.p.A. UNITED KINGDOM

Unit 7 - Zodiac Business Park
High Road - Cowley Uxbridge
Middlesex - UB8 2GU, United Kingdom
Phone +44 1895 439027 - Fax +44 1895 439028
e-mail: mktguk@ebaraeurope.com

EBARA ESPAÑA BOMBAS S.A.

C/Cormoranes 6 Y 8
Poligono Ind. La Estación
28320 Pinto (Madrid), Spain
Phone +34 916.923.630 - Fax +34 916.910.818
e-mail: marketing@ebara.es

EBARA Pumps Europe S.p.A. FRANCE

555, Rue Juliette Recamier
69970 Chaponnay, France
Phone +33 4 72769482 - Fax +33 805101071
e-mail: mktgfr@ebaraeurope.com

EBARA Pumps Europe S.p.A. GERMANY

Ferdinand-Porsche-Ring 7
63110 Rodgau-Jügesheim, Germany
Phone +49 (0) 6106-660 99-0
Fax +49 (0) 6106-660 99-45
e-mail: mktgde@ebaraeurope.com

EBARA POMPY POLSKA Sp. z o.o.

ul. Działkowa 115
02-234 Warszawa, Poland
Phone +48 22 3909920 - Fax +48 22 3909929
e-mail: mktgpl@ebaraeurope.com

EBARA Pumps Europe S.p.A. MIDDLE EAST

P.O. Box 54515
Dubai Airport Free Zone
Dubai, United Arab Emirates
Phone +971 4 609 1040 - Fax +971 4 609 1038
e-mail: mktgme@ebaraeurope.com

EBARA Pumps Europe S.p.A INDIA LIAISON OFFICE

Bhumiraj Costarica,
Room No. 1503, Sector -18,
Palm Beach Rd., Sanpada,
Navi Mumbai, Maharashtra, India
Phone +91 22 27812862/63/64
Fax +91 22 27812865
e-mail: mktgind@ebaraeurope.com

EBARA Pumps Europe S.p.A. RUSSIA

Phone +7 985 7672672
e-mail: mktgrus@ebaraeurope.com



EBARA Pumps Europe S.p.A.

Via Pacinotti, 32
36040 Brendola (Vicenza), Italy
Phone +39 0444 706811 - Fax +39 0444 405811
e-mail: marketing@ebaraeurope.com
www.ebaraeurope.com



EBARA Corporation

11-1, Haneda Asahi-cho, Ohta-ku,
Tokyo 144-8510
Japan
Phone +81 3 6275 7598 - Fax +81 3 5736 3193
www.ebara.com