



EBARA

DWC

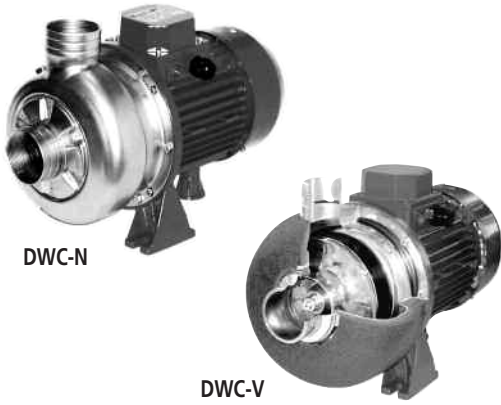
CLOSED IMPELLER CENTRIFUGAL ELECTRIC PUMPS

60 Hz



CLOSED IMPELLER CENTRIFUGAL ELECTRIC PUMPS

in AISI 304



Closed impeller centrifugal electric pumps in AISI 304 stainless steel.

-
-
-
-
- Threaded (DWC - N) and Victaulic connections (DWC - V) 가
- Insulation as per standard for the Victaulic version (DWC-V)

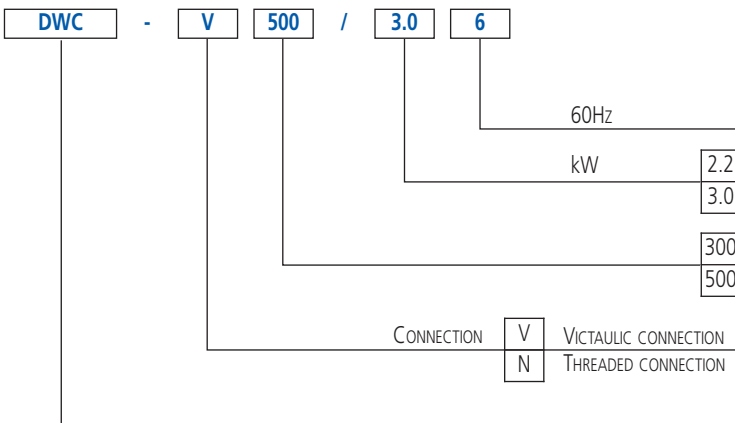
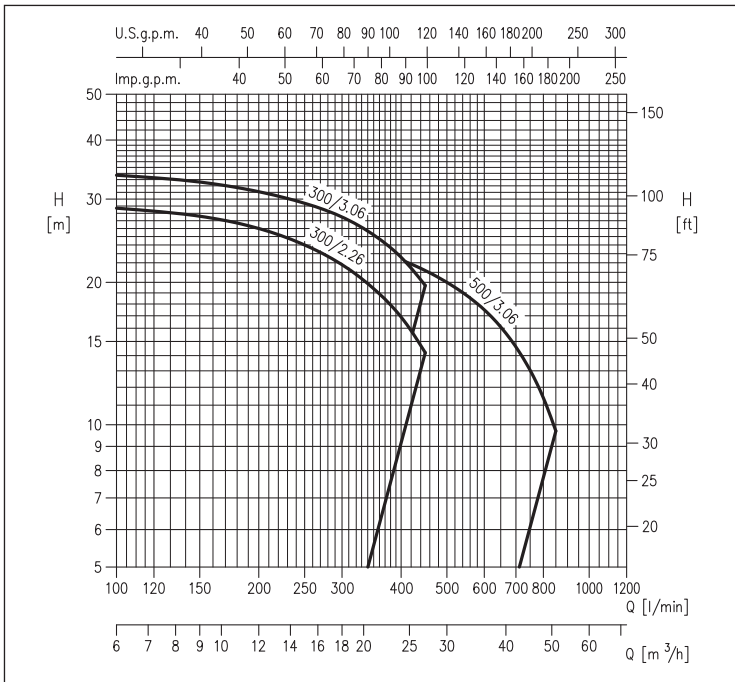
- : 8bar
- : -15°C +90°C
- 2
- : F
- : IP55
- 220/380-460V -6%+10%, 60Hz
- DWC - N : G2
- DWC - V : Ø2" (60.3 mm)

- Pump body, casing cover, impeller and shaft in AISI304
- Bracket and motor casing in aluminium
- Mechanical seal in:
 - Ceramic/Carbon/EPDM (standard)
 - Ceramic/Carbon/FPM (H version)
 - SiC/SiC/FPM (HS version)
 - Tungsten carbide/Tungsten carbide/FPM (HW version)

- (on request)
- DWC body insulation casing



(according to ISO 9906 Attachment A)



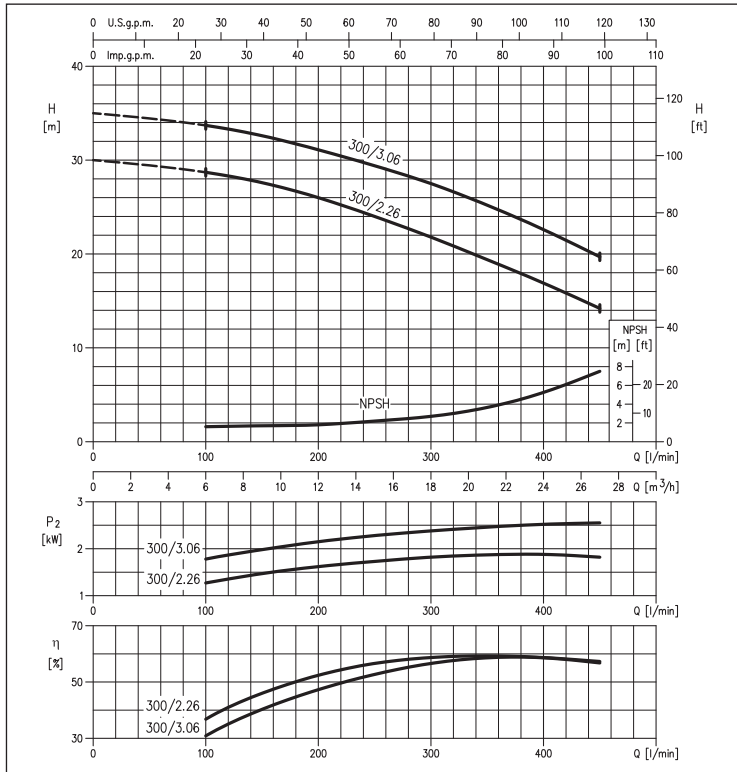
CLOSED IMPELLER CENTRIFUGAL ELECTRIC PUMPS

in AISI 304

| 220/380-460V | P ₂ | | Q= | | | | | | | | | | | | | |
|--------------|----------------|------|----------------------------|----------|----------|-----------|-----------|-----------|-----------|-----------|-----------|-----------|-----------|-----------|-----------|-----------|
| | [HP] | [kW] | l/min m ³ /h | 100 6 | 150 9 | 200 12 | 250 15 | 300 18 | 350 21 | 400 24 | 450 27 | 500 30 | 600 36 | 700 42 | 800 48 | 850 51 |
| DWC 300/2.26 | 3 | 2,2 | | 28,7 | 27,6 | 26,0 | 24,0 | 21,8 | 19,4 | 16,9 | 14,2 | - | - | - | - | - |
| DWC 300/3.06 | 4 | 3 | | 33,7 | 32,6 | 31,1 | 29,4 | 27,5 | 25,2 | 22,6 | 19,7 | - | - | - | - | - |
| DWC 500/3.06 | 4 | 3 | | - | - | 25,8 | 25,1 | 24,3 | 23,3 | 22,3 | 21,2 | 20,0 | 17,5 | 14,6 | 11,4 | 9,7 |

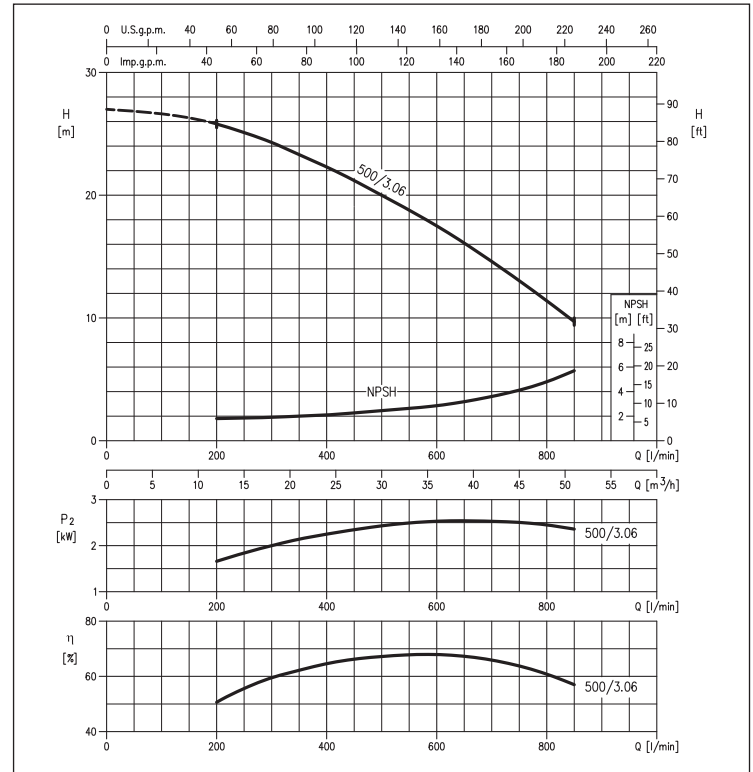
DWC 300 range

(according to ISO 9906 Attachment A)



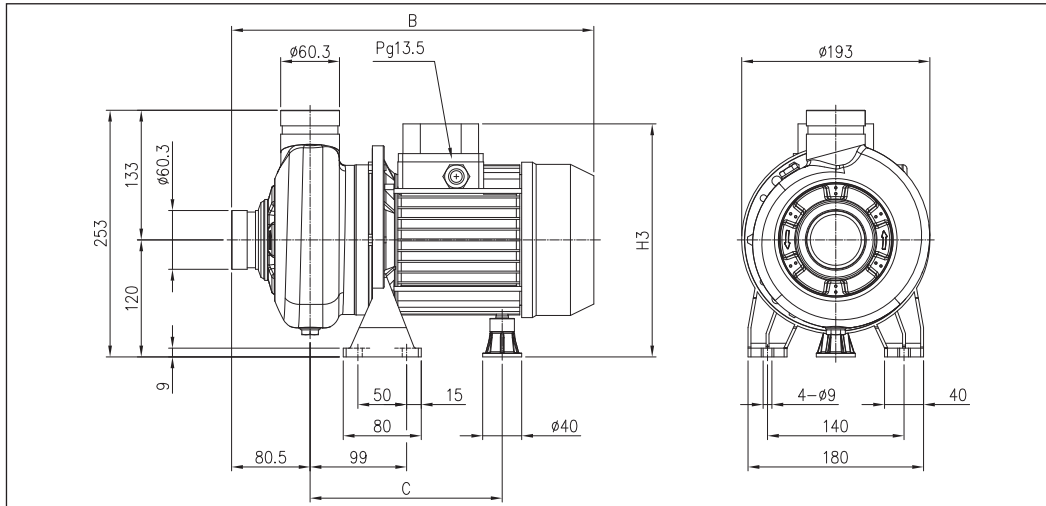
DWC 500

(according to ISO 9906 Attachment A)



DWC-V

(VICTAULIC CONNECTION)



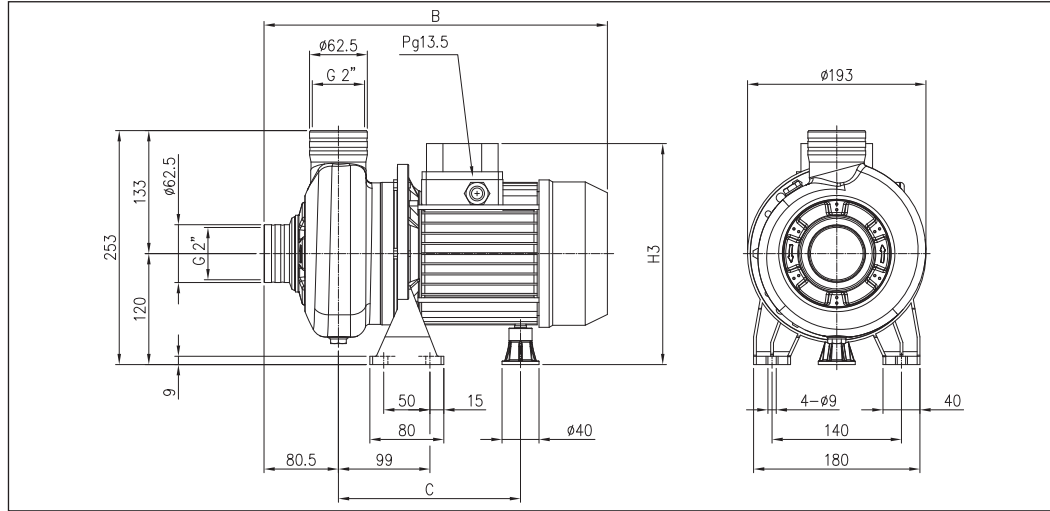
| | B | C [mm] | H3 | [kg] |
|----------------|-----|---------|-----|------|
| DWC-V 300/2.26 | 418 | 230÷241 | 244 | 19,7 |
| DWC-V 300/3.06 | 457 | 230÷241 | 244 | 21,5 |
| DWC-V 500/3.06 | 457 | 230÷241 | 244 | 22,3 |

CLOSED IMPELLER CENTRIFUGAL ELECTRIC PUMPS

in AISI 304

DWC-N

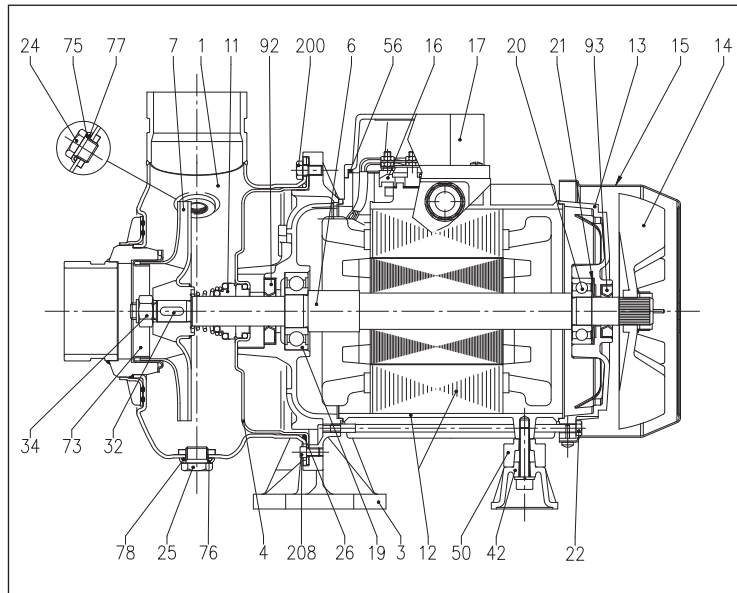
(THREADED CONNECTION)



| | [mm] | | | [kg] |
|----------------|------|---------|-----|------|
| | B | C | H3 | |
| DWC-N 300/2.26 | 418 | 230±241 | 244 | 19,7 |
| DWC-N 300/3.06 | 457 | 230±241 | 244 | 21,5 |
| DWC-N 500/3.06 | 457 | 230±241 | 244 | 22,3 |

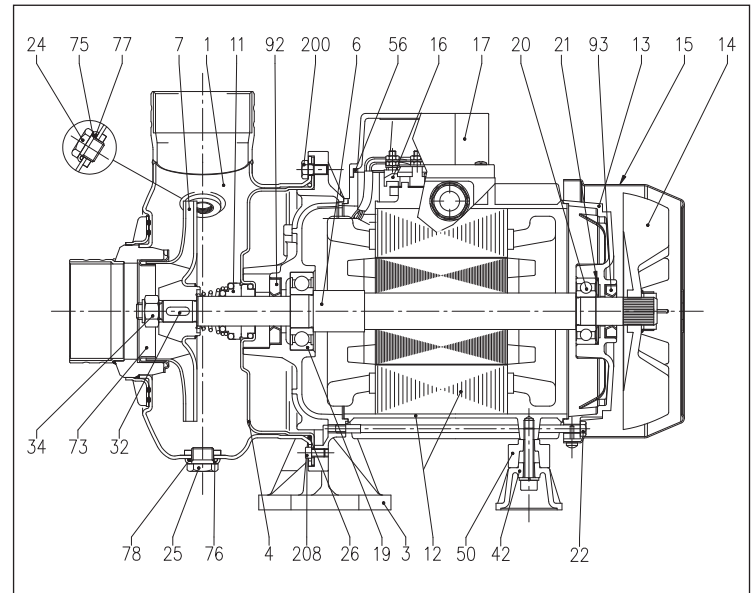
DWC-V

(VICTAULIC CONNECTION)



DWC-N

(THREADED CONNECTION)

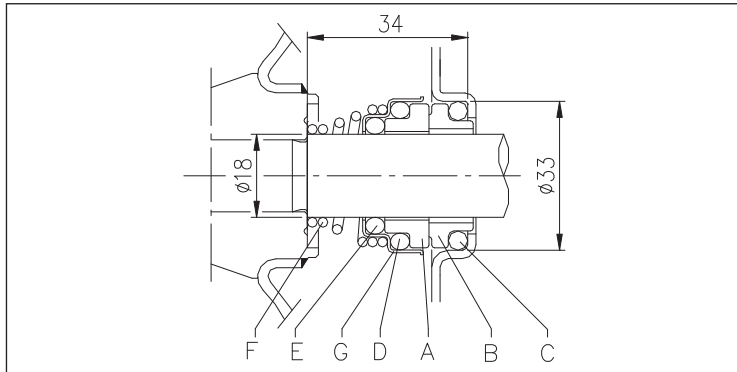


| Ref. | | Ref. | |
|------|-------------------------|------|-------------------|
| 001 | Pump body | 025 | Drain plug |
| 003 | Motor bracket | 026 | O-Ring |
| 004 | Casing cover | 032 | Key |
| 006 | Shaft | 034 | Impeller nut |
| 007 | Impeller | 042 | Foot |
| 011 | Mechanical seal | 050 | Spacer |
| 012 | Motor frame with stator | 056 | Box gasket |
| 013 | Motor cover | 073 | Casing ring |
| 014 | Fan | 075 | Washer |
| 015 | Fan cover | 076 | Washer |
| 016 | Terminal board | 077 | O-Ring |
| 017 | Terminal board cover | 078 | O-Ring |
| 019 | Bearing (pump side) | 092 | Lip seal |
| 020 | Bearing (motor side) | 093 | Lip seal |
| 021 | Adjusting ring | 200 | Screw (pump body) |
| 022 | Tie-rod | 208 | Screw |
| 024 | Priming plug | | |

CLOSED IMPELLER CENTRIFUGAL ELECTRIC PUMPS

in AISI 304

DWC standard



| Ref. | | |
|------|-----------------|----------|
| A | Rotating part | Ceramic |
| B | Fixed part | Carbon |
| C | O-Ring | EPDM |
| D | O-Ring | EPDM |
| E | O-Ring | EPDM |
| F | Spring | AISI 316 |
| G | Structure/frame | AISI 304 |

(on request)

| Name | H version | HS version | HW version |
|-----------------|-----------|------------|------------------|
| Fixed Part | Carbon | SiC | Tungsten Carbide |
| Rotating Part | Ceramic | SiC | Tungsten Carbide |
| Elastomers | FPM | FPM | FPM |
| Spring | AISI 316 | AISI 316 | AISI 316 |
| Structure/Frame | AISI 304 | AISI 316 | AISI 304 |

| 220/380-460V | P ₂ | | P ₁ | Absorbed Current [A] | | |
|--------------|----------------|------|----------------|----------------------|------|------|
| | [HP] | [kW] | | [kW] | 220V | 380V |
| DWC 300/2.26 | 3 | 2,2 | 2,9 | 7,0 | 4,1 | 4,1 |
| DWC 300/3.06 | 4 | 3 | 3,9 | 10,5 | 6,1 | 5,6 |
| DWC 500/3.06 | 4 | 3 | 3,9 | 10,5 | 6,1 | 5,6 |



EBARA

