



**EBARA**

# 3-3L SERIES

CENTRIFUGAL ELECTRIC PUMPS STANDARDISED IN COMPLIANCE WITH EN 733  
(EX DIN 24255)

**60 Hz**



# 3 - 3L SERIES

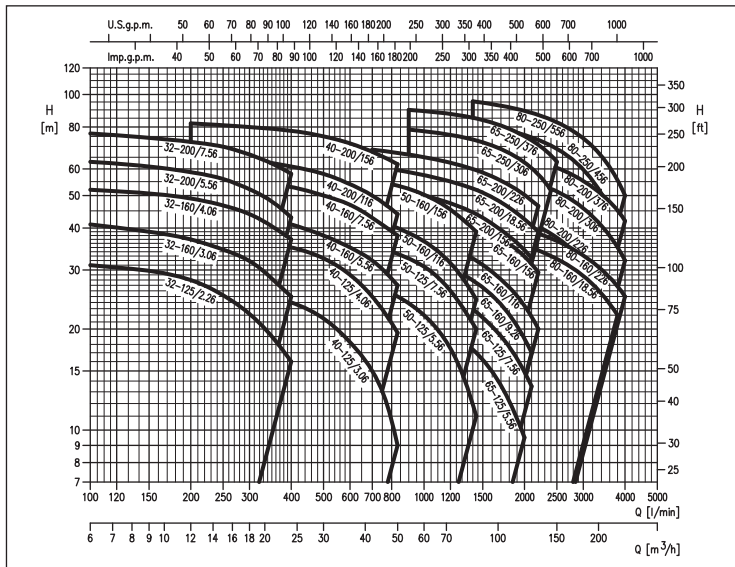
CENTRIFUGAL ELECTRIC PUMPS STANDARDISED IN COMPLIANCE WITH EN 733 (EX DIN 24255)

Standardised centrifugal electric pumps built in stainless steel AISI 304 (3 SERIES) and AISI 316L (3L SERIES).



## 3 SERIES

at 2900 min<sup>-1</sup> (according to ISO 9906 Attachment A)



- 가
- ,
- 
- 
- 
- 
- 
- 
- 
- EBARA
- : 10bar
- :
- -10°C ÷ +90°C
- -10°C ÷ +110°C (L-H-HS-HW-HSW-E )
- -10°C ÷ +120°C (ES )
- 2
- F ( B)
- : IP 55
- 220/380-460V ±10% (4kW ) , 60Hz for 3(L)M SERIES,
- 380-460/660V ±10% (5,5kW ) , 60Hz for 3(L)M SERIES,
- 265/460V ±10% (4kW ) , 60Hz for 3(L)S-3(L)P SERIES
- 460V ±10% (5,5 kW ) , 60Hz for 3(L)S - 3(L)P SERIES
- Pump casing and casing cover in:
  - AISI 304 for 3 SERIES 32-125/160/200
  - 40-125/160/200
  - 50-125/160
  - 65-125/160/200
  - AISI 316L for 3L SERIES 32-125/160/200
  - 40-125/160/200
  - 50-125/160
  - 65-125/160/200
  - AISI 316 microcasted for 3L SERIES 65-250
  - 80-160/200/250
- Impeller in:
  - AISI 304 for 3 SERIES 32-125/160/200
  - 40-125/160/200
  - 50-125/160
  - AISI 316L for 3L SERIES 32-125/160/200
  - 40-125/160/200
  - 50-125/160
  - AISI 316 microcasted for 3 SERIES 65-125/160/200
  - 3L SERIES 65-125/160/200
  - 65-250
  - 80-160/200/250
- Mechanical seal standard in:
  - Carbon/Ceramic/NBR for 3 SERIES 32-125/160/200
  - 40-125/160/200
  - 50-125/160
  - 65-125/160/200
  - SiC/SiC/FPM for 3L SERIES 32-125/160/200
  - 40-125/160/200
  - 50-125/160
  - 65-125/160/200/250
  - 80-160/200/250
- Special mechanical seals available on request
- (On request)
- Counter-flanges available in the following materials:
  - galvanised
  - AISI 304
  - AISI 316

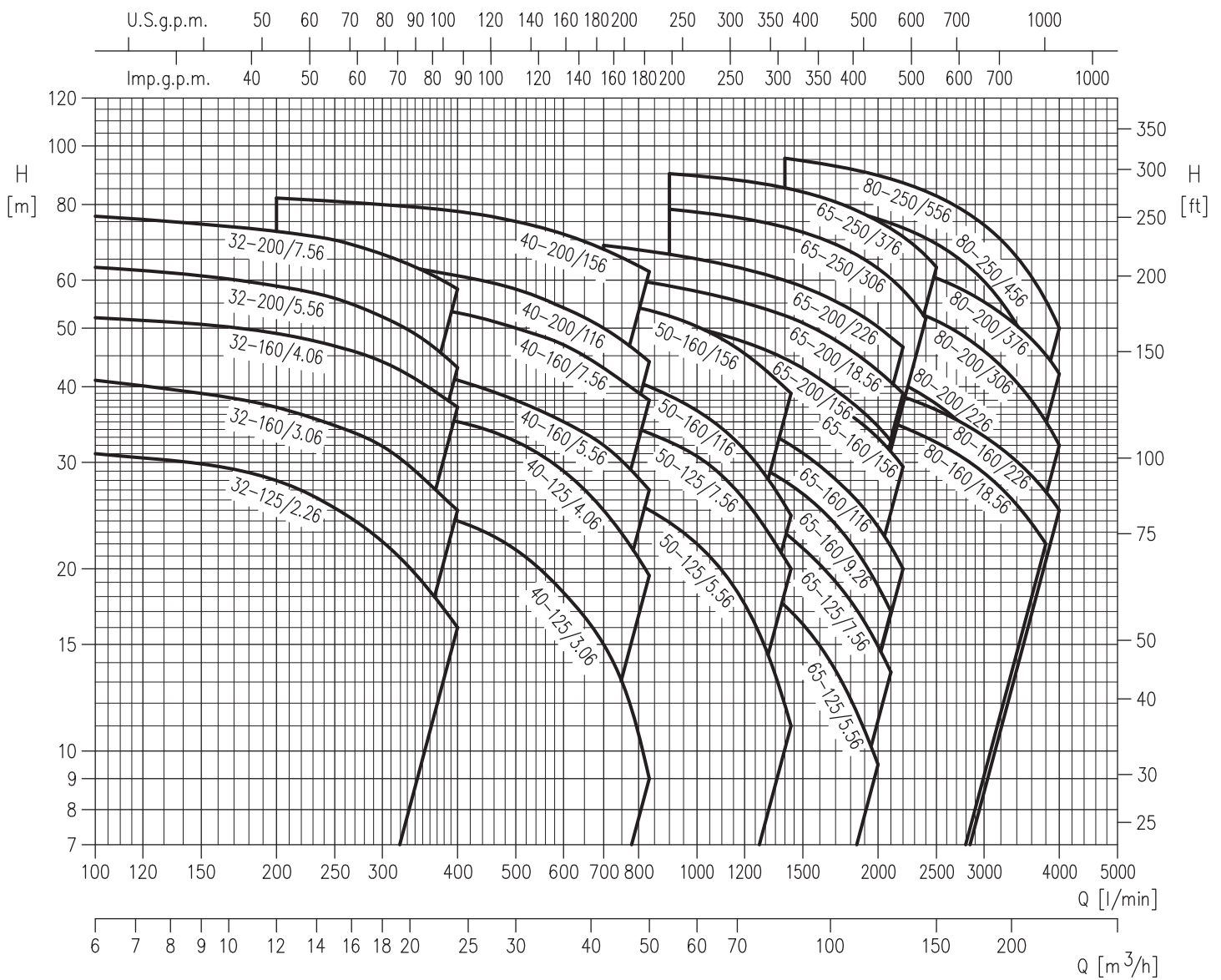


# 3 - 3L SERIES

CENTRIFUGAL ELECTRIC PUMPS STANDARDISED IN COMPLIANCE WITH EN 733  
(EX DIN 24255)

3 SERIES

at 2900 min<sup>-1</sup> (according to ISO 9906 Attachment A)

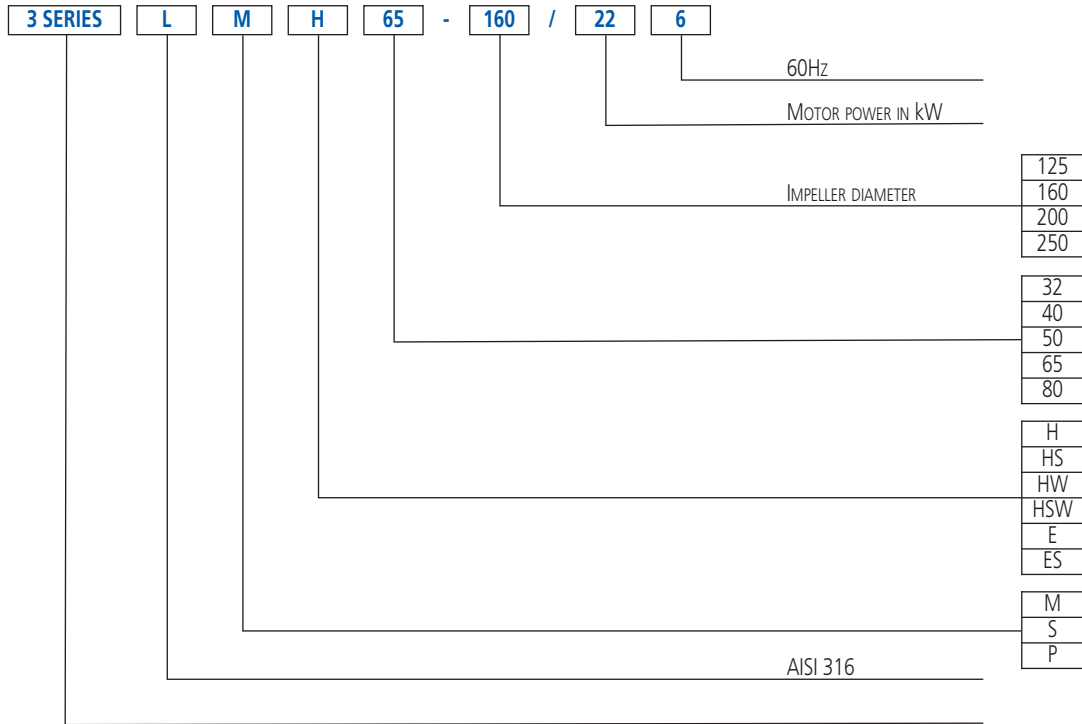


The contents of this publication must not be regarded as binding. EBARA Pumps Europe S.p.A. reserves the right to effect any modification it deems necessary, without prior notice.



# 3 - 3L SERIES

CENTRIFUGAL ELECTRIC PUMPS STANDARDISED IN COMPLIANCE WITH EN 733  
(EX DIN 24255)



		3M	3S	3P	3LM	3LS	3LP
32-125	✓	✓	✓	✓	✓	✓	✓
32-160	✓	✓	✓	✓	✓	✓	✓
32-200	✓	✓	✓	✓	✓	✓	✓
40-125	✓	✓	✓	✓	✓	✓	✓
40-160	✓	✓	✓	✓	✓	✓	✓
40-200	✓	✓	✓	✓	✓	✓	✓
50-125	✓	✓	✓	✓	✓	✓	✓
50-160	✓	✓	✓	✓	✓	✓	✓
65-125	✓	✓	✓	✓	✓	✓	✓
65-160	✓	✓	✓	✓	✓	✓	✓
65-200	✓	✓	✓	✓	✓	✓	✓
65-250	-	-	-	-	-	•	•
80-160	-	-	-	-	•	•	•
80-200	-	-	-	-	-	•	•
80-250	-	-	-	-	-	•	•

✓ = Models also available in H-HS-HW-HSW version for 32, 40, 50, 65-125/160/200  
 • = Models also available in H-HW-HSW-E version for 65-250, 80 and in ES version for 80-250 Ø35

The contents of this publication must not be regarded as binding. EBARA Pumps Europe S.p.A. reserves the right to effect any modification it deems necessary without prior notice.



# 3 - 3L SERIES

CENTRIFUGAL ELECTRIC PUMPS STANDARDISED IN COMPLIANCE WITH EN 733  
(EX DIN 24255)

## 32-40-50

	P <sub>2</sub>		l/min m <sup>3</sup> /h	Q=													
	[HP]	[kW]		100 6	150 9	200 12	250 15	300 18	350 21	400 24	500 30	600 36	700 42	833 50	1000 60	1200 72	1433 86
				H= [m]													
3(.) SERIES 32-125/2.26	3	2,2	31,4	30,4	28,6	26,1	23,3	20,2	17,0	-	-	-	-	-	-	-	-
3(.) SERIES 32-160/3.06	4	3	41,0	39,6	37,8	35,4	32,5	29,4	26,0	-	-	-	-	-	-	-	-
3(.) SERIES 32-160/4.06	5,5	4	51,5	50,5	48,5	46,5	43,5	40,0	36,6	-	-	-	-	-	-	-	-
3(.) SERIES 32-200/5.56	7,5	5,5	62,5	61,0	59,0	56,0	53,0	48,5	44,0	-	-	-	-	-	-	-	-
3(.) SERIES 32-200/7.56	10	7,5	76,0	74,5	72,5	69,5	66,0	62,0	57,0	-	-	-	-	-	-	-	-
3(.) SERIES 40-125/3.06	4	3	-	-	28,2	27,7	27,0	26,1	24,9	22,3	19,1	15,4	10,0	-	-	-	-
3(.) SERIES 40-125/4.06	5,5	4	-	-	37,2	36,8	36,0	35,1	34,0	31,6	28,6	25,2	20,0	-	-	-	-
3(.) SERIES 40-160/5.56	7,5	5,5	-	-	44,0	43,5	42,5	41,5	40,0	37,2	34,0	30,7	26,2	-	-	-	-
3(.) SERIES 40-160/7.56	10	7,5	-	-	56,0	55,5	54,5	53,5	52,0	49,0	46,0	42,5	38,0	-	-	-	-
3(.) SERIES 40-200/11.16	15	11	-	-	66,5	66,0	65,0	63,5	62,0	58,5	55,0	51,0	45,0	-	-	-	-
3(.) SERIES 40-200/15.6	20	15	-	-	82,0	81,5	80,5	79,5	78,0	75,0	71,5	67,5	62,0	-	-	-	-
3(.) SERIES 50-125/5.56	7,5	5,5	-	-	-	-	-	-	-	30,0	29,2	28,0	26,0	22,8	18,4	12,6	-
3(.) SERIES 50-125/7.56	10	7,5	-	-	-	-	-	-	-	36,5	35,7	34,6	32,7	29,7	25,3	19,5	-
3(.) SERIES 50-160/11.16	15	11	-	-	-	-	-	-	-	46,0	45,0	43,5	41,0	37,4	32,4	25,8	-
3(.) SERIES 50-160/15.6	20	15	-	-	-	-	-	-	-	56,0	55,5	54,0	52,0	49,0	45,0	39,0	-

## 65-80

	P <sub>2</sub>		l/min m <sup>3</sup> /h	Q=															
	[HP]	[kW]		600 36	700 42	900 54	1200 72	1400 84	1600 96	1800 108	2000 120	2100 126	2200 132	2400 144	2500 150	3100 186	3600 216	3800 228	4000 240
				H= [m]															
3(.) SERIES 65-125/5.56	7,5	5,5	25,7	24,9	22,9	19,6	17,2	14,8	12,2	9,5	-	-	-	-	-	-	-	-	-
3(.) SERIES 65-125/7.56	10	7,5	31,5	30,7	28,8	25,5	23,0	20,4	17,7	14,9	13,5	-	-	-	-	-	-	-	-
3(.) SERIES 65-160/9.26	12,5	9,2	-	35,5	33,6	30,3	27,9	25,2	22,1	18,7	17,0	-	-	-	-	-	-	-	-
3(.) SERIES 65-160/11.16	15	11	-	40,5	38,5	35,0	32,4	29,6	26,6	23,5	21,8	20,0	-	-	-	-	-	-	-
3(.) SERIES 65-160/15.6	20	15	-	48,5	47,0	43,5	41,5	38,7	35,9	32,9	31,3	29,5	-	-	-	-	-	-	-
3(.) SERIES 65-200/15.6	20	15	-	53,5	51,5	47,5	44,5	41,0	37,8	34,4	32,5	-	-	-	-	-	-	-	-
3(.) SERIES 65-200/18.56	25	18,5	-	61,0	59,0	55,0	52,5	49,5	46,0	42,5	40,5	39,0	-	-	-	-	-	-	-
3(.) SERIES 65-200/22.6	30	22	-	68,5	66,5	62,5	60,0	57,0	53,5	50,0	48,5	46,5	-	-	-	-	-	-	-
3(.) SERIES 65-250/30.6	40	30	-	-	78,5	76,0	73,5	70,5	67,0	62,5	60,5	58,0	52,0	-	-	-	-	-	-
3(.) SERIES 65-250/37.6	50	37	-	-	90,0	87,5	85,0	82,5	79,0	75,0	73,0	71,0	66,0	63,0	-	-	-	-	-
3(.) SERIES 80-160/18.56	25	18,5	-	-	-	-	38,8	37,9	36,8	35,6	35,0	34,3	33,0	32,4	28,1	23,8	22,0	-	-
3(.) SERIES 80-160/22.6	30	22	-	-	-	-	42,5	42,0	41,0	39,7	39,0	38,5	37,3	36,6	32,4	28,5	26,9	25,0	-
3(.) SERIES 80-200/22.6	30	22	-	-	-	-	47,0	45,5	44,0	42,5	41,5	40,5	38,5	37,5	30,5	24,0	-	-	-
3(.) SERIES 80-200/30.6	40	30	-	-	-	-	60,0	59,0	57,5	56,0	55,0	54,0	52,5	51,5	44,5	37,9	35,1	32,0	-
3(.) SERIES 80-200/37.6	50	37	-	-	-	-	68,5	67,5	66,0	64,5	64,0	63,0	61,5	60,5	54,0	48,0	45,0	42,0	-
3(.) SERIES 80-250/45.6	60	45	-	-	-	-	82,0	80,0	78,0	75,5	74,5	73,0	70,5	69,0	57,5	45,5	40,0	-	-
3(.) SERIES 80-250/55.6	75	55	-	-	-	-	95,5	93,5	91,5	89,5	88,0	87,0	84,0	82,5	72,0	61,0	55,5	50,0	-

The contents of this publication must not be regarded as binding. EBARA Pumps Europe S.p.A. reserves the right to effect any modification it deems necessary, without prior notice.

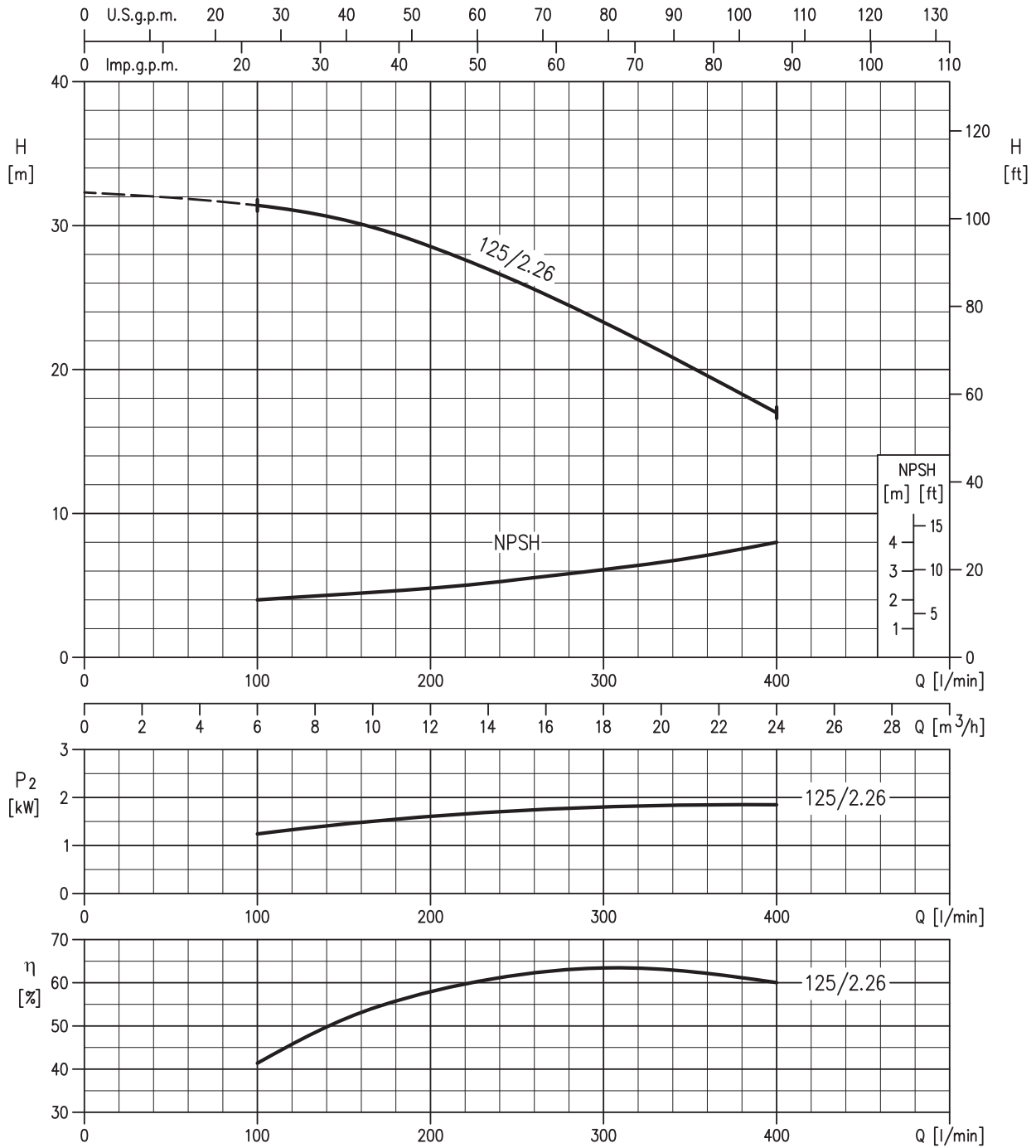


# 3 - 3L SERIES

CENTRIFUGAL ELECTRIC PUMPS STANDARDISED IN COMPLIANCE WITH EN 733 (EX DIN 24255)

3(L)M-3(L)S-3(L)P SERIES 32-125

at 2900 min<sup>-1</sup> (according to ISO 9906 Attachment A)



The contents of this publication must not be regarded as binding. EBARA Pumps Europe S.p.A. reserves the right to effect any modification it deems necessary without prior notice.

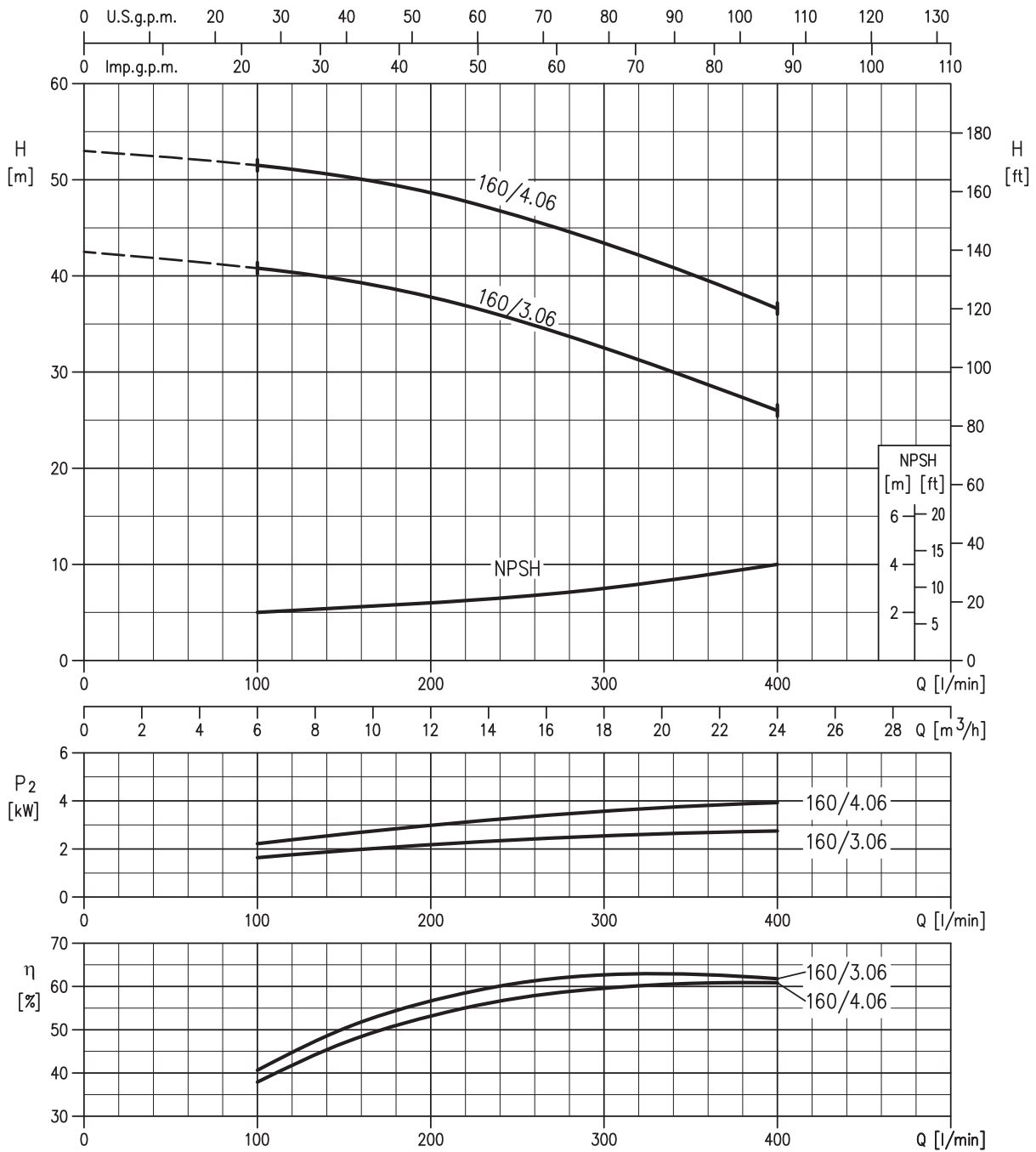


# 3 - 3L SERIES

CENTRIFUGAL ELECTRIC PUMPS STANDARDISED IN COMPLIANCE WITH EN 733  
(EX DIN 24255)

3(L)M-3(L)S-3(L)P SERIES 32-160

at 2900 min<sup>-1</sup> (according to ISO 9906 Attachment A)



The contents of this publication must not be regarded as binding. EBARA Pumps Europe S.p.A. reserves the right to effect any modification it deems necessary without prior notice.

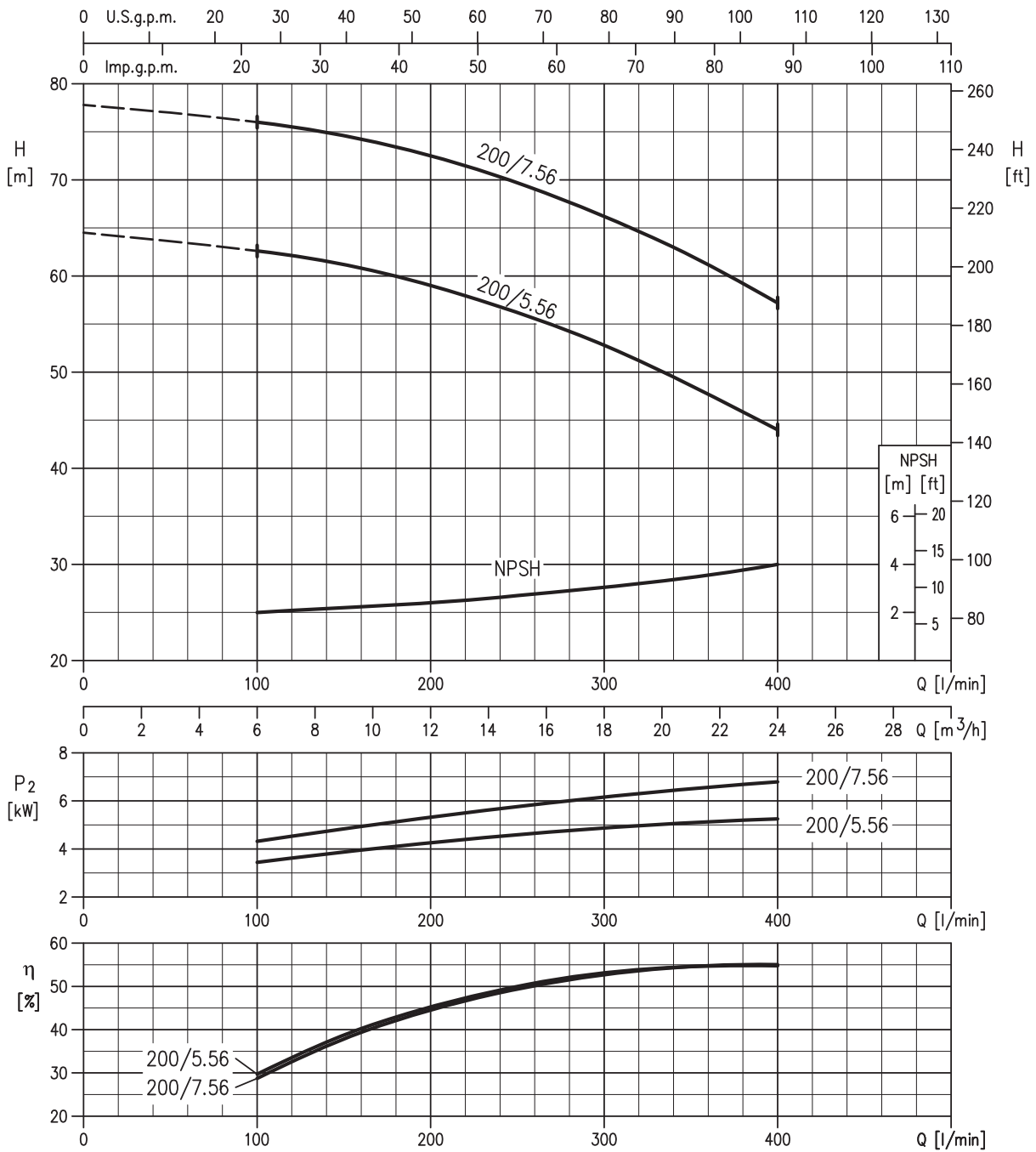


# 3 - 3L SERIES

CENTRIFUGAL ELECTRIC PUMPS STANDARDISED IN COMPLIANCE WITH EN 733  
(EX DIN 24255)

3(L)M-3(L)S-3(L)P SERIES 32-200

at 2900 min<sup>-1</sup> (according to ISO 9906 Attachment A)



The contents of this publication must not be regarded as binding. EBARA Pumps Europe S.p.A. reserves the right to effect any modification it deems necessary without prior notice.



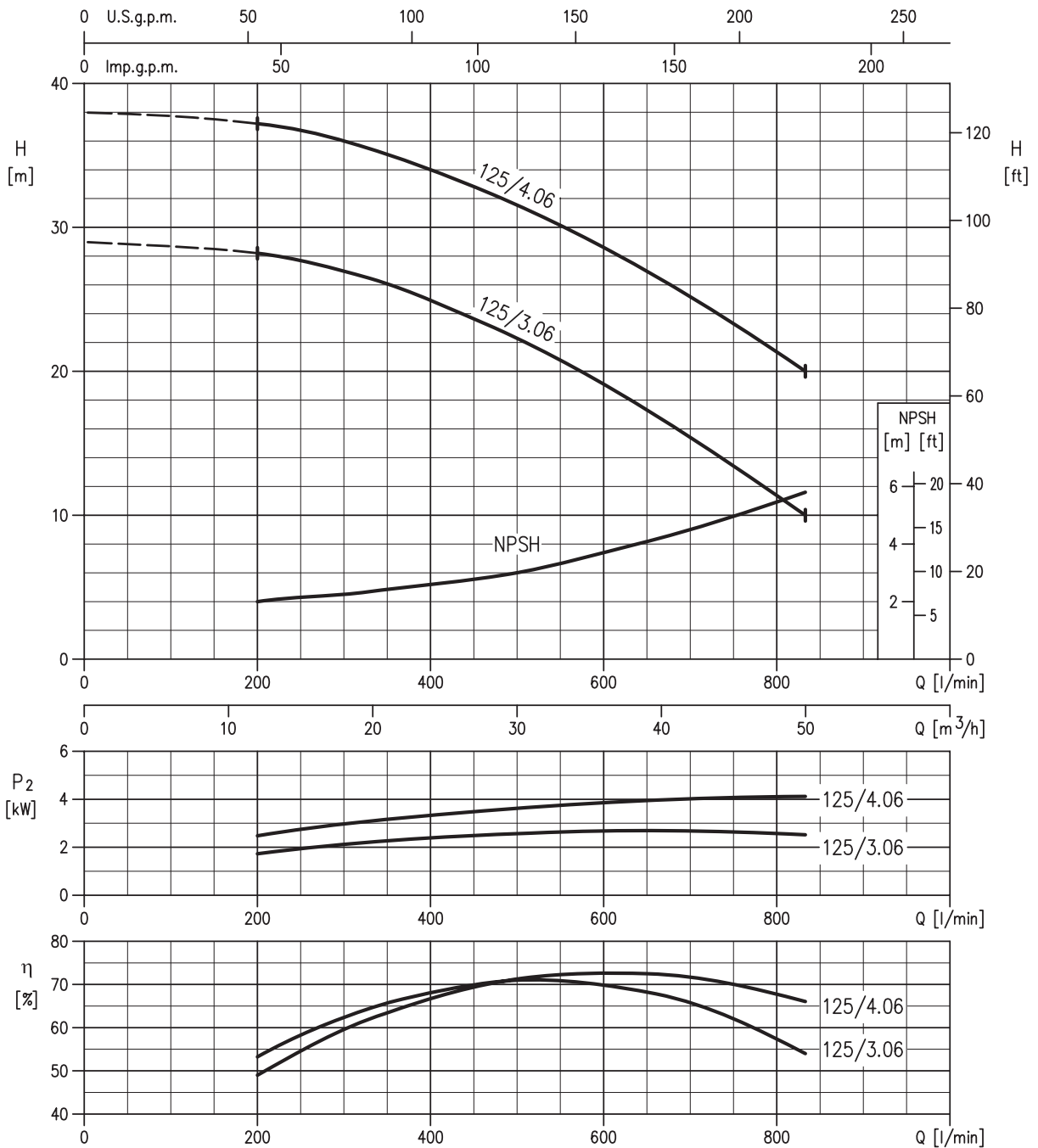


# 3 - 3L SERIES

CENTRIFUGAL ELECTRIC PUMPS STANDARDISED IN COMPLIANCE WITH EN 733  
(EX DIN 24255)

3(L)M-3(L)S-3(L)P SERIES 40-125

at 2900 min<sup>-1</sup> (according to ISO 9906 Attachment A)



The contents of this publication must not be regarded as binding. EBARA Pumps Europe S.p.A. reserves the right to effect any modification it deems necessary without prior notice.

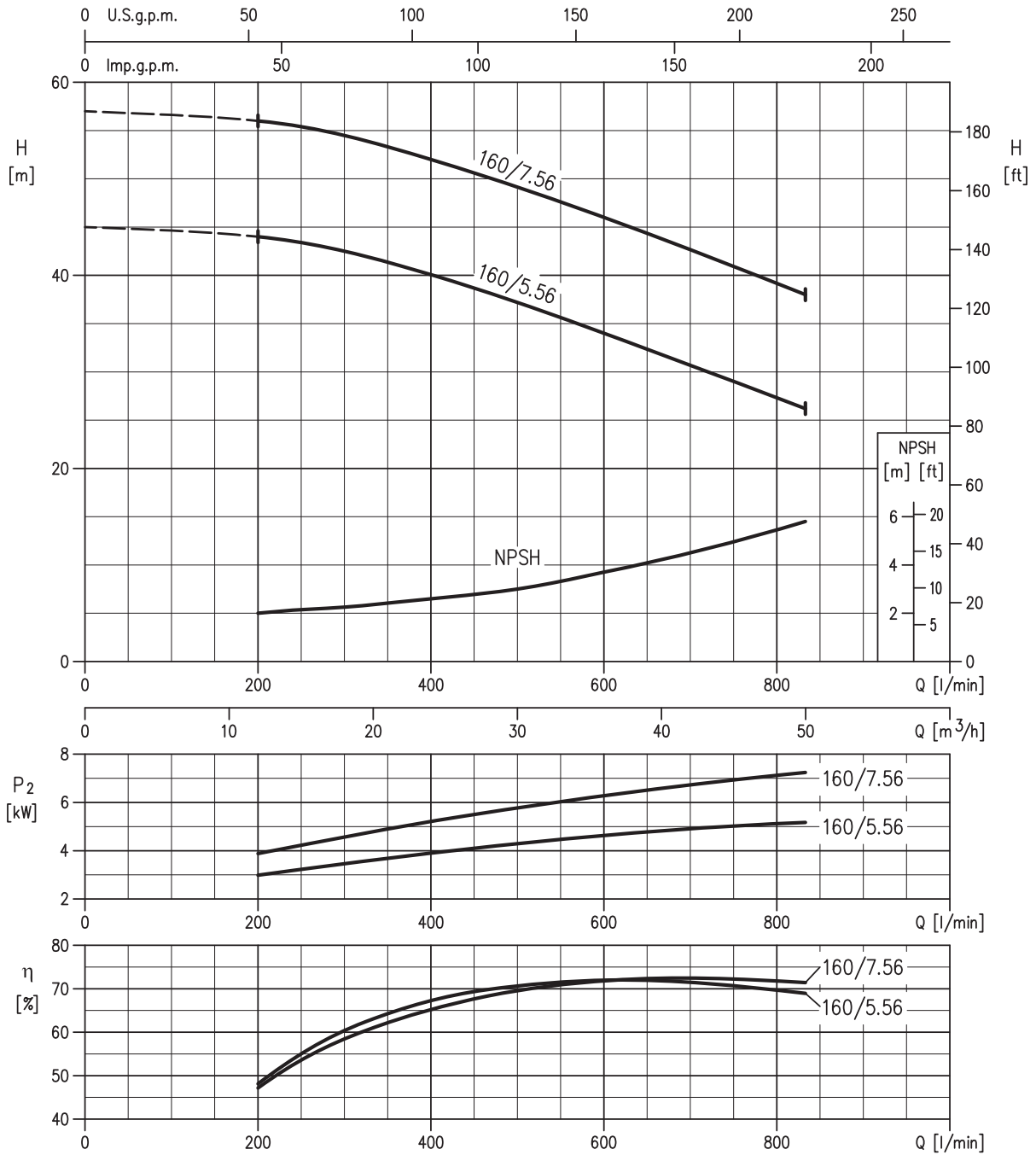


# 3 - 3L SERIES

CENTRIFUGAL ELECTRIC PUMPS STANDARDISED IN COMPLIANCE WITH EN 733 (EX DIN 24255)

3(L)M-3(L)S-3(L)P SERIES 40-160

at 2900 min<sup>-1</sup> (according to ISO 9906 Attachment A)



The contents of this publication must not be regarded as binding. EBARA Pumps Europe S.p.A. reserves the right to effect any modification it deems necessary without prior notice.

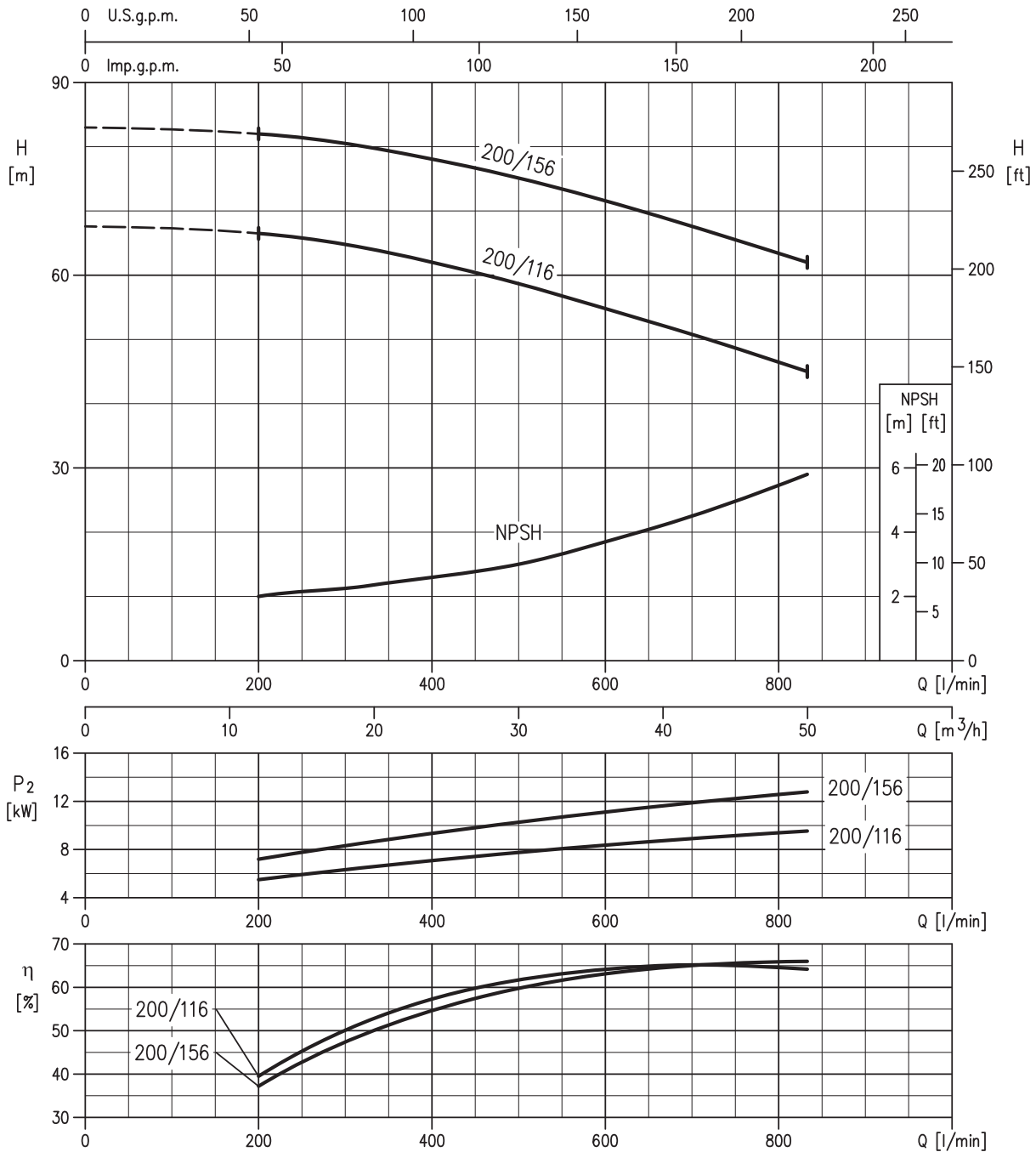


# 3 - 3L SERIES

CENTRIFUGAL ELECTRIC PUMPS STANDARDISED IN COMPLIANCE WITH EN 733  
(EX DIN 24255)

3(L)M-3(L)S-3(L)P SERIES 40-200

at 2900 min<sup>-1</sup> (according to ISO 9906 Attachment A)



The contents of this publication must not be regarded as binding. EBARA Pumps Europe S.p.A. reserves the right to effect any modification it deems necessary without prior notice.

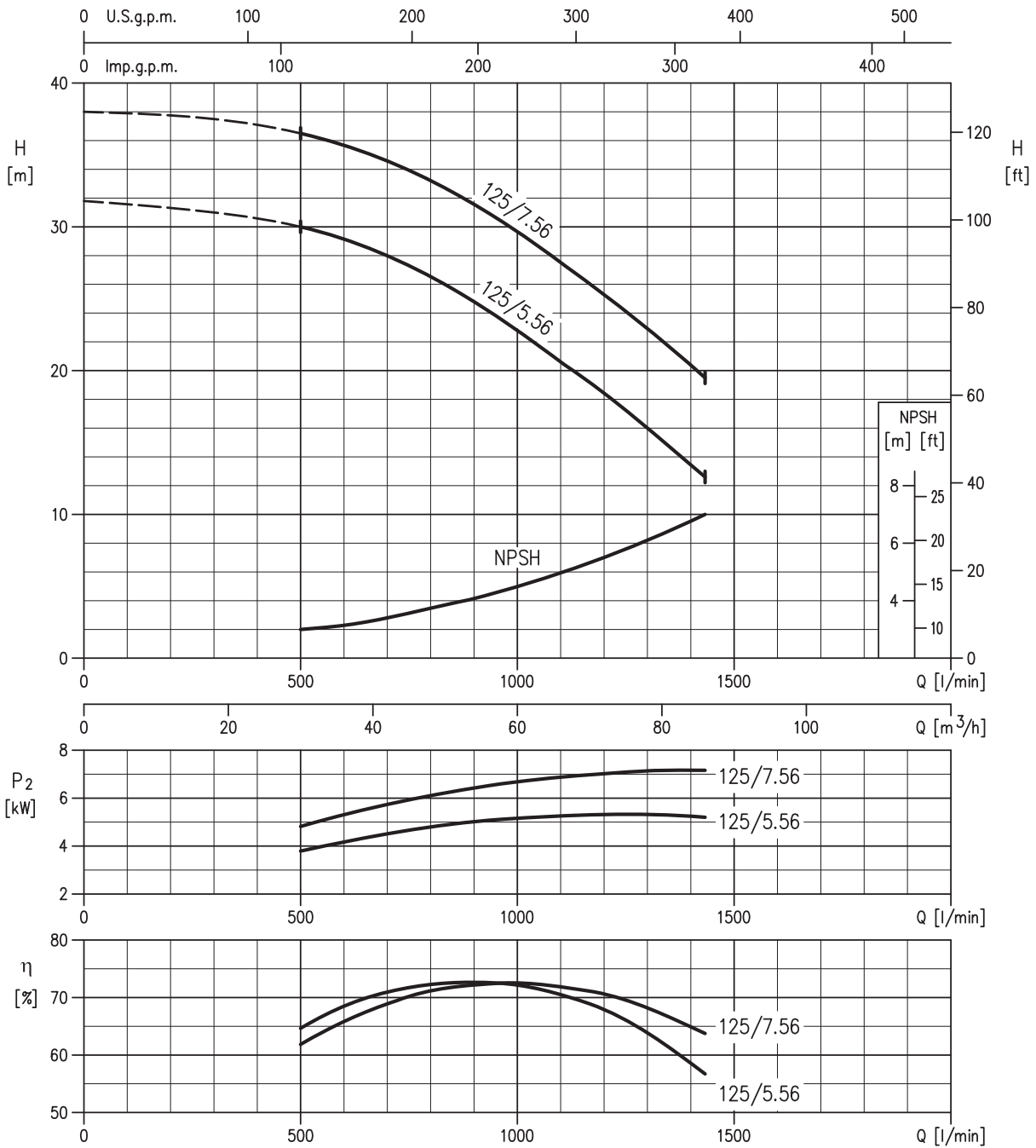


# 3 - 3L SERIES

CENTRIFUGAL ELECTRIC PUMPS STANDARDISED IN COMPLIANCE WITH EN 733  
(EX DIN 24255)

3(L)M-3(L)S-3(L)P SERIES 50-125

at 2900 min<sup>-1</sup> (according to ISO 9906 Attachment A)



The contents of this publication must not be regarded as binding. EBARA Pumps Europe S.p.A. reserves the right to effect any modification it deems necessary without prior notice.

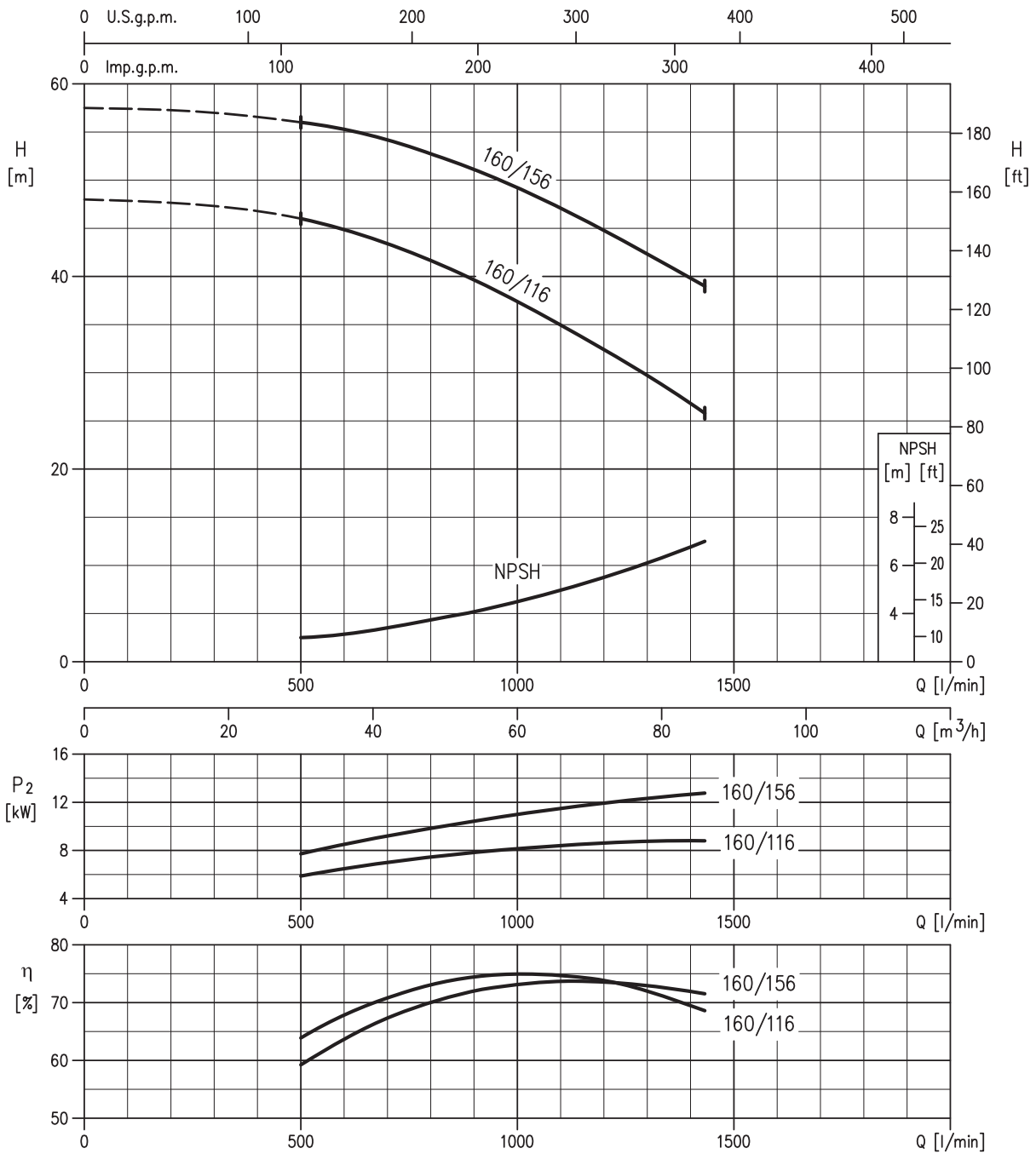


# 3 - 3L SERIES

CENTRIFUGAL ELECTRIC PUMPS STANDARDISED IN COMPLIANCE WITH EN 733  
(EX DIN 24255)

3(L)M-3(L)S-3(L)P SERIES 50-160

at 2900 min<sup>-1</sup> (according to ISO 9906 Attachment A)



The contents of this publication must not be regarded as binding. EBARA Pumps Europe S.p.A. reserves the right to effect any modification it deems necessary without prior notice.

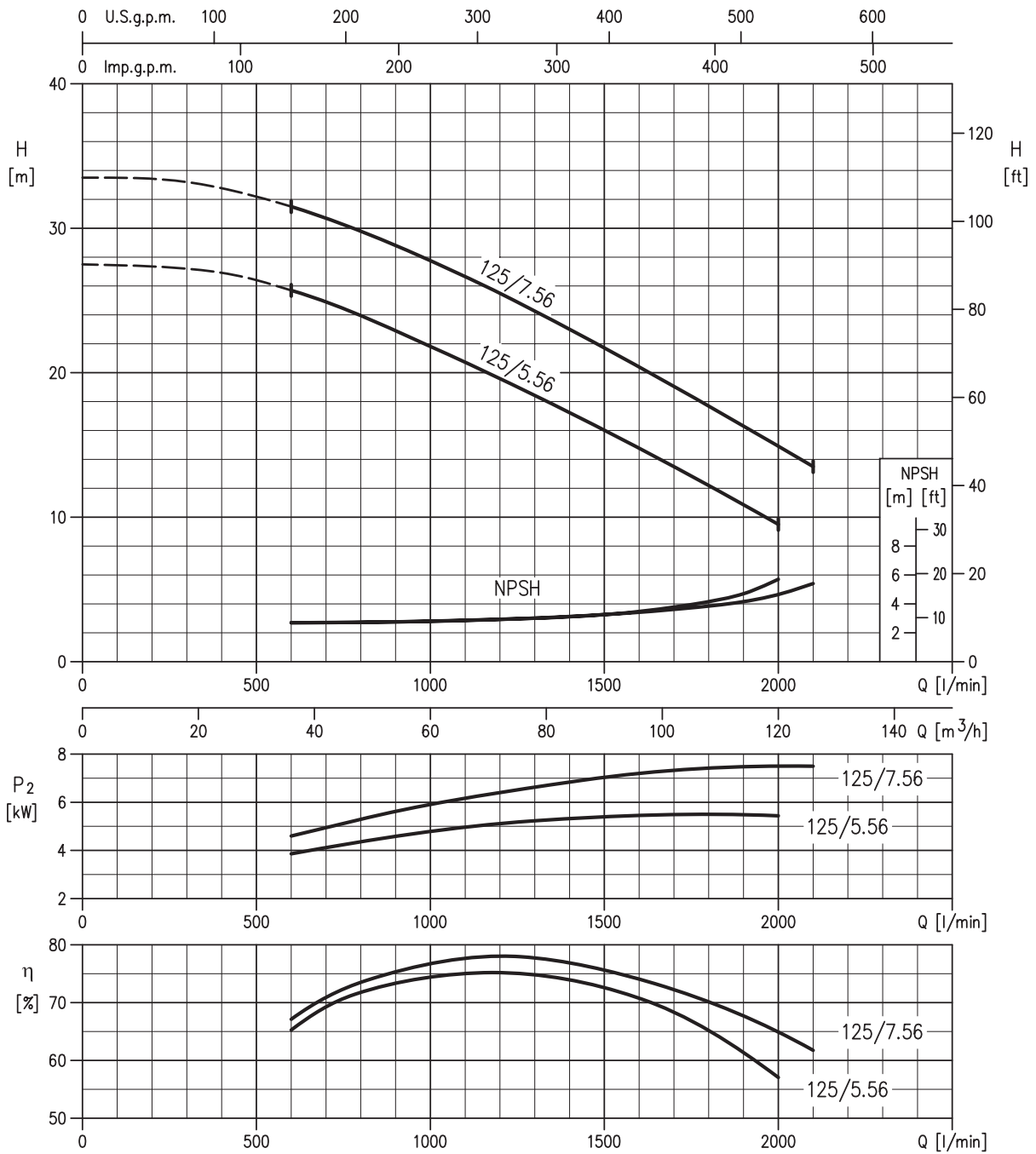


# 3 - 3L SERIES

CENTRIFUGAL ELECTRIC PUMPS STANDARDISED IN COMPLIANCE WITH EN 733  
(EX DIN 24255)

3(L)M-3(L)S-3(L)P SERIES 65-125

at 2900 min<sup>-1</sup> (according to ISO 9906 Attachment A)



The contents of this publication must not be regarded as binding. EBARA Pumps Europe S.p.A. reserves the right to effect any modification it deems necessary without prior notice.

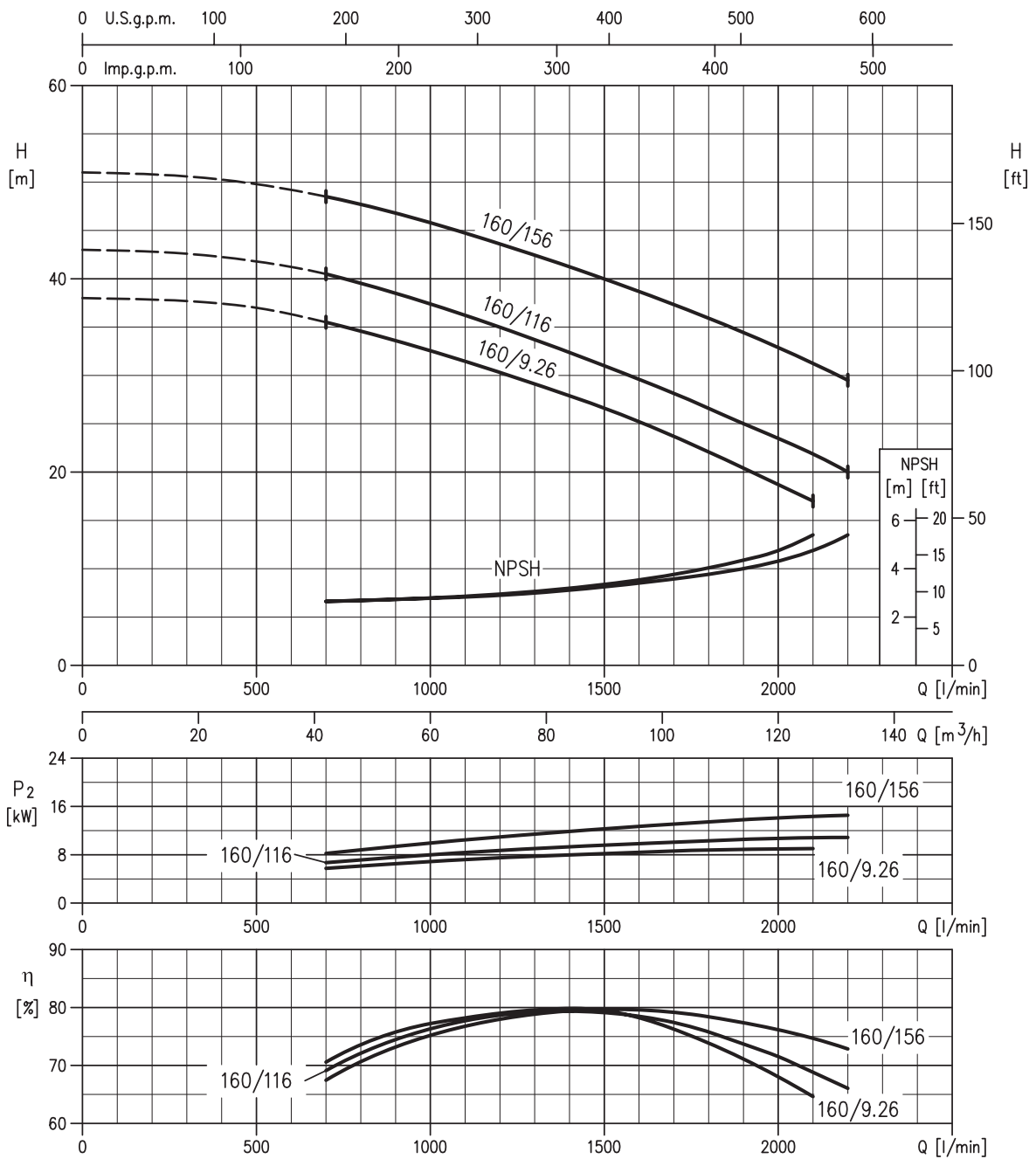


# 3 - 3L SERIES

CENTRIFUGAL ELECTRIC PUMPS STANDARDISED IN COMPLIANCE WITH EN 733  
(EX DIN 24255)

3(L)M-3(L)S-3(L)P SERIES 65-160

at 2900 min<sup>-1</sup> (according to ISO 9906 Attachment A)



The contents of this publication must not be regarded as binding. EBARA Pumps Europe S.p.A. reserves the right to effect any modification it deems necessary without prior notice.

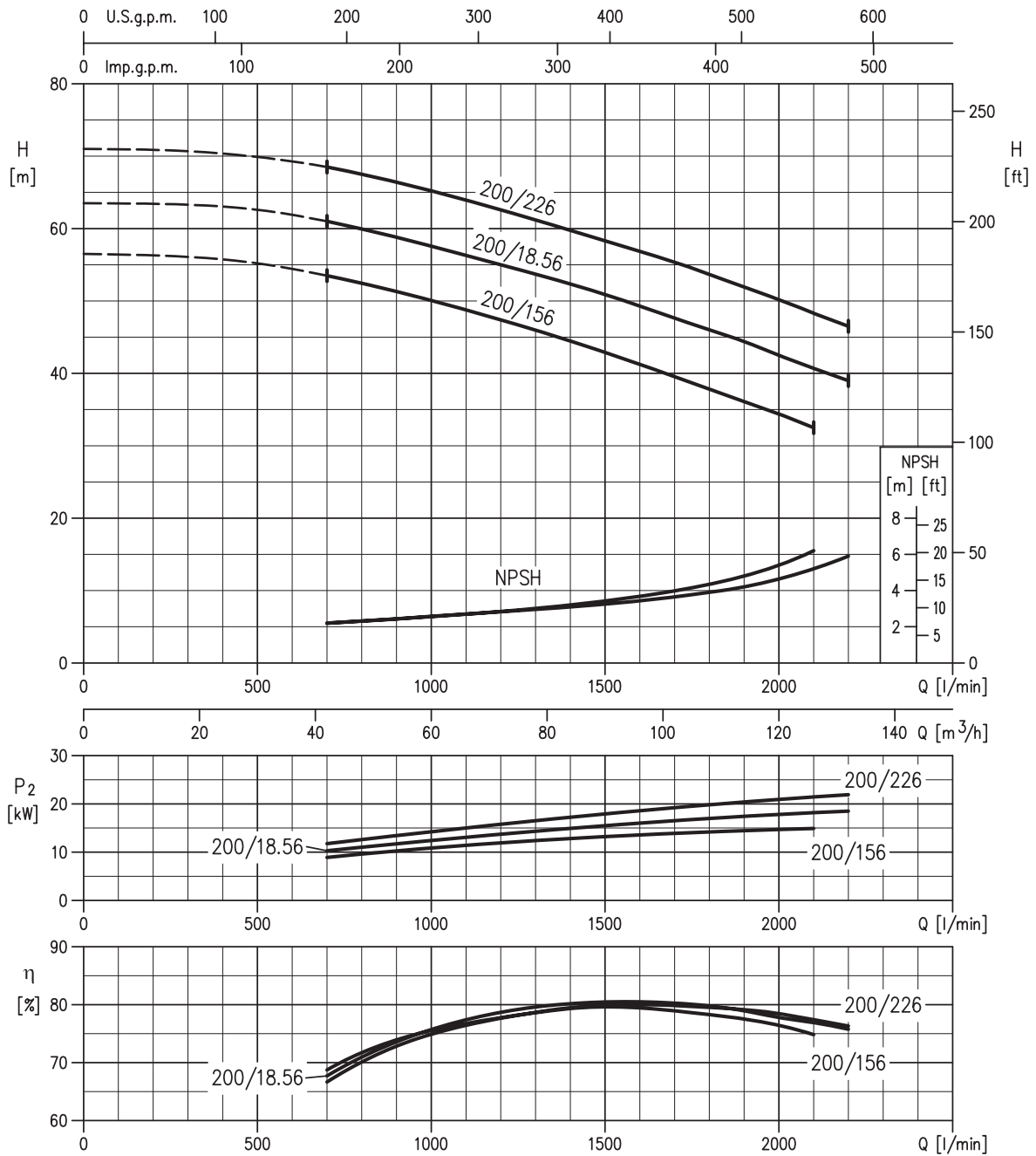


# 3 - 3L SERIES

CENTRIFUGAL ELECTRIC PUMPS STANDARDISED IN COMPLIANCE WITH EN 733 (EX DIN 24255)

3(L)M-3(L)S-3(L)P SERIES 65-200

at 2900 min<sup>-1</sup> (according to ISO 9906 Attachment A)



The contents of this publication must not be regarded as binding. EBARA Pumps Europe S.p.A. reserves the right to effect any modification it deems necessary without prior notice.



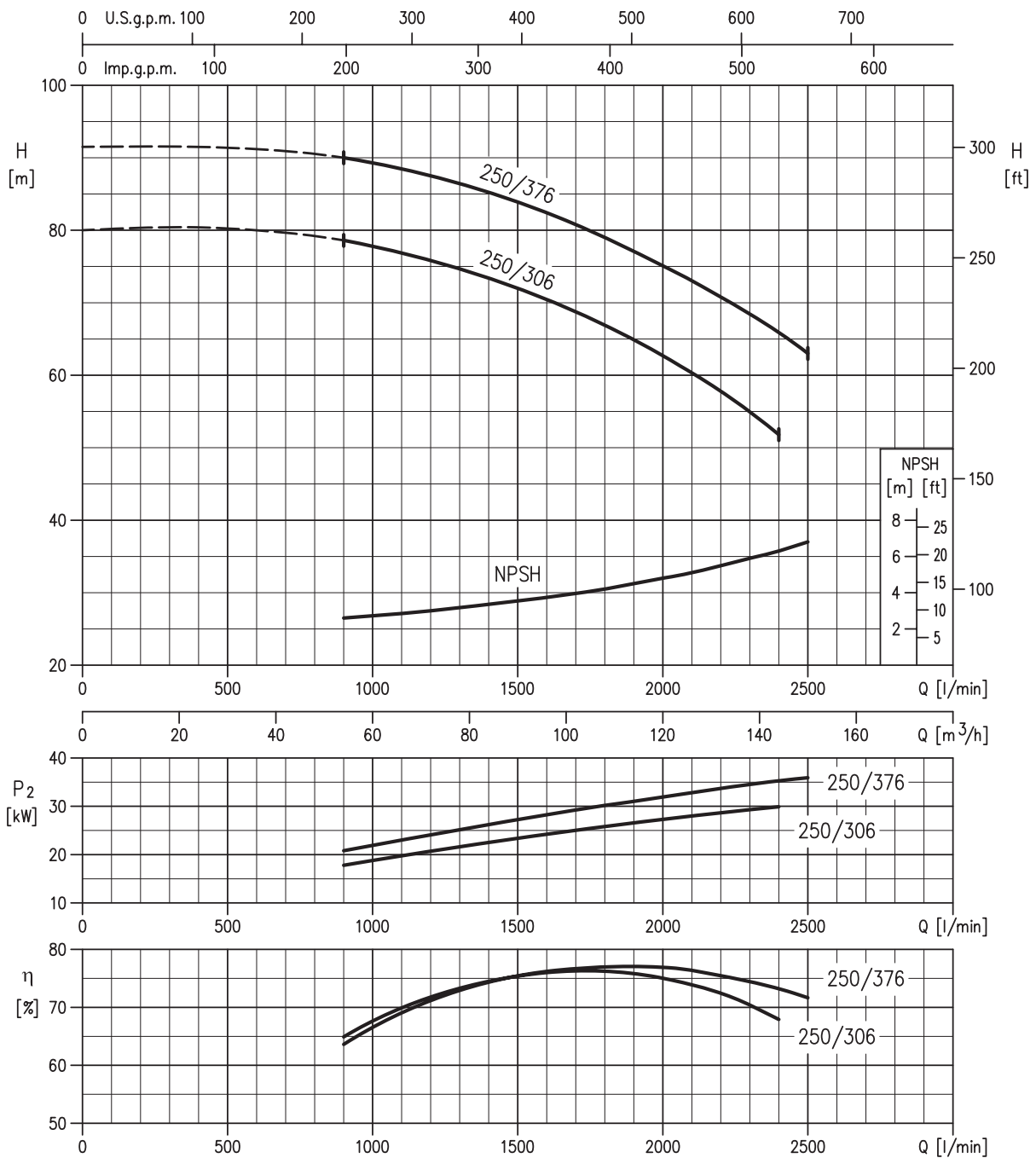


# 3 - 3L SERIES

CENTRIFUGAL ELECTRIC PUMPS STANDARDISED IN COMPLIANCE WITH EN 733  
(EX DIN 24255)

3LS-3LP SERIES 65-250

at 2900 min<sup>-1</sup> (according to ISO 9906 Attachment A)



The contents of this publication may not be regarded as binding. EBARA Pumps Europe S.p.A. reserves the right to effect any modification it deems necessary without prior notice.

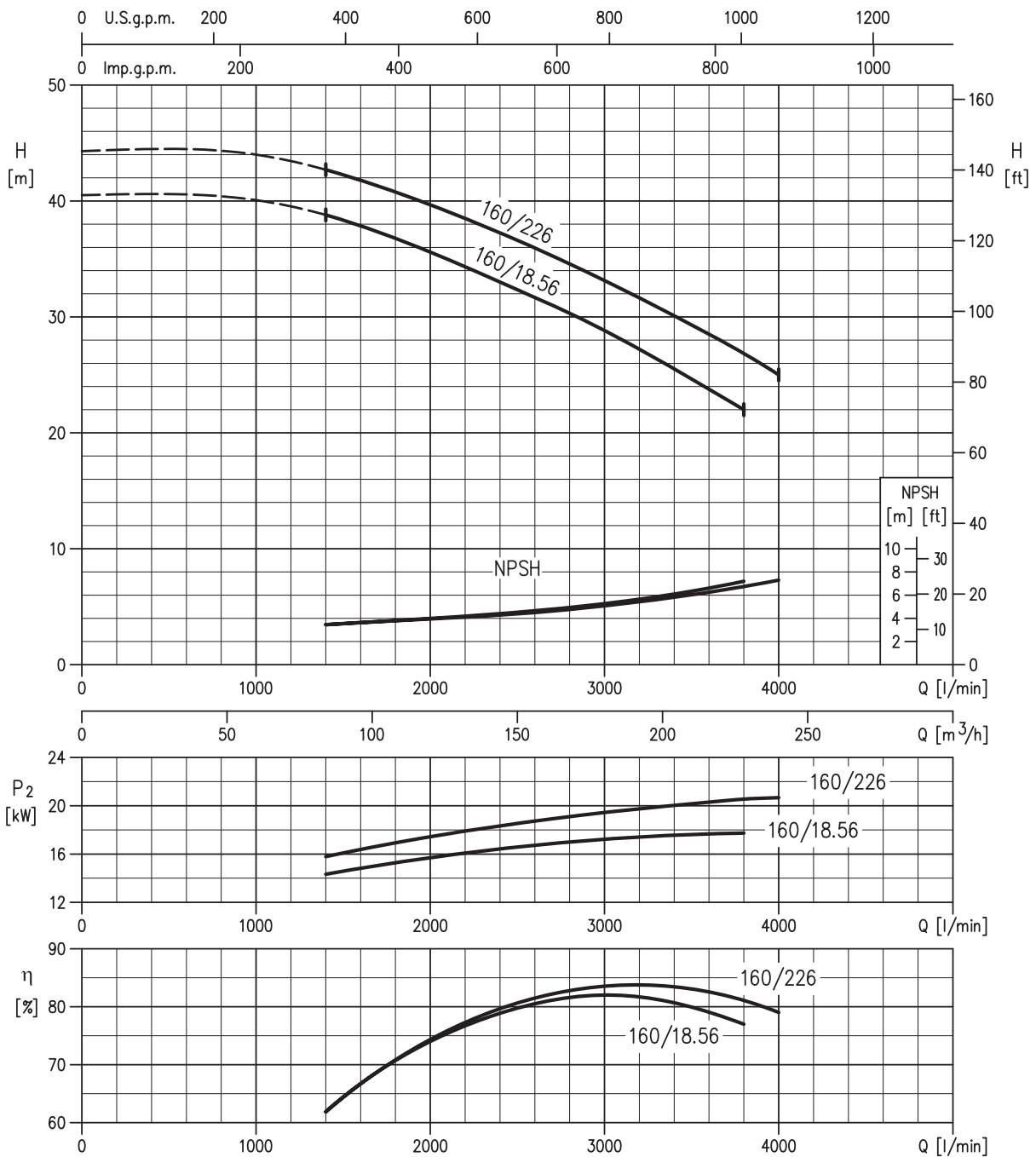


# 3 - 3L SERIES

CENTRIFUGAL ELECTRIC PUMPS STANDARDISED IN COMPLIANCE WITH EN 733 (EX DIN 24255)

3LM-3LS-3LP SERIES 80-160

at 2900 min<sup>-1</sup> (according to ISO 9906 Attachment A)



The contents of this publication must not be regarded as binding. EBARA Pumps Europe S.p.A. reserves the right to effect any modification it deems necessary without prior notice.

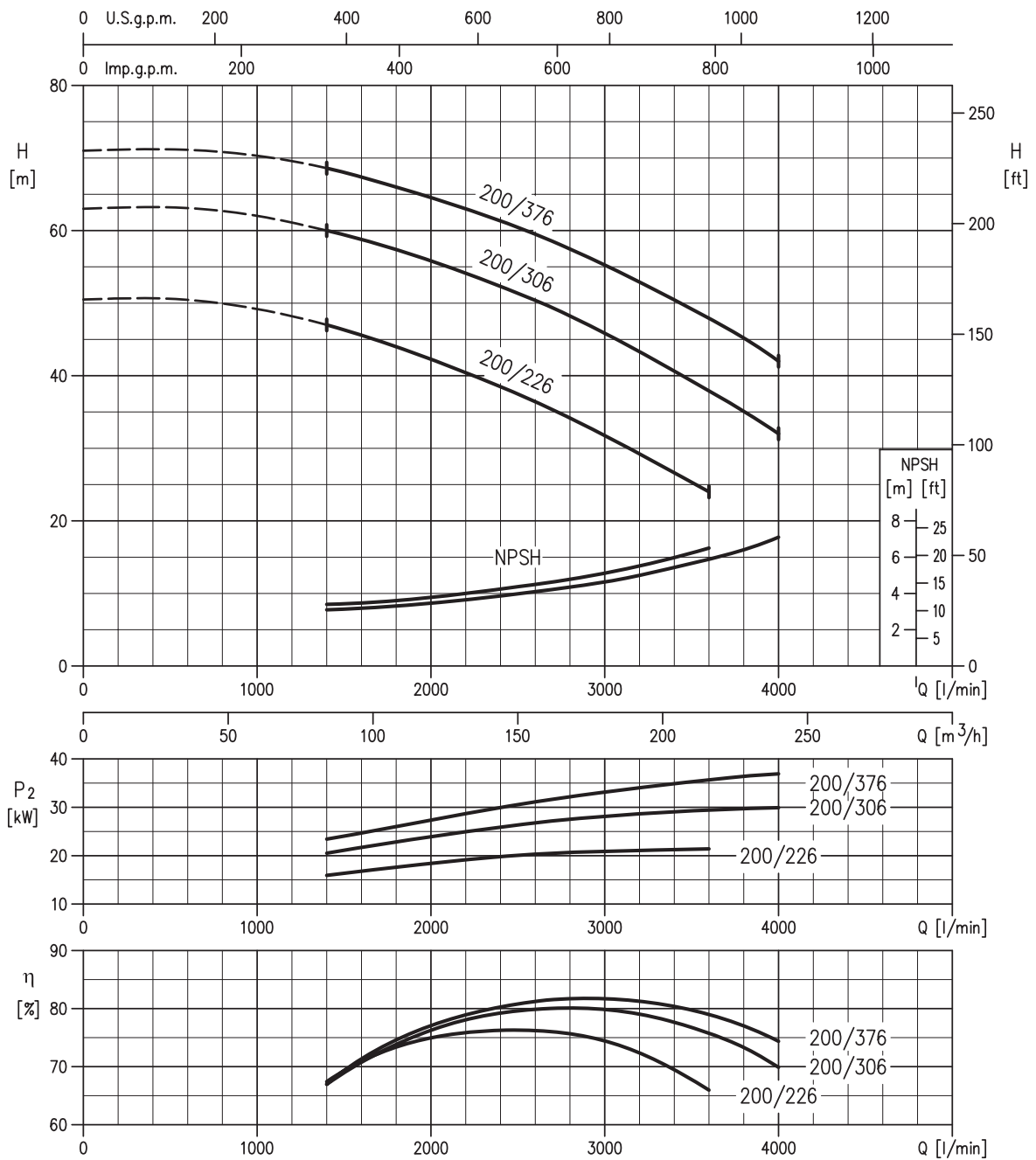


# 3 - 3L SERIES

CENTRIFUGAL ELECTRIC PUMPS STANDARDISED IN COMPLIANCE WITH EN 733 (EX DIN 24255)

3LS-3LP SERIES 80-200

at 2900 min<sup>-1</sup> (according to ISO 9906 Attachment A)



The contents of this publication may not be regarded as binding. EBARA Pumps Europe S.p.A. reserves the right to effect any modification it deems necessary without prior notice.

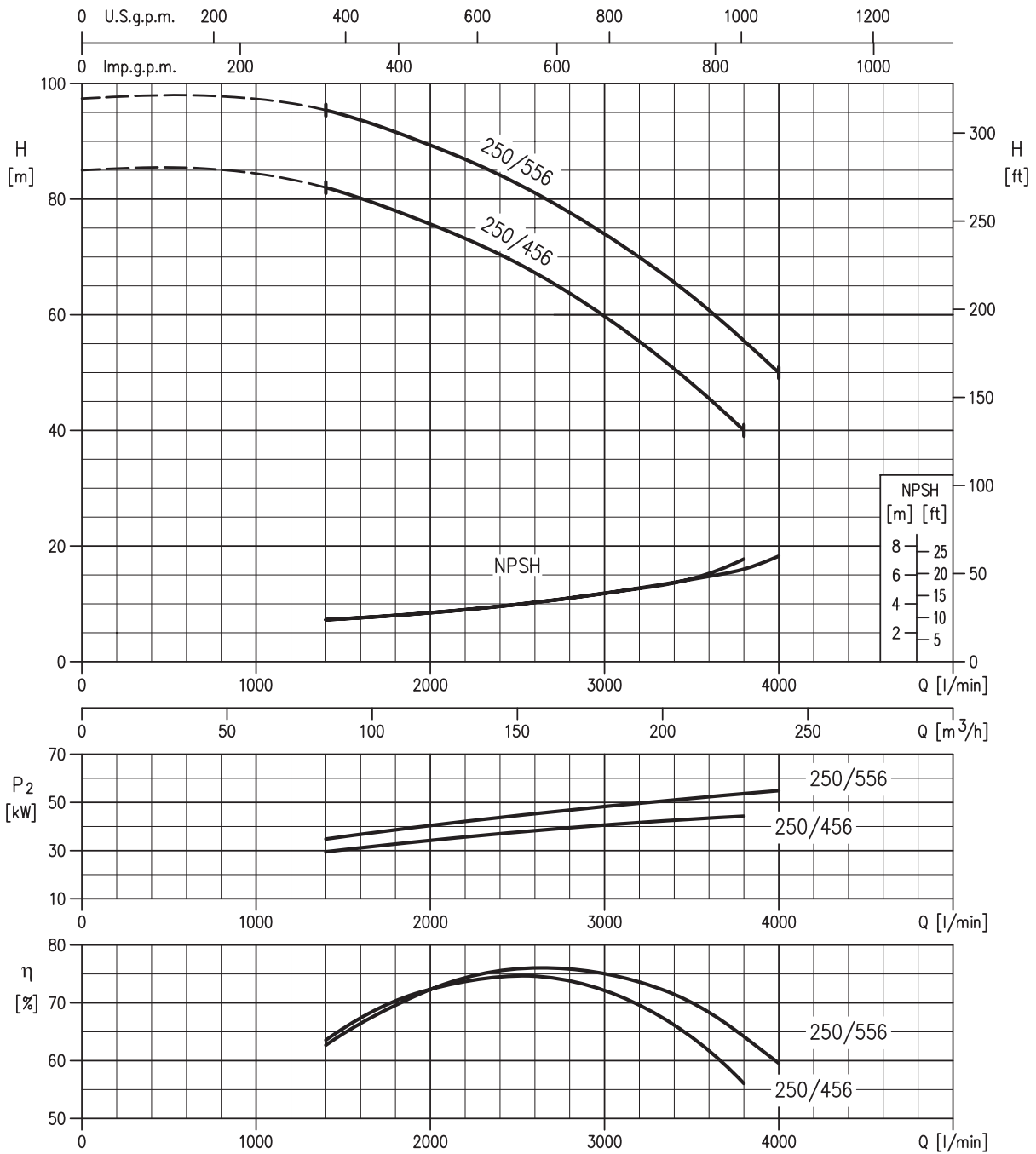


# 3 - 3L SERIES

CENTRIFUGAL ELECTRIC PUMPS STANDARDISED IN COMPLIANCE WITH EN 733  
(EX DIN 24255)

3LS-3LP SERIES 80-250

at 2900 min<sup>-1</sup> (according to ISO 9906 Attachment A)

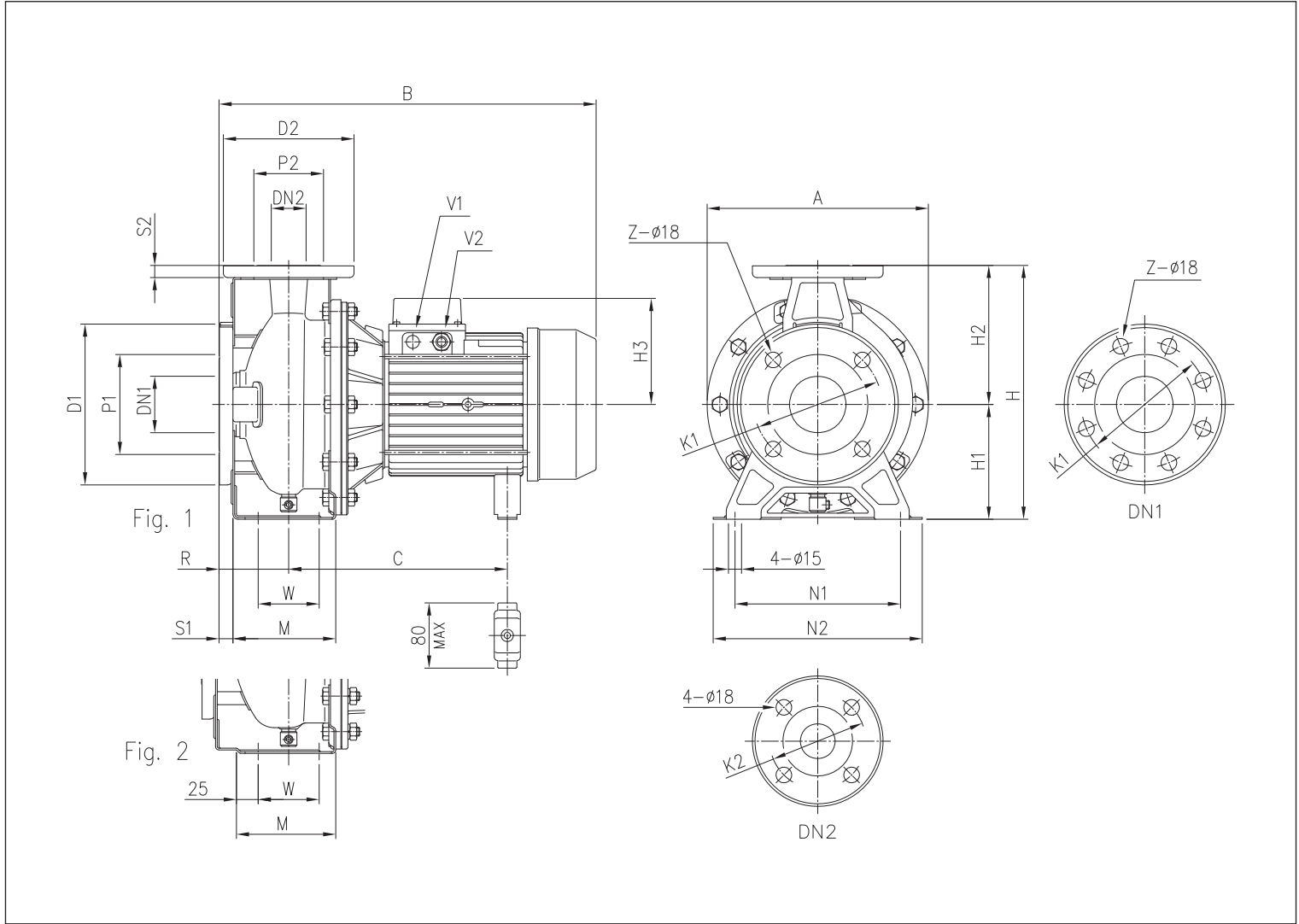


The contents of this publication must not be regarded as binding. EBARA Pumps Europe S.p.A. reserves the right to effect any modification it deems necessary without prior notice.

# 3 - 3L SERIES

CENTRIFUGAL ELECTRIC PUMPS STANDARDISED IN COMPLIANCE WITH EN 733  
(EX DIN 24255)

3(L)M 32, 40-125/160/200, 50-125/160, 65-125/160



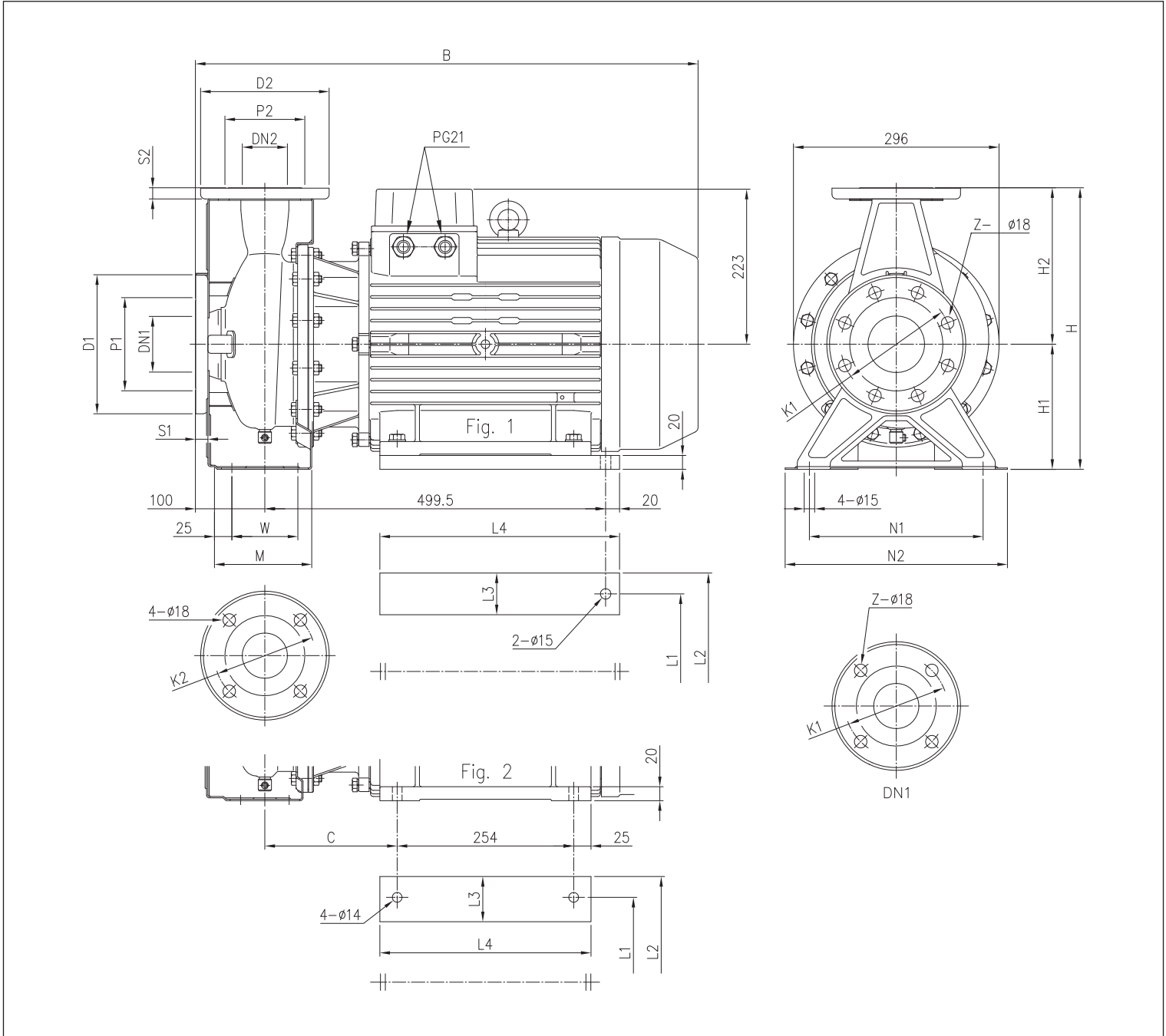
	DN1	P1	K1	D1	S1	Z	DN2	P2	K2	D2	S2	Fig.	H	H1	H2	H3	R	W	M	N1	N2	A	B	C	V1	V2	[kg]
	Ø	Ø	Ø	Ø		[1] [2]	Ø	Ø	Ø	Ø																	
32-125/2.26	50	95	125	165	16	4 -	32	75	100	140	14	1	252	112	140	124	80	70	114	140	190	213	432	244÷255	-	PG13,5	22,1
32-160/3.06	50	95	125	165	16	4 -	32	75	100	140	14	1	292	132	160	124	80	70	118	190	240	254	471	244÷255	-	PG13,5	26,2
32-160/4.06	50	95	125	165	16	4 -	32	75	100	140	14	1	292	132	160	141	80	70	118	190	240	254	494	253	-	PG16	34,5
32-200/5.56	50	95	125	165	16	4 -	32	75	100	140	14	1	340	160	180	150	80	70	119	190	240	296	519	275	PG13,5	PG16	48,5
32-200/7.56	50	95	125	165	16	4 -	32	75	100	140	14	1	340	160	180	150	80	70	119	190	240	296	519	275	PG13,5	PG16	48,0
40-125/3.06	65	115	145	185	16	4 -	40	80	110	150	14	1	252	112	140	124	80	70	114	160	210	213	471	244÷255	-	PG13,5	23,0
40-125/4.06	65	115	145	185	16	4 -	40	80	110	150	14	1	252	112	140	141	80	70	114	160	210	213	494	253	-	PG16	36,6
40-160/5.56	65	115	145	185	16	4 -	40	80	110	150	14	1	292	132	160	150	80	70	118	190	240	254	519	275	PG13,5	PG16	42,3
40-160/7.56	65	115	145	185	16	4 -	40	80	110	150	14	1	292	132	160	150	80	70	118	190	240	254	519	275	PG13,5	PG16	50,2
40-200/116	65	115	145	185	16	4 -	40	80	110	150	14	2	340	160	180	178	100	70	115	212	265	296	595	359	PG13,5	PG21	62,0
50-125/5.56	65	115	145	185	16	4 -	50	95	125	165	16	2	292	132	160	150	100	70	114	190	240	254	539	275	PG13,5	PG16	43,9
50-125/7.56	65	115	145	185	16	4 -	50	95	125	165	16	2	292	132	160	150	100	70	114	190	240	254	539	275	PG13,5	PG16	50,5
50-160/116	65	115	145	185	16	4 -	50	95	125	165	16	2	340	160	180	178	100	70	115	212	265	296	595	359	PG13,5	PG21	63,0
65-125/5.56	80	134	160	200	18	8 4	65	115	145	185	16	2	340	160	180	150	100	95	140	212	280	254	539	275	PG13,5	PG16	52,0
65-125/7.56	80	134	160	200	18	8 4	65	115	145	185	16	2	340	160	180	150	100	95	140	212	280	254	539	275	PG13,5	PG16	53,0
65-160/9.26	80	134	160	200	18	8 4	65	115	145	185	16	2	360	160	200	178	100	95	140	212	280	296	595	359	PG13,5	PG21	55,9
65-160/116	80	134	160	200	18	8 4	65	115	145	185	16	2	360	160	200	178	100	95	140	212	280	296	595	359	PG13,5	PG21	65,0

[1] Standard [2] On request

# 3 - 3L SERIES

CENTRIFUGAL ELECTRIC PUMPS STANDARDISED IN COMPLIANCE WITH EN 733  
(EX DIN 24255)

3(L)M 40-200, 50-160, 65-160/200



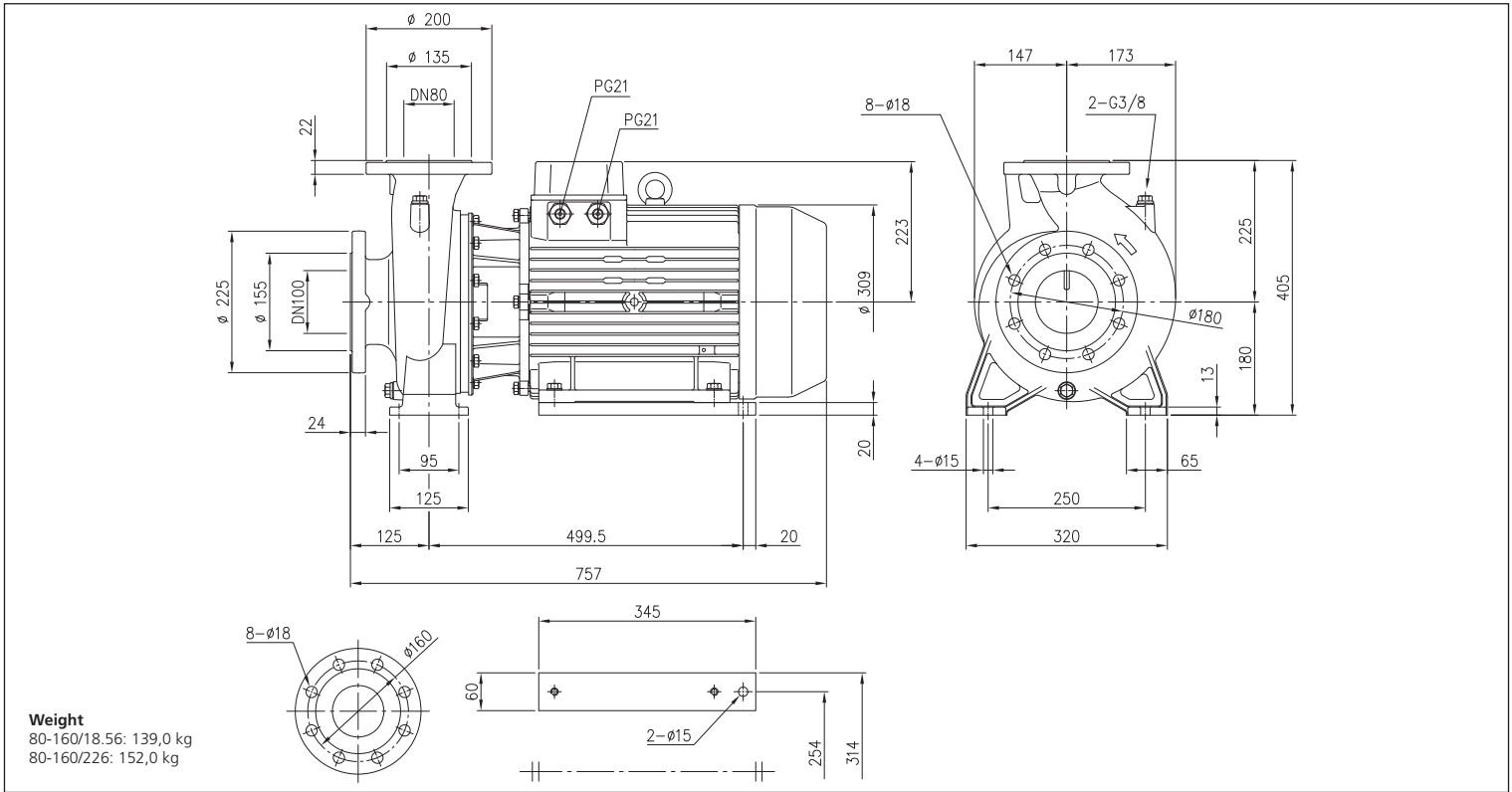
	DN1 Ø	P1 Ø	K1 Ø	D1 Ø	S1	Z	DN2 Ø	P2 Ø	K2 Ø	D2 Ø	S	Fig.	H [mm]	H1	H2	W	M	N1	N2	B	C	L1	L2	L3	L4	[kg]
40-200/156	65	115	145	185	16	4	40	80	110	150	14	2	340	160	180	70	115	212	265	723	190,5	254	318	64	304	103,0
50-160/156	65	115	145	185	16	4	50	95	125	165	16	2	340	160	180	70	115	212	265	723	190,5	254	318	64	304	79,5
65-160/156	80	134	160	200	18	8	65	115	145	185	16	2	360	160	200	95	140	212	280	732	199,5	254	318	64	304	103,0
65-200/156	80	134	160	200	18	8	65	115	145	185	16	1	405	180	225	95	140	250	320	732	-	254	314	60	345	106,0
65-200/18.56	80	134	160	200	18	8	65	115	145	185	16	1	405	180	225	95	140	250	320	732	-	254	314	60	345	120,0
65-200/226	80	134	160	200	18	8	65	115	145	185	16	1	405	180	225	95	140	250	320	732	-	254	314	60	345	128,0

[1] Standard [2] On request

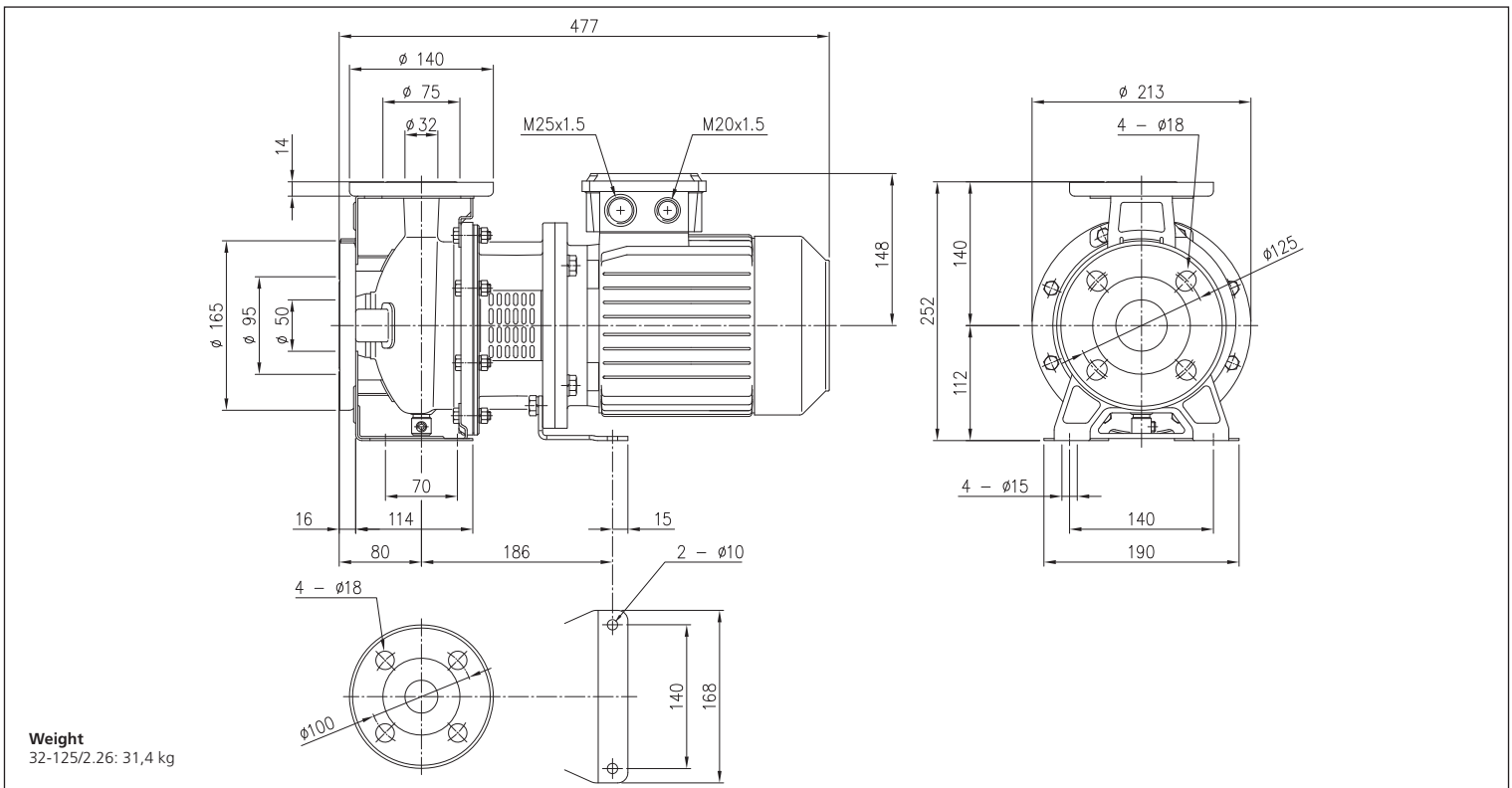
# 3 - 3L SERIES

CENTRIFUGAL ELECTRIC PUMPS STANDARDISED IN COMPLIANCE WITH EN 733  
(EX DIN 24255)

## 3LM 80-160/18.56 - 3LM 80-160/226



## 3(L)S 32-125/2.26

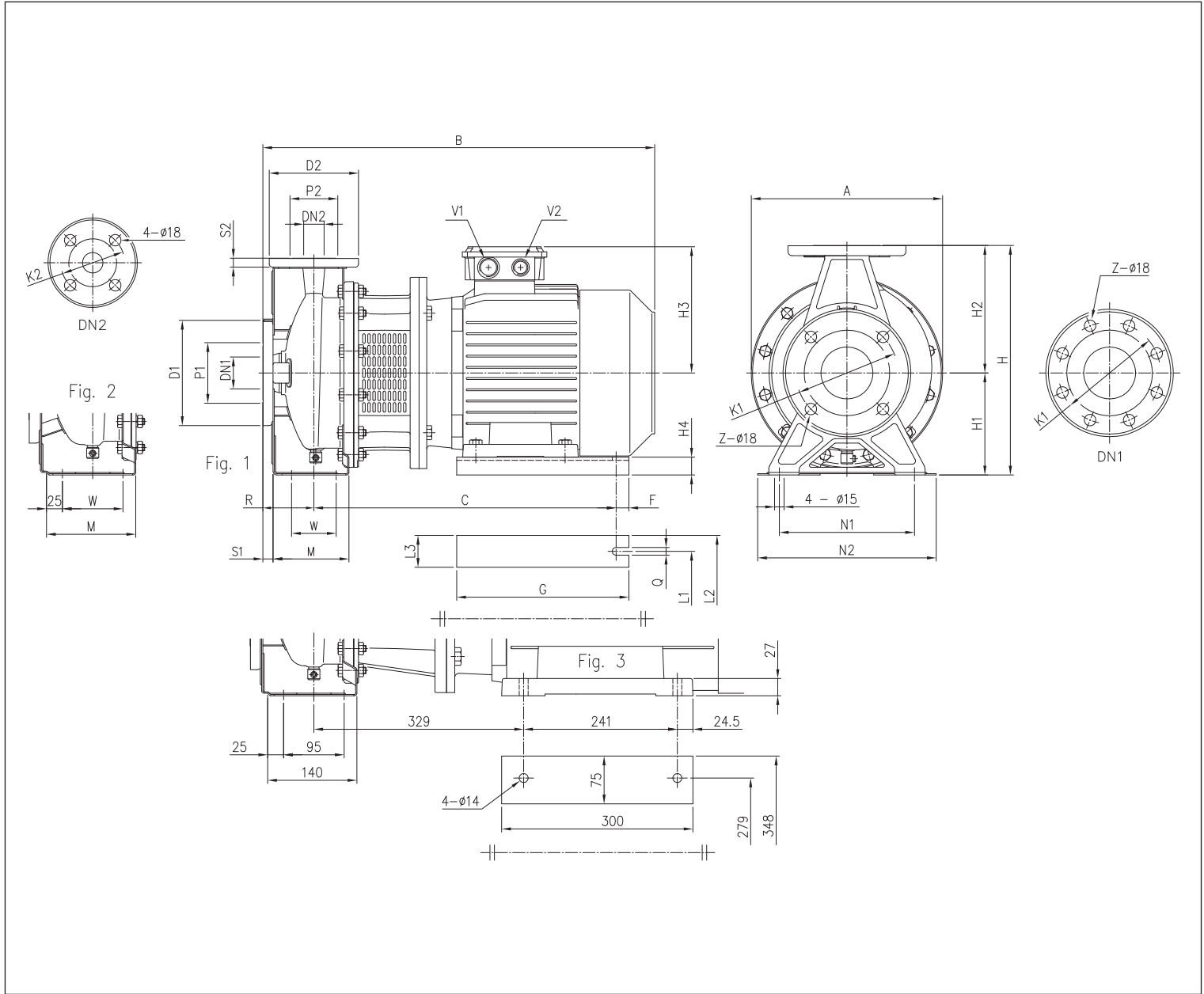


The contents of this publication must not be regarded as binding. EBARA Pumps Europe S.p.A. reserves the right to effect any modification it deems necessary, without prior notice.

# 3 - 3L SERIES

CENTRIFUGAL ELECTRIC PUMPS STANDARDISED IN COMPLIANCE WITH EN 733  
(EX DIN 24255)

3(L)S 32, 65-125/160/200



	DN1	P1	K1	D1	S1	Z	DN2	P2	K2	D2	S2	Fig.	H	H1	H2	H3	H4	R	W	M	N1	N2	A	B	C	F	G	Q	L1	L2	L3	V1	V2	[kg]			
	Ø	Ø	Ø	Ø		[1]	Ø																														
32-160/3.06	50	95	125	165	16	4	-	32	75	100	140	14	1	292	132	160	155	32	80	70	118	190	240	254	528	388	15	220	12	160	200	40	M25x1,5	M20x1,5	38,4		
32-160/4.06	50	95	125	165	16	4	-	32	75	100	140	14	1	292	132	160	171	20	80	70	118	190	240	254	550	395	15	220	12	190	240	50	M25x1,5	M20x1,5	40,0		
32-200/5.56	50	95	125	165	16	4	-	32	75	100	140	14	1	340	160	180	198	28	80	70	119	190	240	300	607	479	15	270	12	216	266	50	M32x1,5	M32x1,5	71,8		
32-200/7.56	50	95	125	165	16	4	-	32	75	100	140	14	1	340	160	180	198	28	80	70	119	190	240	300	607	479	15	270	12	216	266	50	M32x1,5	M32x1,5	85,0		
65-125/5.56	80	134	160	200	18	8	4	45	115	145	185	16	2	340	160	180	198	28	100	95	140	212	280	300	627	479	15	270	12	216	266	50	M32x1,5	M32x1,5	60,0		
65-125/7.56	80	134	160	200	18	8	4	45	115	145	185	16	2	340	160	180	198	28	100	95	140	212	280	300	627	479	15	270	12	216	266	50	M32x1,5	M32x1,5	77,4		
65-160/9.26	80	134	160	200	18	8	4	45	115	145	185	16	2	360	160	200	198	28	100	95	140	212	280	300	667	479	15	270	12	216	266	50	M32x1,5	M32x1,5	87,0		
65-200/156	80	134	160	200	18	8	4	45	115	145	185	16	2	405	180	225	238	20	100	95	140	250	320	350	806	621	20	350	14	254	314	60	M40x1,5	M40x1,5	121,1		
65-200/18.56	80	134	160	200	18	8	4	45	115	145	185	16	2	405	180	225	238	20	100	95	140	250	320	350	850	621	20	350	14	254	314	60	M40x1,5	M40x1,5	130,7		
65-200/226	80	134	160	200	18	8	4	45	115	145	185	16	3	405	180	225	268	-	100	-	-	250	320	360	885	-	-	-	-	-	-	-	-	-	M32x1,5	M32x1,5	168,0

[1] Standard [2] On request

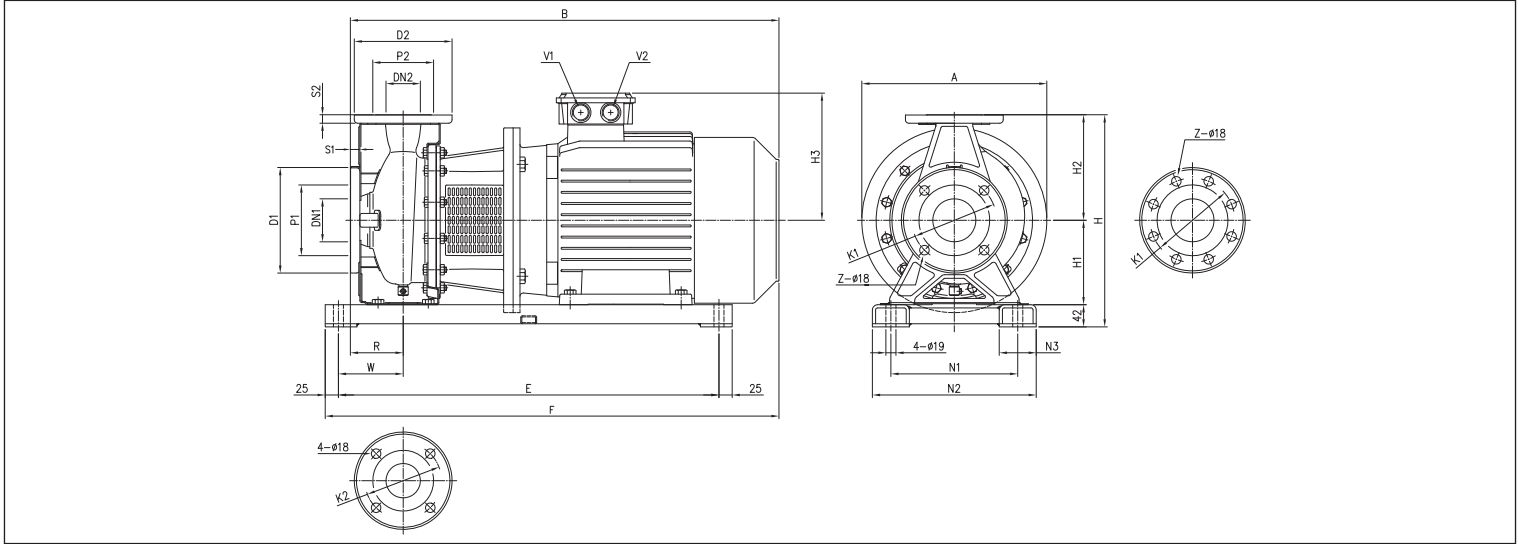
The contents of this publication must not be regarded as binding. EBARA Pumps Europe S.p.A. reserves the right to effect any modification it deems necessary without prior notice.



# 3 - 3L SERIES

CENTRIFUGAL ELECTRIC PUMPS STANDARDISED IN COMPLIANCE WITH EN 733  
(EX DIN 24255)

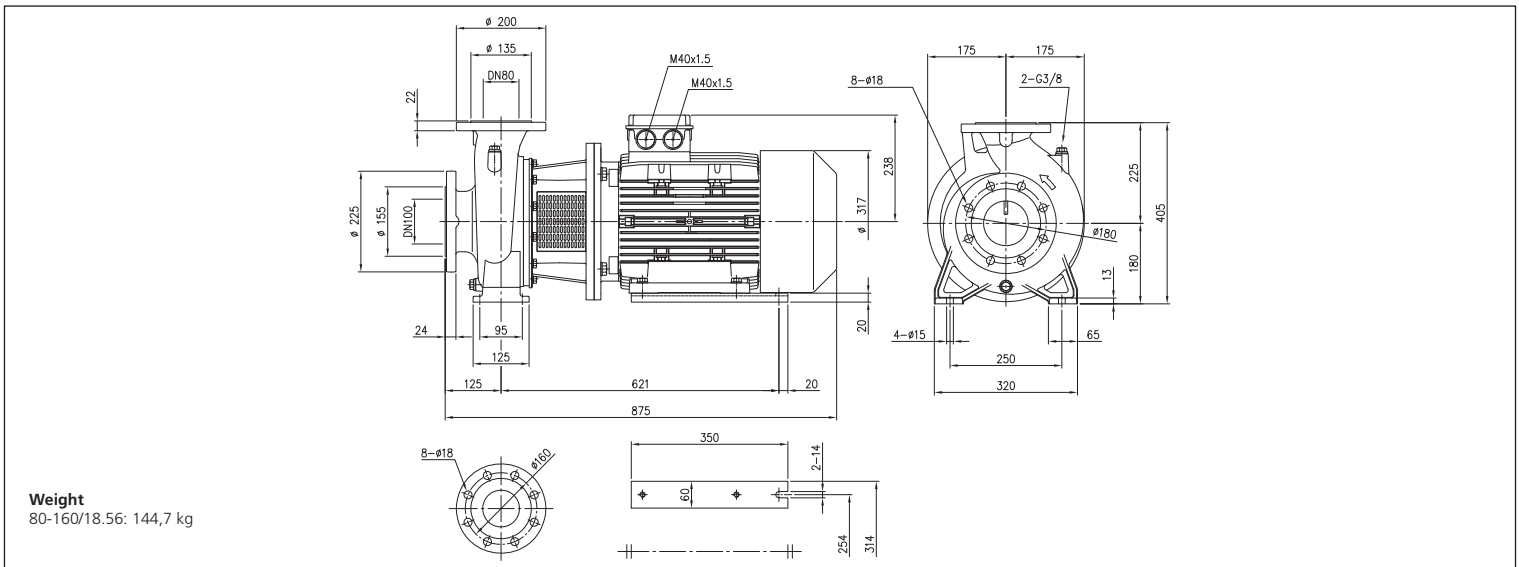
3(L)S 40, 50, 65-160



	DN1	P1	K1	D1	S1	Z	DN2	P2	K2	D2	S2	H	H1	H2	H3	R	W	N1	N2	N3	A	B	E	F	V1	V2	[kg]	
	Ø	Ø	Ø	Ø		[1]	[2]	Ø	Ø	Ø	Ø																	
40-125/3.06	65	115	145	185	16	4	-	40	80	110	150	14	294	112	140	155	80	90	180	240	60	250	528	500	563	M25x1,5	M20x1,5	34,5
40-125/4.06	65	115	145	185	16	4	-	40	80	110	150	14	294	112	140	171	80	90	180	240	60	250	550	500	585	M25x1,5	M20x1,5	44,6
40-160/5.56	65	115	145	185	16	4	-	40	80	110	150	14	334	132	160	198	80	110	210	270	60	300	607	600	662	M32x1,5	M32x1,5	71,2
40-160/7.56	65	115	145	185	16	4	-	40	80	110	150	14	334	132	160	198	80	110	210	270	60	300	607	600	662	M32x1,5	M32x1,5	79,0
40-200/116	65	115	145	185	16	4	-	40	80	110	150	14	382	160	180	238	100	110	240	310	70	350	796	720	831	M40x1,5	M40x1,5	107,0
40-200/156	65	115	145	185	16	4	-	40	80	110	150	14	382	160	180	238	100	110	240	310	70	350	796	720	831	M40x1,5	M40x1,5	131,0
50-125/5.56	65	115	145	185	16	4	-	50	95	125	165	16	334	132	160	198	100	110	210	270	60	300	627	600	662	M32x1,5	M32x1,5	62,8
50-125/7.56	65	115	145	185	16	4	-	50	95	125	165	16	334	132	160	198	100	110	210	270	60	300	627	600	662	M32x1,5	M32x1,5	88,0
50-160/116	65	115	145	185	16	4	-	50	95	125	165	16	382	160	180	238	100	110	240	310	70	350	796	720	831	M40x1,5	M40x1,5	75,0
50-160/156	65	115	145	185	16	4	-	50	95	125	165	16	382	160	180	238	100	110	240	310	70	350	796	720	831	M40x1,5	M40x1,5	103,0
65-160/116	80	134	160	200	18	8	4	65	115	145	185	16	402	160	200	238	100	122,5	240	310	70	350	796	720	844	M40x1,5	M40x1,5	76,0
65-160/156	80	134	160	200	18	8	4	65	115	145	185	16	402	160	200	238	100	122,5	240	310	70	350	806	720	854	M40x1,5	M40x1,5	104,0

[1] Standard [2] On request

3LS 80-160/18.56



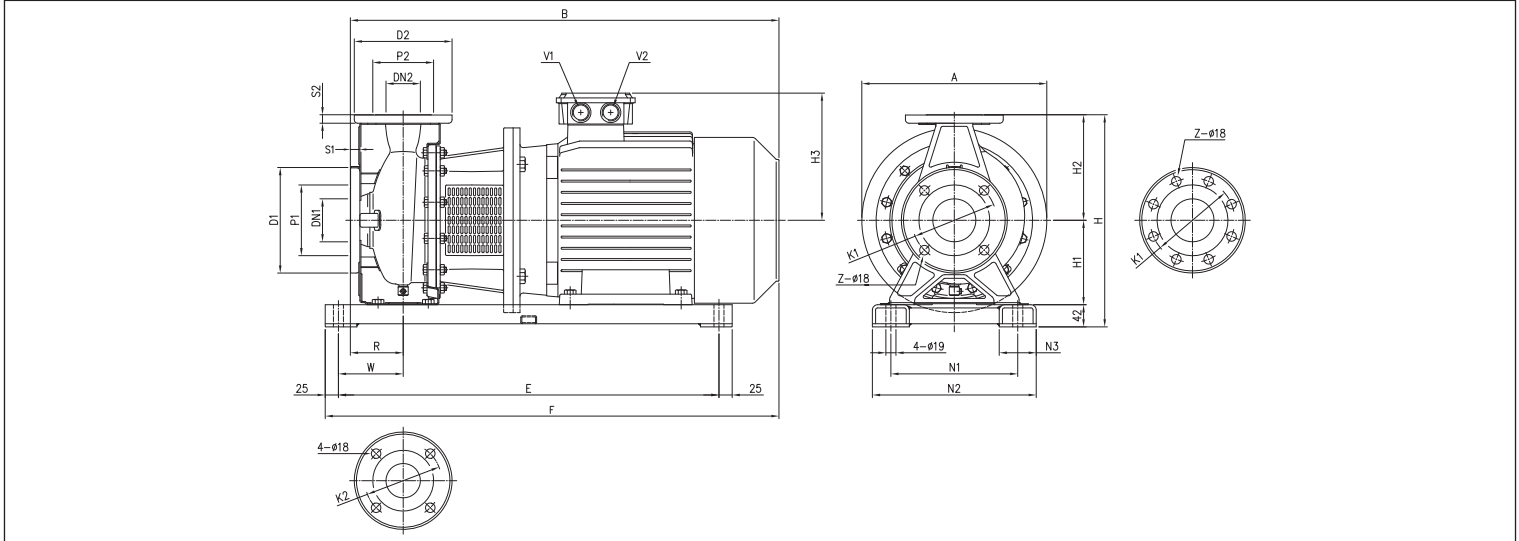
Weight  
80-160/18.56: 144,7 kg

The contents of this publication must not be regarded as binding. EBARA Pumps Europe S.p.A. reserves the right to effect any modification it deems necessary, without prior notice.

# 3 - 3L SERIES

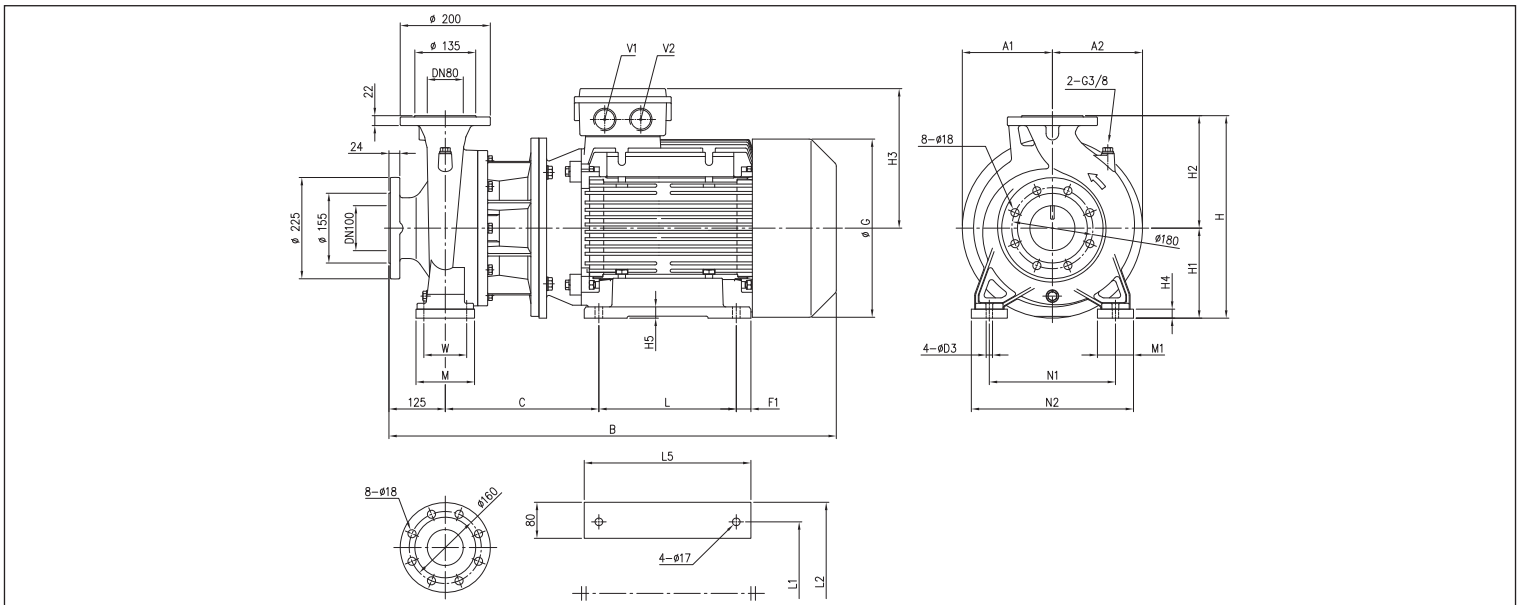
CENTRIFUGAL ELECTRIC PUMPS STANDARDISED IN COMPLIANCE WITH EN 733  
(EX DIN 24255)

## 3LS 65-250, 80-160/200



	DN1	P1	K1	D1	S1	DN2	P2	D2	S2	H	H1	H2	H3	H4	H5	R	W	N1	N2	M	M1	L	L1	L2	L3	L5	A1	A2	B	C	F1	G	D3	D5	V1	V2	[kg]
65-250/306	80	135	160	200	22	65 Fig.1	120	185	20	450	200	250	300	15	25	100	120	280	360	160	80	305	318	388	80	358	200	200	966	341	21,5	399	19	17	M40x1,5	M40x1,5	303,0
65-250/376	80	135	160	200	22	65 Fig.1	120	185	20	450	200	250	300	15	25	100	120	280	360	160	80	305	318	388	80	358	200	200	966	341	21,5	399	19	17	M40x1,5	M40x1,5	320,0
80-160/226	100	155	180	225	24	80 Fig.2	135	200	22	405	180	225	268	13	27	125	95	250	320	125	65	241	279	348	75	300	175	175	910	329	24,5	360	15	14	M32x1,5	M32x1,5	200,0
80-200/226	100	155	180	225	24	80 Fig.2	135	200	22	430	180	250	268	13	27	125	95	280	345	125	65	241	279	348	75	300	175	182	910	329	24,5	360	15	14	M32x1,5	M32x1,5	200,0

## 3LS 80-200/250

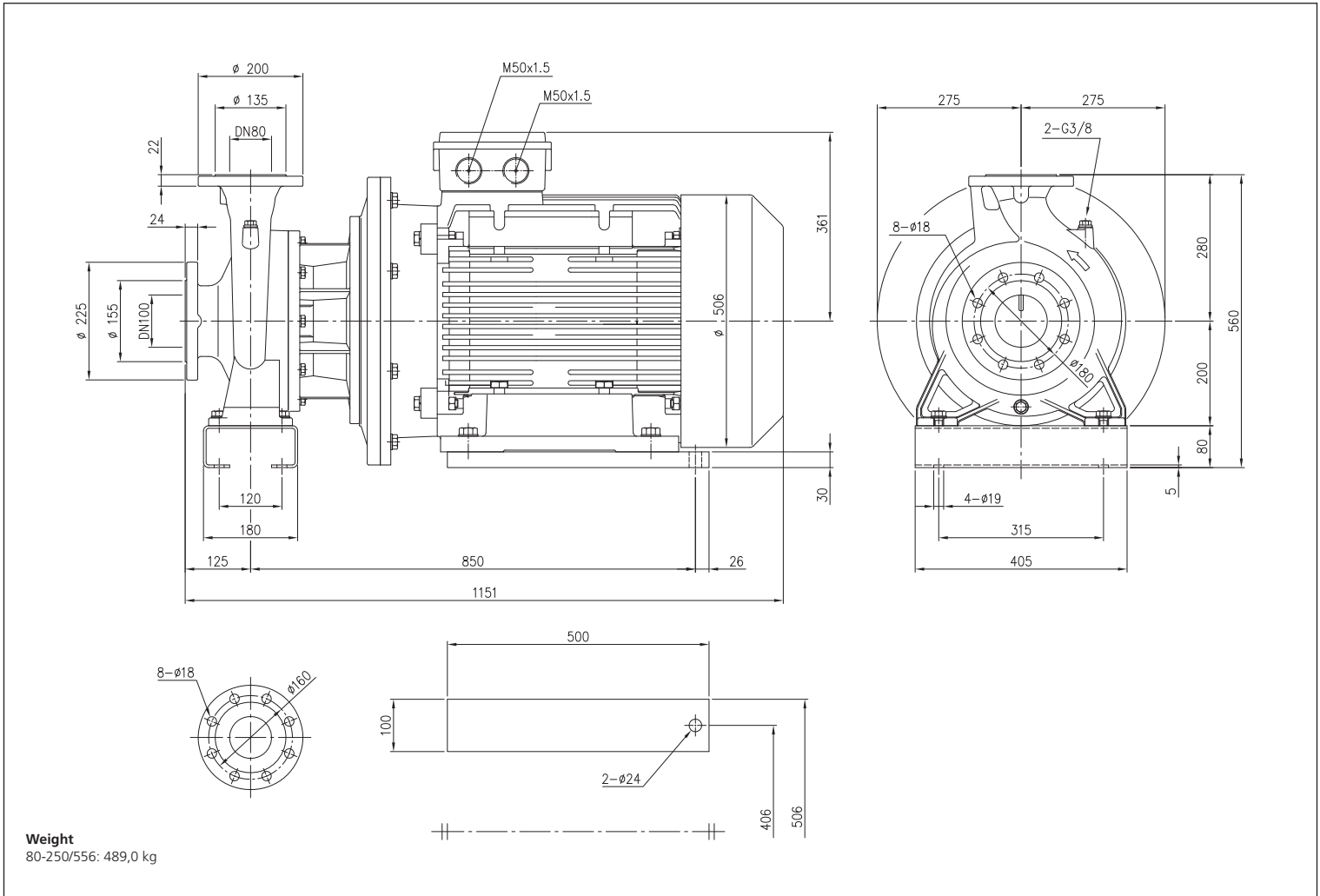


	H	H1	H2	H3	H4	H5	W	N1	N2	M	M1	L	L1	L2	L5	A1	A2	B	C	F1	G	D3	V1	V2	[kg]
80-200/306	450	200	250	300	20	25	95	280	360	130	80	305	318	388	358	200	200	991	341	21,5	399	14	M40x1,5	M40x1,5	306,0
80-200/376	450	200	250	300	20	25	95	280	360	130	80	305	318	388	358	200	200	991	341	21,5	399	14	M40x1,5	M40x1,5	325,0
80-250/456	505	225	280	335	25	28	120	315	415	165	100	311	356	436	386	225	225	1060	385	37,5	465	18	M50x1,5	M50x1,5	401,0

# 3 - 3L SERIES

CENTRIFUGAL ELECTRIC PUMPS STANDARDISED IN COMPLIANCE WITH EN 733  
(EX DIN 24255)

## 3LS 80-250/556

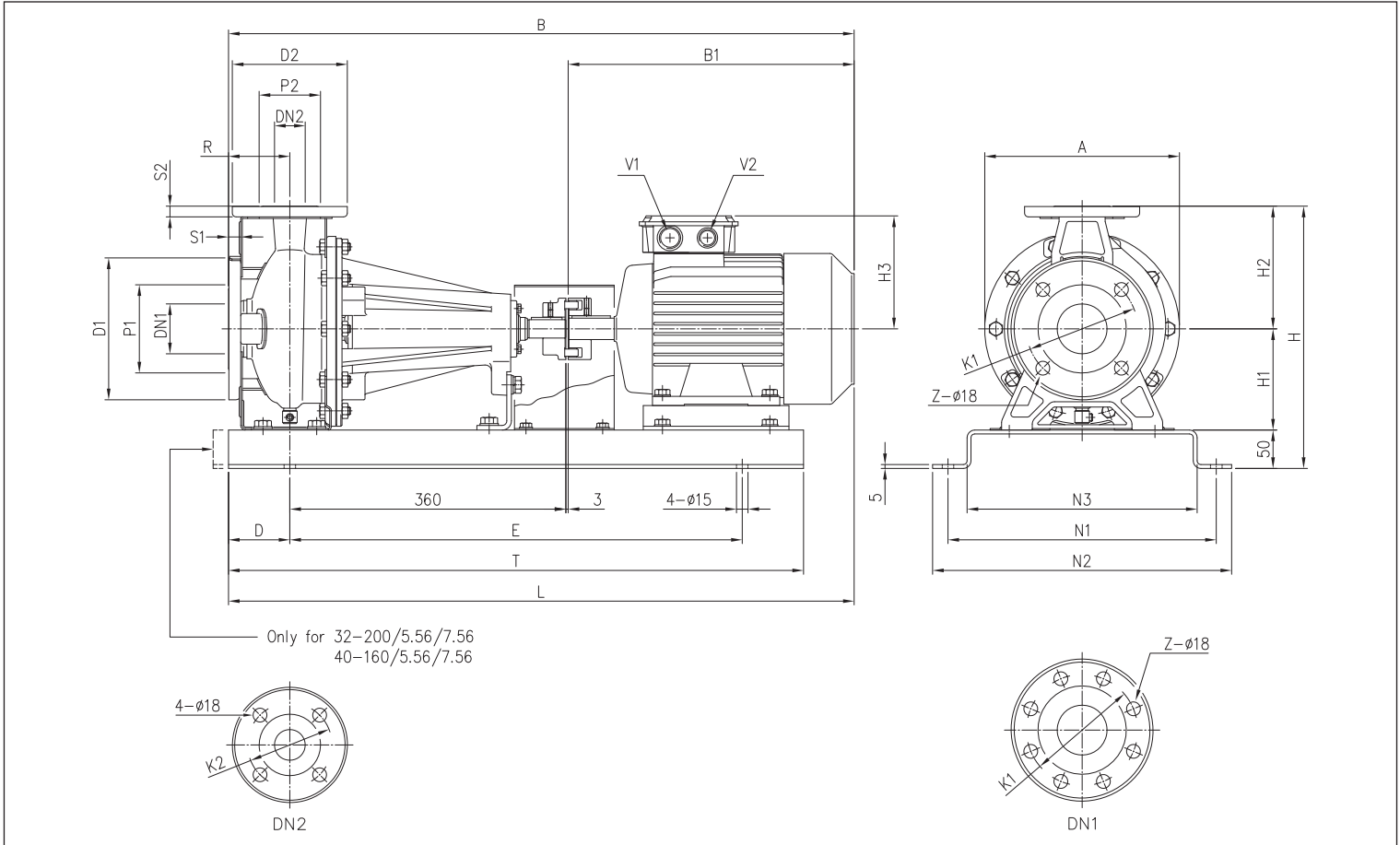


The contents of this publication must not be regarded as binding. EBARA Pumps Europe SpA reserves the right to effect any modification it deems necessary, without prior notice.

# 3 - 3L SERIES

CENTRIFUGAL ELECTRIC PUMPS STANDARDISED IN COMPLIANCE WITH EN 733  
(EX DIN 24255)

3(L)P 32, 40, 50, 65-125/160/200



	DN1 Ø	P1 Ø	K1 Ø	D1 Ø	S1	Z [1] [2]	DN2 Ø	P2 Ø	K2 Ø	D2 Ø	S2	H	H1	H2	H3	R	A	B	B1	D	E	N1	N2	N3	T	L	V1	V2	[kg]	
32-125/2.26	50	95	125	165	16	4	-	32	75	100	140	14	302	112	140	148	80	213	760	317	80	550	300	340	250	710	760	M25x1.5	M20x1.5	52,5
32-160/3.06	50	95	125	165	16	4	-	32	75	100	140	14	342	132	160	155	80	254	809	366	80	590	350	390	300	750	809	M25x1.5	M20x1.5	70,5
32-160/4.06	50	95	125	165	16	4	-	32	75	100	140	14	342	132	160	171	80	254	831	388	80	590	350	390	300	750	831	M25x1.5	M20x1.5	74,1
32-200/5.56	50	95	125	165	16	4	-	32	75	100	140	14	390	160	180	198	80	296	885	442	100	650	350	390	300	850	905	M32x1.5	M32x1.5	97,0
32-200/7.56	50	95	125	165	16	4	-	32	75	100	140	14	390	160	180	198	80	296	885	442	100	650	350	390	300	850	905	M32x1.5	M32x1.5	110,2
40-125/3.06	65	115	145	185	16	4	-	40	80	110	150	14	302	112	140	155	80	213	809	366	80	590	300	340	250	750	809	M25x1.5	M20x1.5	80,0
40-125/4.06	65	115	145	185	16	4	-	40	80	110	150	14	302	112	140	171	80	213	831	388	80	590	300	340	250	750	831	M25x1.5	M20x1.5	66,6
40-160/5.56	65	115	145	185	16	4	-	40	80	110	150	14	342	132	160	198	80	254	885	442	100	650	350	390	300	850	905	M32x1.5	M32x1.5	97,0
40-160/7.56	65	115	145	185	16	4	-	40	80	110	150	14	342	132	160	198	80	254	885	442	100	650	350	390	300	850	905	M32x1.5	M32x1.5	103,9
40-200/116	65	115	145	185	16	4	-	40	80	110	150	14	390	160	180	238	100	296	1071	608	100	800	380	420	330	1000	1071	M40x1.5	M40x1.5	117,0
40-200/156	65	115	145	185	16	4	-	40	80	110	150	14	390	160	180	238	100	296	1071	608	100	800	380	420	330	1000	1071	M40x1.5	M40x1.5	118,0
50-125/5.56	65	115	145	185	16	4	-	50	95	125	165	16	342	132	160	198	100	254	905	442	100	650	350	390	300	850	905	M32x1.5	M32x1.5	98,0
50-125/7.56	65	115	145	185	16	4	-	50	95	125	165	16	342	132	160	198	100	254	905	442	100	650	350	390	300	850	905	M32x1.5	M32x1.5	104,9
50-160/116	65	115	145	185	16	4	-	50	95	125	165	16	390	160	180	238	100	296	1071	608	100	800	380	420	330	1000	1071	M40x1.5	M40x1.5	116,5
50-160/156	65	115	145	185	16	4	-	50	95	125	165	16	390	160	180	238	100	296	1071	608	100	800	380	420	330	1000	1071	M40x1.5	M40x1.5	117,5
65-125/5.56	80	134	160	200	18	8	4	65	115	145	185	16	390	160	180	198	100	254	905	442	100	650	350	390	300	850	905	M32x1.5	M32x1.5	99,0
65-125/7.56	80	134	160	200	18	8	4	65	115	145	185	16	390	160	180	198	100	254	905	442	100	650	350	390	300	850	905	M32x1.5	M32x1.5	107,4
65-160/9.26	80	134	160	200	18	8	4	65	115	145	185	16	410	160	200	198	100	296	945	482	100	650	350	390	300	850	945	M32x1.5	M32x1.5	117,0
65-160/116	80	134	160	200	18	8	4	65	115	145	185	16	410	160	200	238	100	296	1071	608	100	800	380	420	330	1000	1071	M40x1.5	M40x1.5	114,0
65-160/156	80	134	160	200	18	8	4	65	115	145	185	16	410	160	200	238	100	296	1071	608	100	800	380	420	330	1000	1071	M40x1.5	M40x1.5	112,1
65-200/156	80	134	160	200	18	8	4	65	115	145	185	16	455	180	225	238	100	296	1071	608	100	800	380	420	330	1000	1071	M40x1.5	M40x1.5	120,1
65-200/18.56	80	134	160	200	18	8	4	65	115	145	185	16	455	180	225	238	100	296	1115	652	100	800	380	420	330	1000	1115	M40x1.5	M40x1.5	128,7
65-200/226	80	134	160	200	18	8	4	65	115	145	185	16	455	180	225	268	100	296	1150	687	100	800	410	450	360	1000	1150	M32x1.5	M32x1.5	182,0

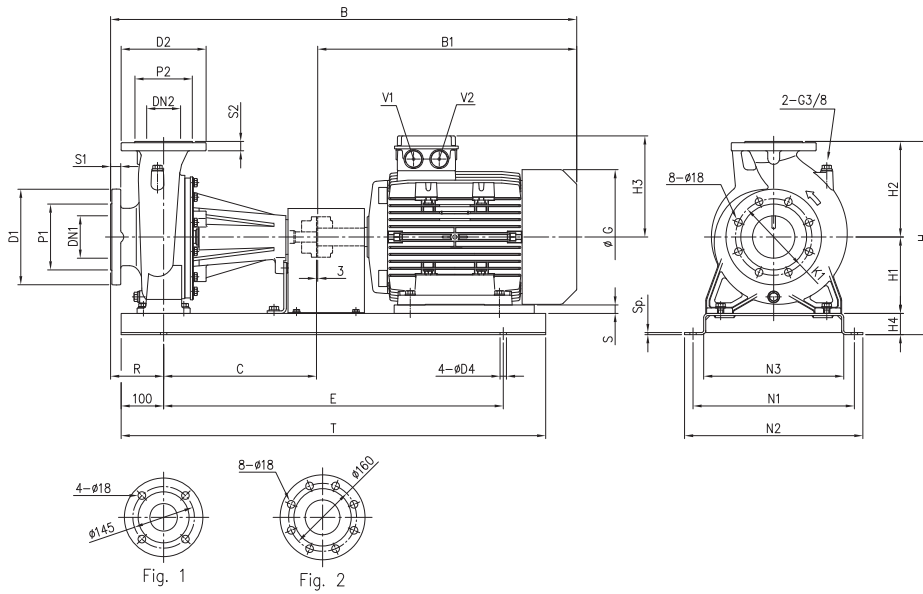
[1] Standard

[2] On request

# 3 - 3L SERIES

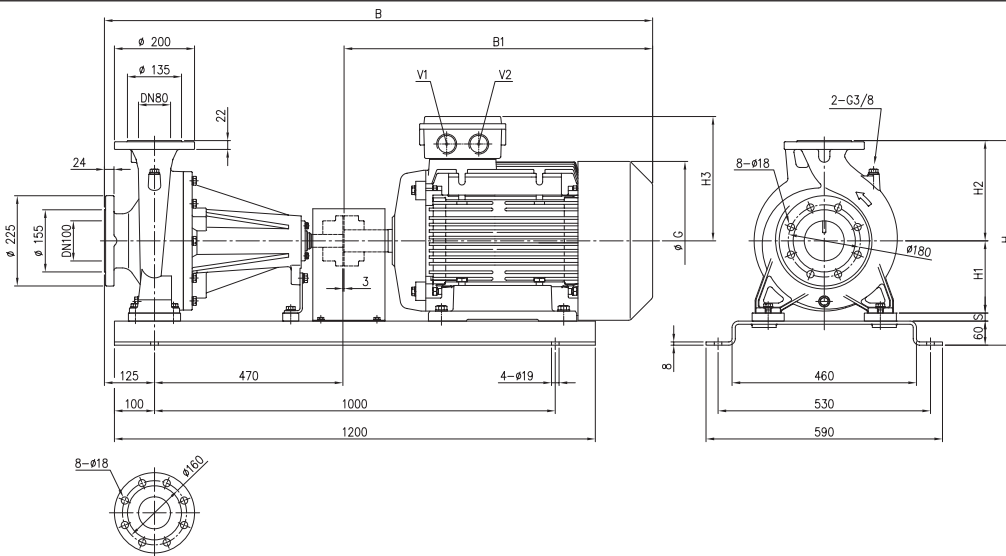
CENTRIFUGAL ELECTRIC PUMPS STANDARDISED IN COMPLIANCE WITH EN 733  
(EX DIN 24255)

## 3LP 65-250, 80-160/200



	DN1	P1	K1	D1	S1	DN2	P2	D2	S2	H	H1	H2	H3	H4	R	N1	N2	N3	B	B1	C	G	E	T	S	D4	Sp.	V1	V2	[kg]
65-250/306	80	135	160	200	22	65 Fig.1	120	185	20	510	200	250	300	60	100	530	590	460	1341	399	470	768	1000	1200	-	19	8	M40x1.5	M40x1.5	354,0
65-250/376	80	135	160	200	22	65 Fig.1	120	185	20	510	200	250	300	60	100	530	590	460	1341	399	470	768	1000	1200	-	19	8	M40x1.5	M40x1.5	373,0
80-160/18.56	100	155	180	225	24	80 Fig.2	135	200	22	455	180	225	238	50	125	380	420	330	1140	317	360	652	800	1000	20	15	5	M40x1.5	M40x1.5	174,7
80-160/226	100	155	180	225	24	80 Fig.2	135	200	22	455	180	225	268	50	125	410	450	360	1175	360	360	687	800	1000	-	15	5	M32x1.5	M32x1.5	250,0
80-200/226	100	155	180	225	24	80 Fig.2	135	200	22	490	180	250	268	60	125	530	590	460	1285	360	470	687	1000	1200	-	19	8	M32x1.5	M32x1.5	252,0

## 3LP 80-200/250



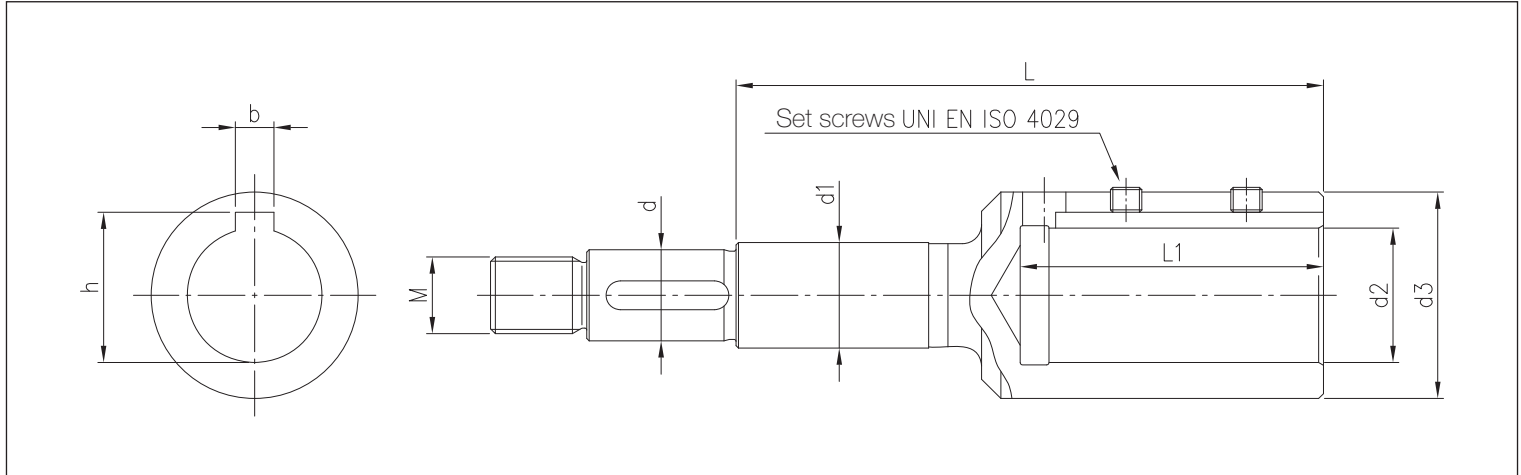
	H	H1	H2	H3	B	B1	G	S	V1	V2	[kg]
80-200/306	510	180	250	300	1366	768	399	20	M40x1.5	M40x1.5	356,0
80-200/376	510	180	250	300	1366	768	399	20	M40x1.5	M40x1.5	365,0
80-250/456	565	200	280	335	1407	809	465	25	M50x1.5	M50x1.5	440,0



# 3 - 3L SERIES

CENTRIFUGAL ELECTRIC PUMPS STANDARDISED IN COMPLIANCE WITH EN 733  
(EX DIN 24255)

## 3(L)S - 3SF SERIES



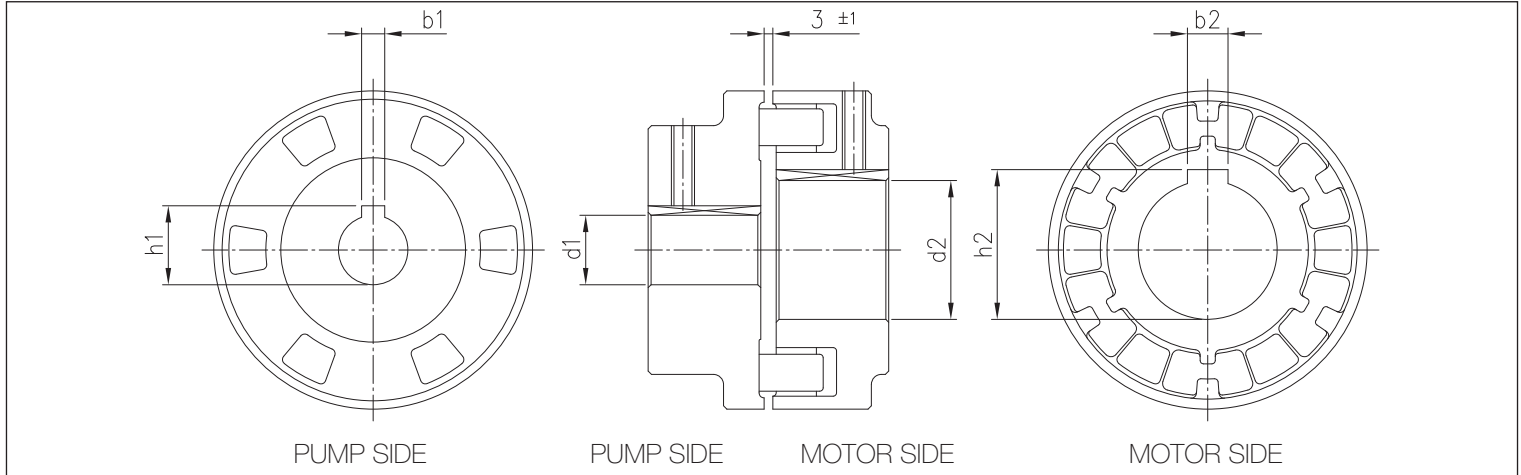
	[HP]	[kW]		d	d1	d2	d3	M	[mm]				
									L	L1	b	h	
32-125/2.26	3	2,2	90	19	22	24	39	M16x1,5	110	53	8	27,3	M8x8
32-160/3.06	4	3	100	19	22	28	43	M16x1,5	122	63	8	31,3	M8x8
32-160/4.06	5,5	4	112	19	22	28	43	M16x1,5	122	63	8	31,3	M8x8
32-200/5.56	7,5	5,5	132	19	22	38	58	M16x1,5	145	84	10	41,3	M8x8
32-200/7.56	10	7,5	132	19	22	38	58	M16x1,5	145	84	10	41,3	M8x8
40-125/3.06	4	3	100	19	22	28	43	M16x1,5	122	63	8	31,3	M8x8
40-125/4.06	5,5	4	112	19	22	28	43	M16x1,5	122	63	8	31,3	M8x8
40-160/5.56	7,5	5,5	132	19	22	38	58	M16x1,5	145	84	10	41,3	M8x8
40-160/7.56	10	7,5	132	19	22	38	58	M16x1,5	145	84	10	41,3	M8x8
40-200/116	15	11	160	19	22	42	63	M16x1,5	178	114	12	45,3	M8x8
40-200/156	20	15	160	19	22	42	63	M16x1,5	178	114	12	45,3	M8x8
50-125/5.56	7,5	5,5	132	19	22	38	58	M16x1,5	145	84	10	41,3	M8x8
50-125/7.56	10	7,5	132	19	22	38	58	M16x1,5	145	84	10	41,3	M8x8
50-160/116	15	11	160	19	22	42	63	M16x1,5	178	114	12	45,3	M8x8
50-160/156	20	15	160	19	22	42	63	M16x1,5	178	114	12	45,3	M8x8
65-125/5.56	7,5	5,5	132	19	22	38	58	M16x1,5	145	84	10	41,3	M8x8
65-125/7.56	10	7,5	132	19	22	38	58	M16x1,5	145	84	10	41,3	M8x8
65-160/9.26	12,5	9,2	132	19	22	38	58	M16x1,5	145	84	10	41,3	M8x8
65-160/116	15	11	160	19	22	42	63	M16x1,5	178	114	12	45,3	M8x8
65-160/156	20	15	160	24	30	42	63	M20x1,5	184	114	12	45,3	M8x8
65-200/156	20	15	160	24	30	42	63	M20x1,5	184	114	12	45,3	M8x8
65-200/18.56	25	18,5	160	24	30	42	63	M20x1,5	184	114	12	45,3	M8x8
65-200/226	30	22	180	24	30	48	72	M20x1,5	184	114	14	51,8	M10x10
65-250/306	40	30	200	24	30	55	85	M20x1,5	184	114	16	59,3	M12x12
65-250/376	50	37	200	24	30	55	85	M20x1,5	184	114	16	59,3	M12x12
80-160/18.56	25	18,5	160	24	30	42	63	M20x1,5	184	114	12	45,3	M8x8
80-160/226	30	22	180	24	30	48	72	M20x1,5	184	114	14	51,8	M10x10
80-200/226	30	22	180	24	30	48	72	M20x1,5	184	114	14	51,8	M10x10
80-200/306	40	30	200	24	30	55	85	M20x1,5	184	114	16	59,3	M12x12
80-200/376	50	37	200	24	30	55	85	M20x1,5	184	114	16	59,3	M12x12
80-250/456	60	45	225	29	35	55	85	M24x2	206	114	16	59,3	M12x12
80-250/556	75	55	250	29	35	60	89	M24x2	218	144	18	64,4	M12x12

The contents of this publication shall not be regarded as binding. EBARA Pumps Europe S.p.A. reserves the right to effect any modification it deems necessary, without prior notice.

# 3 - 3L SERIES

CENTRIFUGAL ELECTRIC PUMPS STANDARDISED IN COMPLIANCE WITH EN 733  
(EX DIN 24255)

## 3(L)P SERIES



	[HP]	[kW]		d1	b1	h1	[mm]	d2	b2	h2
32-125/2,26	3	2,2	90	24	8	27,3		24	8	27,3
32-160/3,06	4	3	100	24	8	27,3		28	8	31,3
32-160/4,06	5,5	4	112	24	8	27,3		28	8	31,3
32-200/5,56	7,5	5,5	132	24	8	27,3		38	10	41,3
32-200/7,56	10	7,5	132	24	8	27,3		38	10	41,3
40-125/3,06	4	3	100	24	8	27,3		28	8	31,3
40-125/4,06	5,5	4	112	24	8	27,3		28	8	31,3
40-160/5,56	7,5	5,5	132	24	8	27,3		38	10	41,3
40-160/7,56	10	7,5	132	24	8	27,3		38	10	41,3
40-200/116	15	11	160	24	8	27,3		42	12	45,3
40-200/156	20	15	160	24	8	27,3		42	12	45,3
50-125/5,56	7,5	5,5	132	24	8	27,3		38	10	41,3
50-125/7,56	10	7,5	132	24	8	27,3		38	10	41,3
50-160/116	15	11	160	24	8	27,3		42	12	45,3
50-160/156	20	15	160	24	8	27,3		42	12	45,3
65-125/5,56	7,5	5,5	132	24	8	27,3		38	10	41,3
65-125/7,56	10	7,5	132	24	8	27,3		38	10	41,3
65-160/9,26	12,5	9,2	132	24	8	27,3		38	10	41,3
65-160/116	15	11	160	24	8	27,3		42	12	45,3
65-160/156	20	15	160	24	8	27,3		42	12	45,3
65-200/156	20	15	160	24	8	27,3		42	12	45,3
65-200/18,56	25	18,5	160	24	8	27,3		42	12	45,3
65-200/226	30	22	180	24	8	27,3		48	14	51,8
65-250/306	40	30	200	32	10	35,3		55	16	59,3
65-250/376	50	37	200	32	10	35,3		55	16	59,3
80-160/18,56	25	18,5	160	24	8	27,3		42	12	45,3
80-160/226	30	22	180	24	8	27,3		48	14	51,8
80-200/226	30	22	180	32	10	35,3		48	14	51,8
80-200/306	40	30	200	32	10	35,3		55	16	59,3
80-200/376	50	37	200	32	10	35,3		55	16	59,3
80-250/456	60	45	225	32	10	35,3		55	16	59,3
80-250/556	75	55	250	32	10	35,3		60	18	64,4

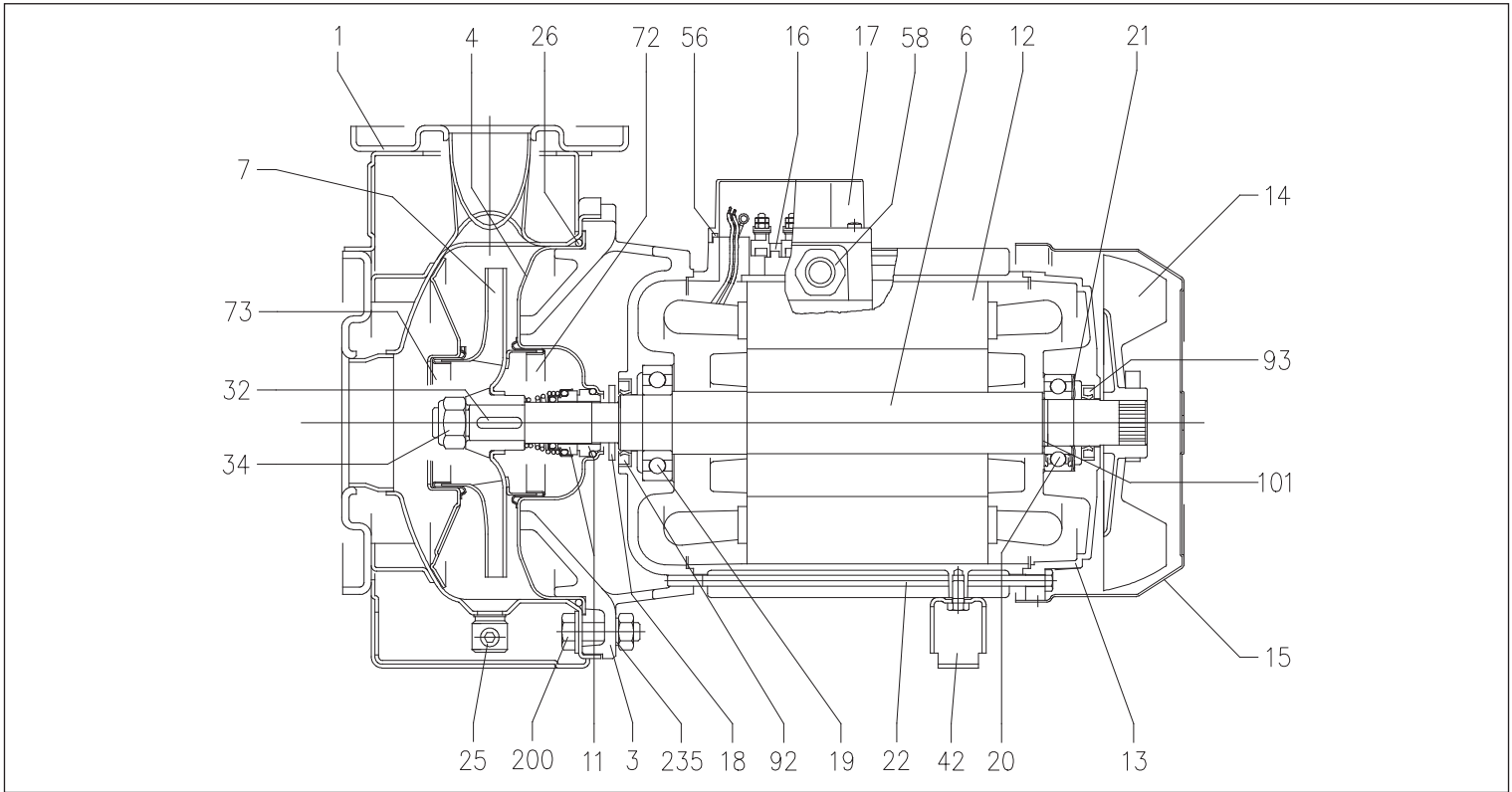
The contents of this publication must not be regarded as binding. EBARA Pumps Europe S.p.A. reserves the right to effect any modification it deems necessary, without prior notice.



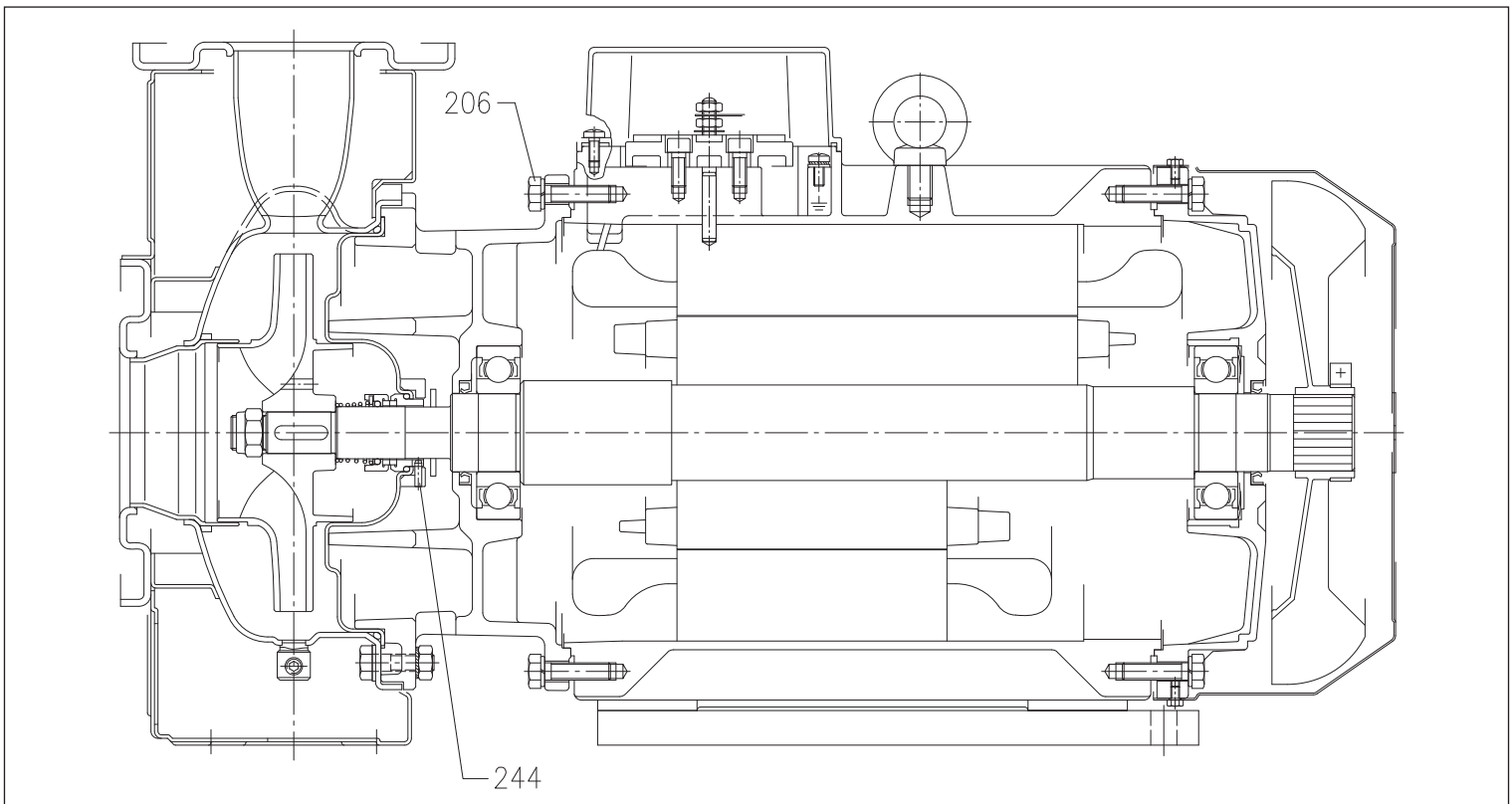
# 3 - 3L SERIES

CENTRIFUGAL ELECTRIC PUMPS STANDARDISED IN COMPLIANCE WITH EN 733  
(EX DIN 24255)

## 3(L)M SERIES 32, 40, 50, 65 - up to 11 kW



## 3(L)M 32, 40, 50, 65 SERIES - from 15 kW and over



The contents of this publication must not be regarded as binding. EBARA Pumps Europe S.p.A. reserves the right to effect any modification it deems necessary, without prior notice.

# 3 - 3L SERIES

## CENTRIFUGAL ELECTRIC PUMPS STANDARDISED IN COMPLIANCE WITH EN 733 (EX DIN 24255)

Ref.		3M	3LM
001	Pump casing	EN 1.4301 (AISI 304)	EN 1.4404 (AISI 316L)
003	Motor bracket		[2]
004	Casing cover	EN 1.4301 (AISI 304)	EN 1.4404 (AISI 316L)
006	Shaft	EN 1.4301 (AISI 304)	EN 1.4404 (AISI 316L)
007	Impeller	EN 1.4301 (AISI 304) [4]	EN 1.4404 (AISI 316L) [4]
011	Mechanical seal	Carbon/Ceramic/NBR	SiC/SiC/FPM
012	Motor frame		-
013	Motor cover		Aluminium
014	Fan		PA
015	Fan cover		Galvanised steel Fe P04
016	Terminal box		-
017	Terminal box cover		Aluminium (three phase version)
018	Spray protector washer	NBR	-
019	Bearing (pump side)		-
020	Bearing (motor side)		-
021	Adjusting ring		Steel C70
022	Tie-rod		Galvanised steel Fe 42
025	Plug		EN 1.4401 (AISI 316) / PTFE
026	O-Ring	NBR [3]	FPM
032	Key		EN 1.4401 (AISI 316)
034	Impeller nut		A.270 EN ISO 35062 [5]
042	Motor support		Aluminium / Galvanised Steel
056	Terminal box gasket		NBR
058	Cable gland		-
072	Casing ring [1]	EN 1.4301 (AISI 304)	EN 1.4404 (AISI 316L)
073	Casing ring	EN 1.4301 (AISI 304)	EN 1.4404 (AISI 316L)
092	Seal ring	-	-
093	Seal ring	-	-
101	Seeger ring		Carbon steel TC 80
200	Screw (pump body)		Stainless steel A2 70 class ISO 3506/1
206	Screw (bracket) [6]		Zincate steel 8.8 strenght class ISO 898/1
235	Washer		EN 1.4301 (AISI 304)
244	Pin [7]		EN 1.4301 (AISI 304)

[1]= For 32-200/5.56, 32-200/7.56, 40-200/5.5, 40-200/116, 40-200/156, 50-160/116, 50-160/156 models

[2]= Aluminium EN 1706 AC 46000 D for 40-200/116, 40-200/156, 50-160/116, 50-160/156, 50-200/9.26, 50-200/116, 65-160/9.26, 65-160/116 models, cast iron EN-GJL-200-EN 1561 for other models

[3]= FPM for H, HS, HW, HSW versions, EPDM for E version

[4]= EN 1.4401 (AISI 316) for 3(L)M 65

[5]= EN 1.4301 (AISI 304) for 3M 65, EN 1.4404 (AISI 316L) for 3LM 65

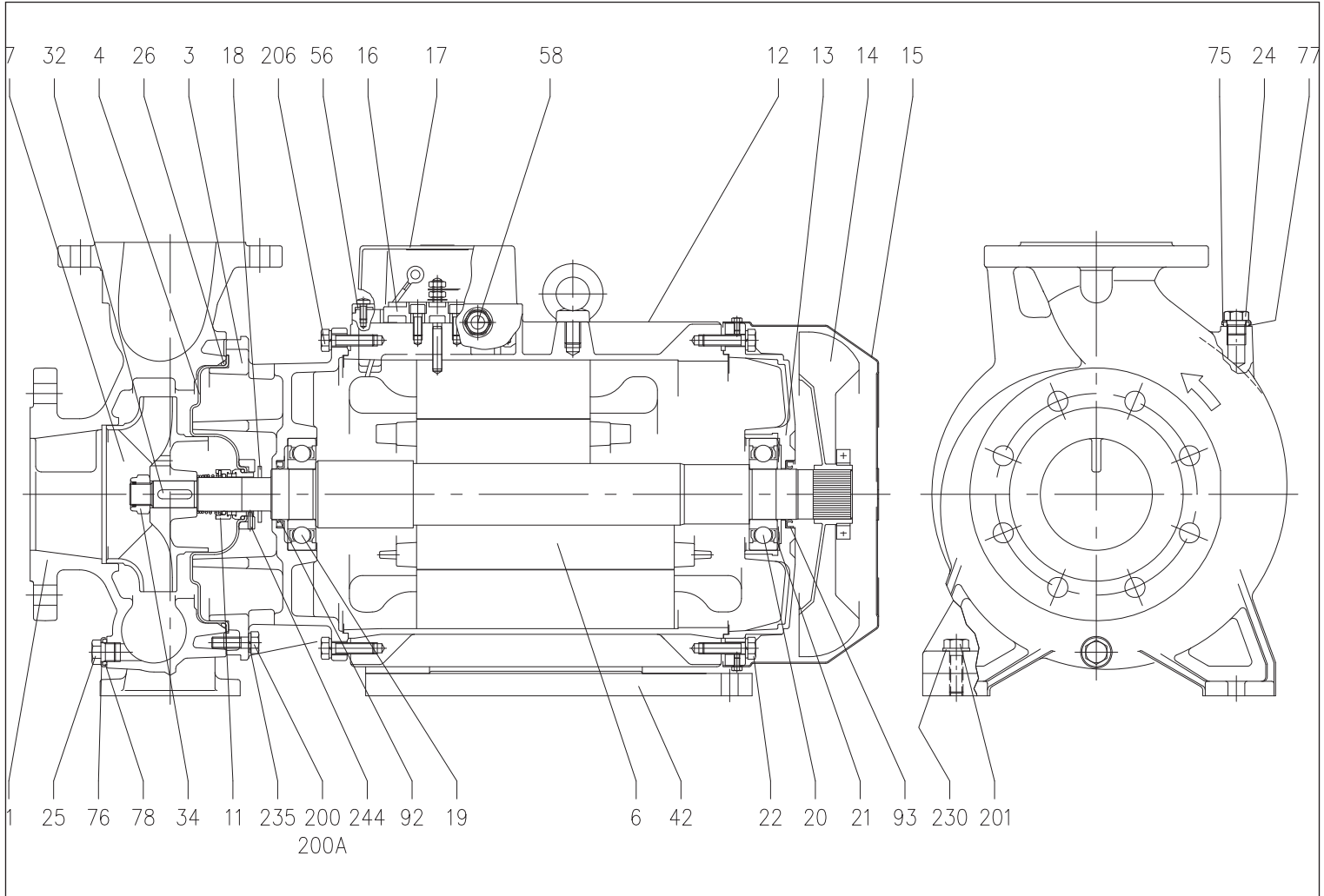
[6]= For 3(L)M 65 from 15kW and above only

[7]= For 3(L)M 65-160/156 and 65-200 only

# 3 - 3L SERIES

CENTRIFUGAL ELECTRIC PUMPS STANDARDISED IN COMPLIANCE WITH EN 733  
(EX DIN 24255)

## 3LM 80-160



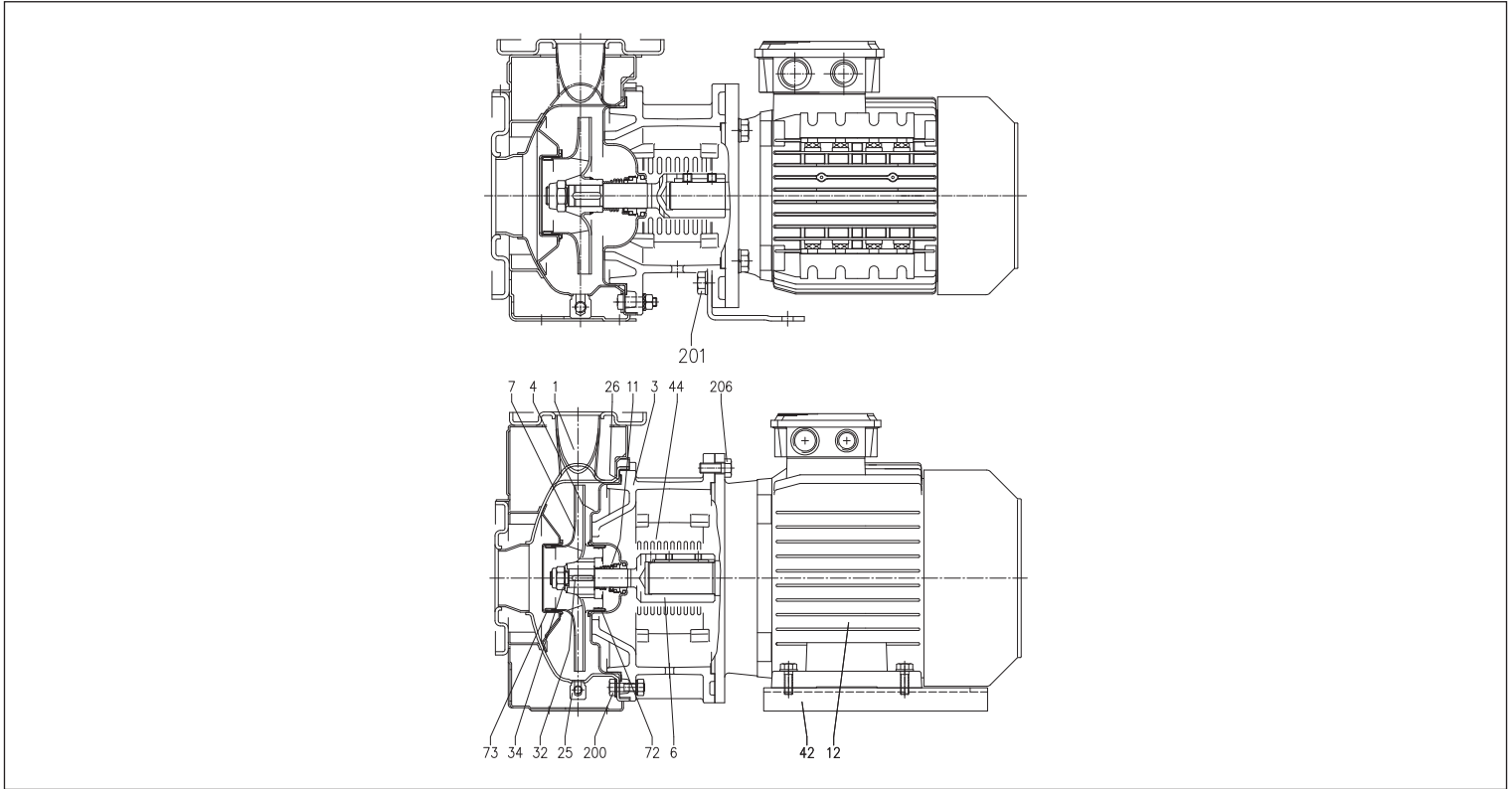
Ref.		Ref.	
001	Pump casing	026	O-Ring
003	Motor bracket	032	Key
004	Casing cover	034	Impeller nut
006	Shaft with rotor	042	Motor support
007	Impeller	056	Terminal box gasket
011	Mechanical seal	058	Fastening nut
012	Motor frame with stator	075	Washer
013	Motor cover	076	Washer
014	Fan	077	O-Ring
015	Fan cover	078	O-Ring
016	Terminal box	092	Seal ring
017	Terminal box cover	093	Seal ring
018	Spray protector washer	200	Screw
019	Bearing (pump side)	200A	Screw
020	Bearing (motor side)	201	Screw
021	Adjusting ring	206	Screw for bracket
022	Screw	230	Washer
024	Plug	235	Washer
025	Plug	244	Plug [1]

[1]= Not for H, HW, HSW, E version  
[2]= EPDM for E version

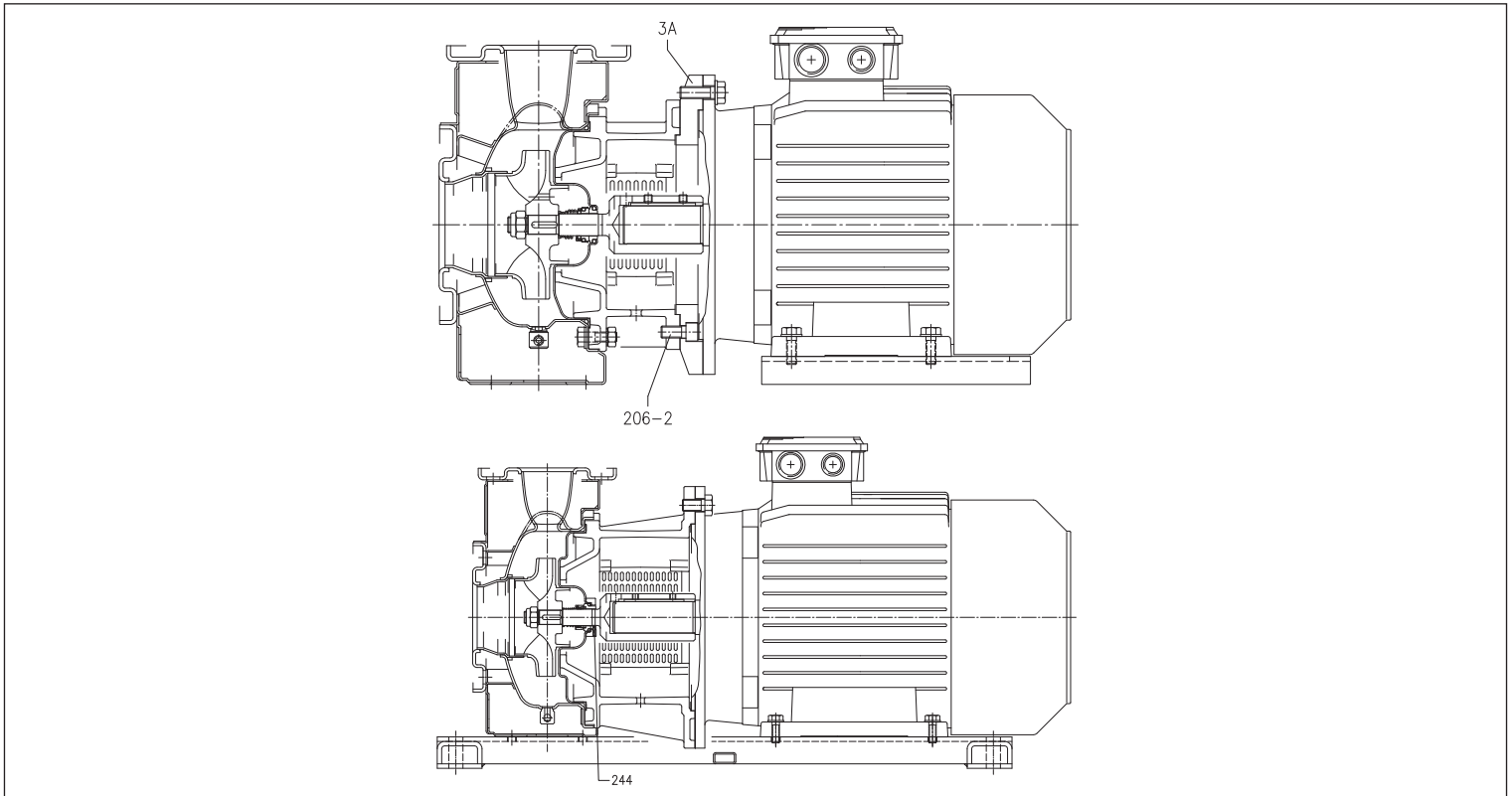
# 3 - 3L SERIES

CENTRIFUGAL ELECTRIC PUMPS STANDARDISED IN COMPLIANCE WITH EN 733  
(EX DIN 24255)

3(L)S 32, 40, 50



3(L)S 65-125/160/200



The contents of this publication must not be regarded as binding. EBARA Pumps Europe S.p.A. reserves the right to effect any modification it deems necessary without prior notice.

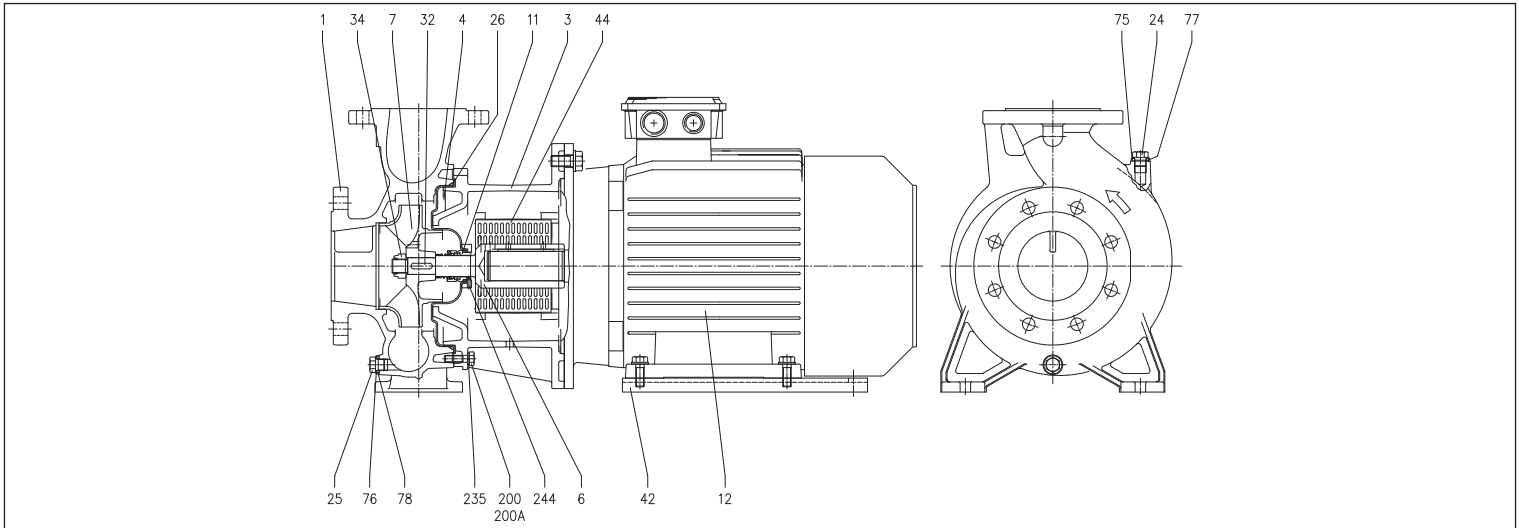
# 3 - 3L SERIES

**CENTRIFUGAL ELECTRIC PUMPS STANDARDISED IN COMPLIANCE WITH EN 733 (EX DIN 24255)**

Ref.		3S	3LS
001	Pump casing	EN 1.4301 (AISI 304)	EN 1.4404 (AISI 316L)
003	Motor bracket		Cast iron EN-GJL-200-EN 1561
003A	Adapter ring [1]		Cast iron EN-GJL-200-EN 1561
004	Casing cover	EN 1.4301 (AISI 304)	EN 1.4404 (AISI 316L)
006	Joint - Part in contact with the liquid	EN 1.4301 (AISI 304)	EN 1.4404 (AISI 316L)
007	Impeller	EN 1.4301 (AISI 304)	EN 1.4404 (AISI 316L)
011	Mechanical seal	Carbon/Ceramic/NBR	SIC/SIC/FPM
012	Motor		-
025	Plug		EN 1.4401 (AISI 316) / PTFE
026	O-Ring	NBR [4]	FPM
032	Key		EN 1.4401 (AISI 316)
034	Impeller nut	EN 1.4301 (AISI 304)	EN 1.4404 (AISI 316L)
042	Motor support		Aluminium / Galvanised Steel
044	Support protection		EN 1.4301 (AISI 304)
072	Casing ring [2]	EN 1.4301 (AISI 304)	EN 1.4404 (AISI 316L)
073	Casing ring (not for 65)	EN 1.4301 (AISI 304)	EN 1.4404 (AISI 316L)
200	Screw (pump body)		Stainless steel A2 70 class ISO 3506/1
201	Screw		Zn. Steel 8.8 strenght class ISO 898/1
206	Support screw		Zn. Steel 8.8 strenght class ISO 898/1
206-2	Adapter ring screw [5]		Zn. Steel 8.8 strenght class ISO 898/1
235	Washer		Stainless steel A2 70 class ISO 3506/1
244	Plug [3]	-	EN 1.4301 (AISI 304)

- [1]= For 65-125/5.56 and 65-125/7.56 versions only  
 [2]= For 32-200, 40-200, 50-160 versions only  
 [3]= For 65-160/156, 65-200 versions only  
 [4]= FPM for H, HS, HW, HSW versions and EPDM for E version  
 [5]= For 65-125/5.56 and 65-125/7.56 versions only

## 3LS 80-160



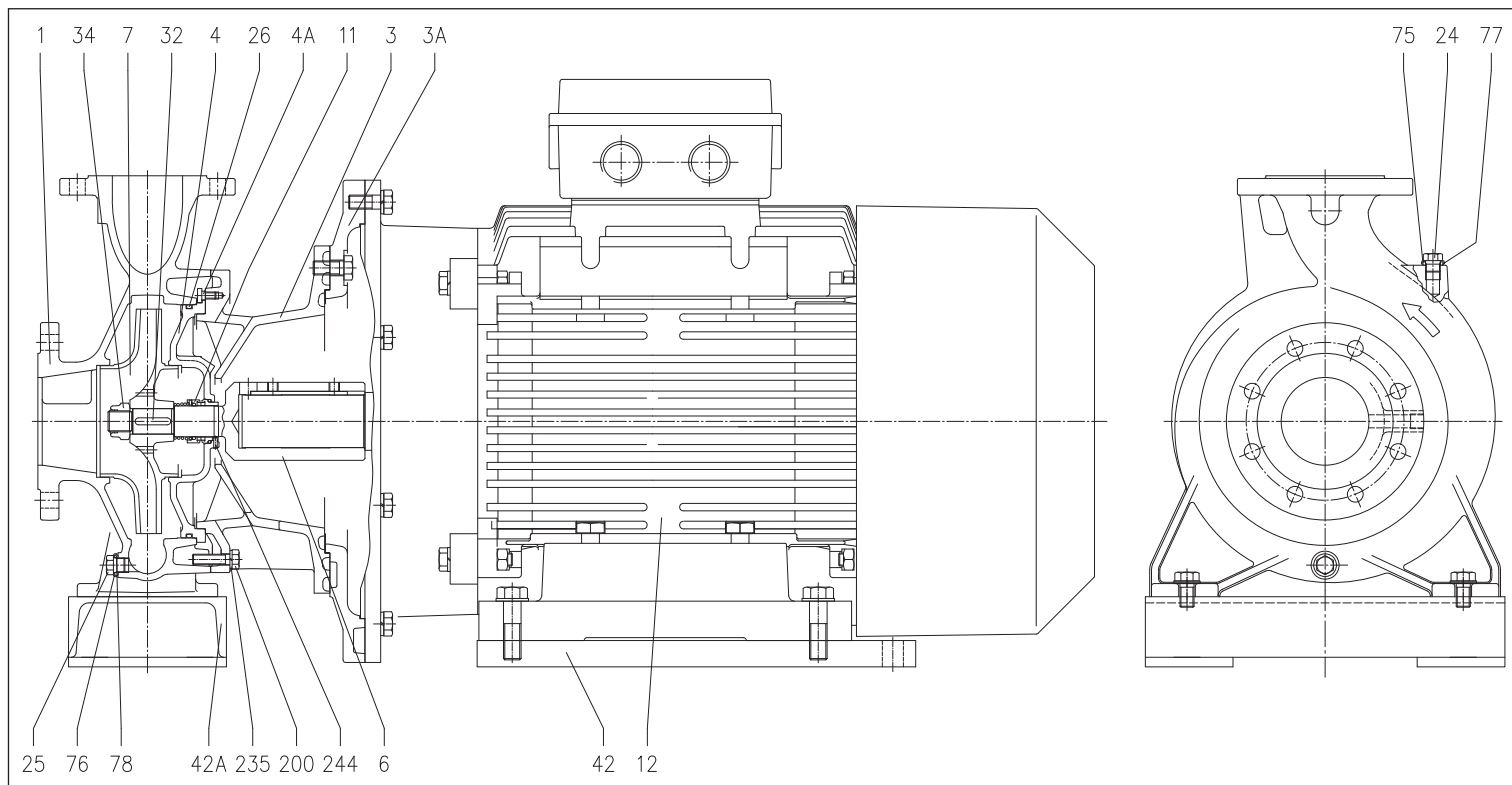
Ref.		Ref.	
001	Pump casing	034	Impeller nut
003	Motor bracket	042	Motor support
004	Casing cover	044	Protection
006	Joint	075	Washer
007	Impeller	076	Washer
011	Mechanical seal	077	O-Ring
012	Motor	078	O-Ring
024	Plug	200	Screw
025	Plug	200A	Screw
026	O-Ring	235	Washer
032	Key	244	Plug [1]
			EN 1.4404 (AISI 316L)
			Aluminium
			EN 1.4301 (AISI 304)
			EN 1.4404 (AISI 316L)
			FPM [2]
			Stainless steel A2-70 class ISO 3506/1
			Stainless steel A2-70 class ISO 3506/1
			EN 1.4301(AISI 304)
			EN 1.4301(AISI 304)

- [1]= Not for H, HW, HSW, E version [2]= EPDM for E version

# 3 - 3L SERIES

CENTRIFUGAL ELECTRIC PUMPS STANDARDISED IN COMPLIANCE WITH EN 733  
(EX DIN 24255)

## 3LS 65-250,80-200/250



Ref.			Ref.		
001	Pump casing	EN 1.4401 (AISI 316)			
003	Motor bracket	Cast iron EN-GJL-200-EN 1561	032	Key	65-250 d=24 mm 80-200 d=24 mm 80-250 d=29 mm
003A	Adapter ring	Cast iron EN-GJL-200-EN 1561			EN 1.4401 (AISI 316)
004	Casing cover	EN 1.4401 (AISI 316)			
004A	Screw for casing cover	EN 1.4301(AISI 304)	034	Impeller nut	65-250 d=24 mm 80-200 d=24 mm 80-250 d=29 mm
006	Joint	65-250 d=24 mm EN 1.4404 (AISI 316L) for 22 kW EN 1.4462 (Duplex stainless steel) for 30-37 kW	042	Motor bracket	Aluminium
		80-200 d=24 mm EN 1.4404 (AISI 316L) for 22 kW EN 1.4462 (Duplex stainless steel)	042A	Pump bracket	Aluminium/zincate steel (only for 80-250/55)
		80-250 d=29 mm EN 1.4462 (duplex steel)	075	Washer (plug)	EN 1.4404 (AISI 316L)
007	Impeller	EN 1.4401 (AISI 316)	076	Washer (plug)	EN 1.4404 (AISI 316L)
011	Mechanical seal	SiC/SiC/FPM	077	O-Ring (plug)	FPM [2]
012	Motor	-	078	O-Ring (plug)	
024	Plug	EN 1.4404 (AISI 316L)	200	Screw (pump body)	
025	Plug	EN 1.4404 (AISI 316L)	235	Washer	C70
026	O-Ring	FPM [2]	244	Plug [1]	EN 1.4301(AISI 304)

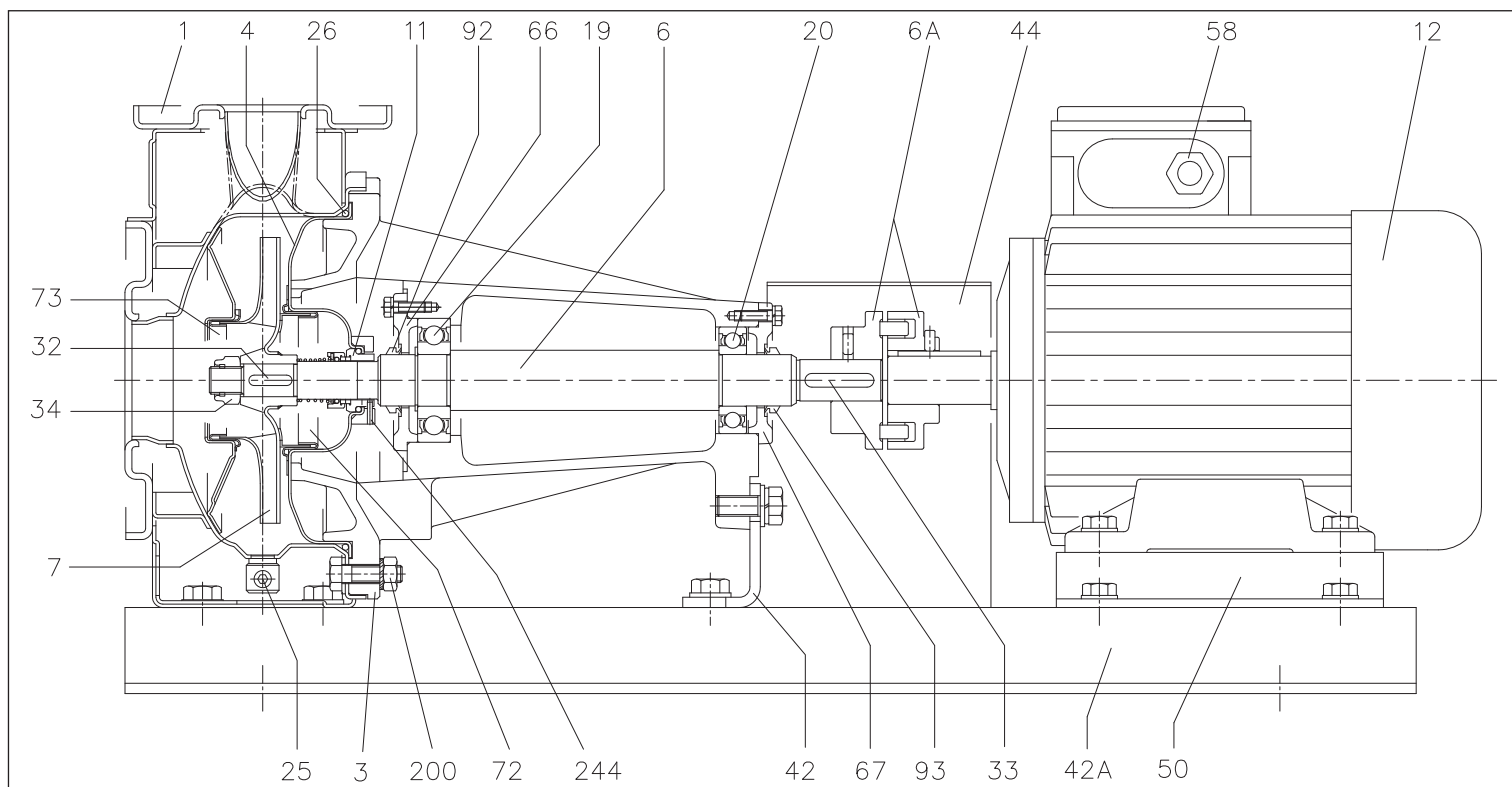
[1]= Not for H, HW, HSW, E version

[2]= EPDM for E version

# 3 - 3L SERIES

CENTRIFUGAL ELECTRIC PUMPS STANDARDISED IN COMPLIANCE WITH EN 733  
(EX DIN 24255)

3(L)P 32, 40, 50, 65-125/160/200



Ref.		3P	3LP
001	Pump casing	EN 1.4301 (AISI 304)	EN 1.4404 (AISI 316L)
003	Motor bracket	Cast iron EN-GJL-200-EN 1561	
004	Casing cover	EN 1.4301 (AISI 304)	EN 1.4404 (AISI 316L)
006	Shaft - Part in contact with the liquid	EN 1.4301 (AISI 304)	EN 1.4404 (AISI 316L)
006A	Flexible coupling	Cast iron EN-GJL-250-EN 1561	
007	Impeller	EN 1.4301 (AISI 304)	EN 1.4404 (AISI 316L)
011	Mechanical seal	Carbon/Ceramic/NBR	SiC/SiC/PPM
012	Motor	-	
019	Bearing (pump side)	-	
020	Bearing (motor side)	-	
025	Plug	EN 1.4401 (AISI 316) / PTFE	
026	O-Ring	NBR [3]	FPM
032	Key	EN 1.4401 (AISI 316)	
033	Key	C 40	
034	Impeller nut	EN 1.4301 (AISI 304)	EN 1.4404 (AISI 316L)
042	Motor support	Fe 37 galvanised steel	
042A	Base	Fe 37 galvanised steel	
044	Joint cover	Fe 37 galvanised steel	
050	Motor support	Aluminium / Galvanised Steel	
058	Cable gland	-	
066	Impeller side bearing cover	Cast iron EN-GJL-250-EN 1561	
067	Motor side bearing cover	Cast iron EN-GJL-250-EN 1561	
072	Casing ring [1]	EN 1.4301 (AISI 304)	EN 1.4404 (AISI 316L)
073	Casing ring (not for 65 version)	EN 1.4301 (AISI 304)	EN 1.4404 (AISI 316L)
092	V ring	-	
093	V ring	-	
200	Screw (pump body)	Stainless steel A2 70 class ISO 3506/1	
244	Plug [2]	-	EN 1.4301 (AISI 304)

[1]= For 32-200/5.56, 40-200/116, 50-200/116, 50-200/156 versions only

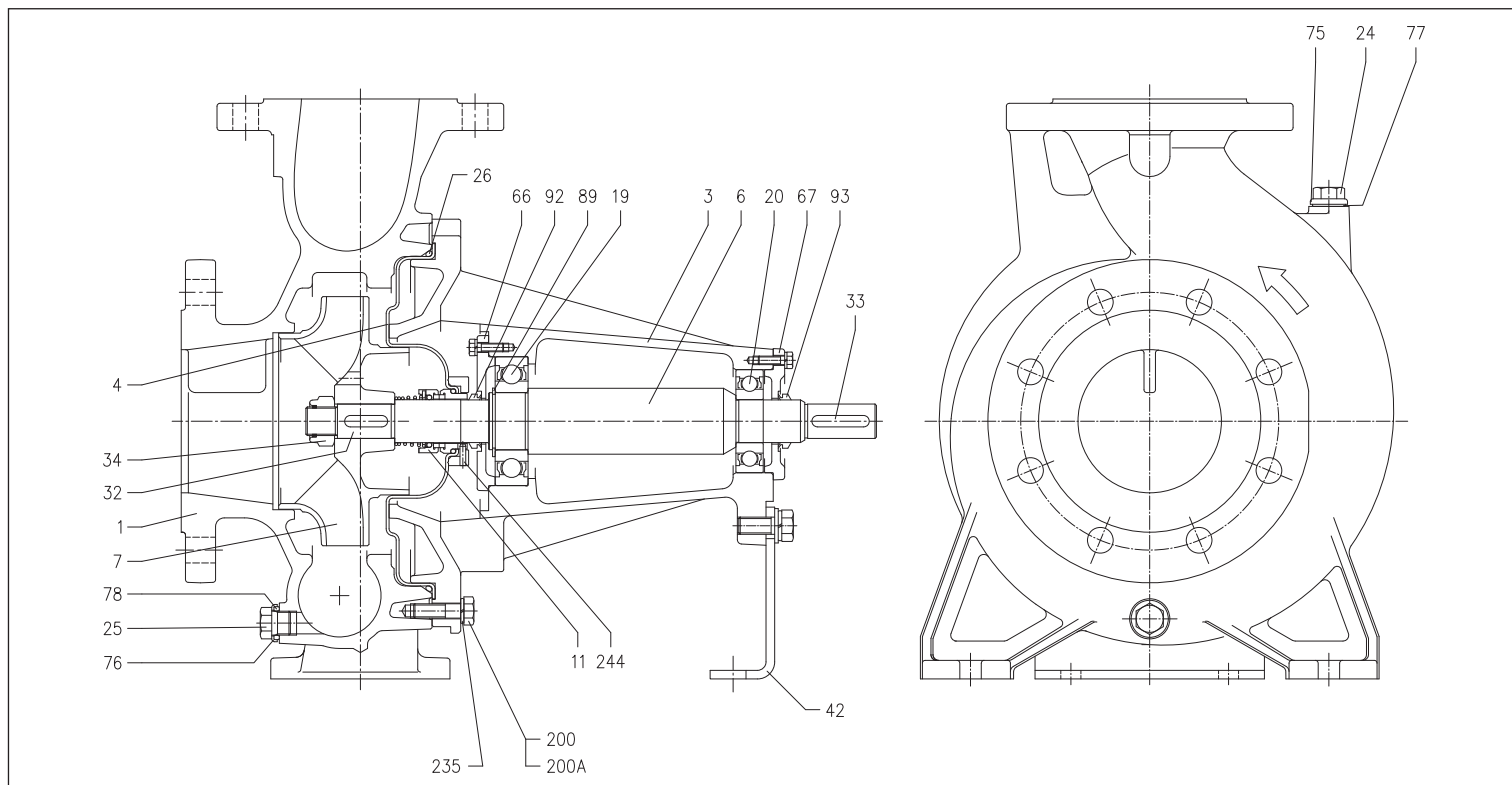
[2]= For 65-160/156 and 65-200 versions only

[3]= FPM for H, HS, HW, HSW versions and EPDM for E version

# 3 - 3L SERIES

CENTRIFUGAL ELECTRIC PUMPS STANDARDISED IN COMPLIANCE WITH EN 733  
(EX DIN 24255)

3LP 80-160



Ref.			Ref.		
001	Pump casing	EN 1.4401 (AISI 316)	050	Foot	Aluminium
003	Motor bracket	Cast iron EN-GJL-200-EN 1561	050A	Pump spacer	-
004	Casing cover	EN 1.4404 (AISI 316L)	050B	Pump spacer	-
006	Shaft	EN 1.4404 (AISI316L) Part in contact with the liquid	050C	Spacer for protection	-
006A	Flexible coupling	Cast iron EN-GJL-250-EN 1561	066	Impeller side bearing cover	Cast iron EN-GJL-200-EN 1561
007	Impeller	EN 1.4401 (AISI 316)	067	Motor side bearing cover	Cast iron EN-GJL-200-EN 1561
011	Mechanical seal	SiC/SiC/FPM	075	Washer	EN 1.4404 (AISI 316L)
012	Motor	-	076	Washer	-
019	Bearing (pump side)	-	077	O-Ring	FPM [2]
020	Bearing (motor side)	-	078	O-Ring	-
024	Plug	EN 1.4404 (AISI 316L)	089	Seeger ring	Carbon tool steels TC 80
025	Plug	EN 1.4404 (AISI 316L)	092	"V" ring	-
026	O-Ring	FPM [2]	093	"V" ring	-
032	Key	EN 1.4401 (AISI 316)	200	Screw	Stainless steel A2 70 class ISO 3506/1
033	Key	C 40	200A	Screw	Stainless steel A2 70 class ISO 3506/1
034	Impeller nut	EN 1.4404 (AISI 316L)	235	Washer	EN 1.4301(AISI 304)
042	Motor support	Galvanised Steel	244	Plug [1]	EN 1.4301(AISI 304)
042A	Base	Galvanised Steel			
044	Joint cover	Galvanised Steel			

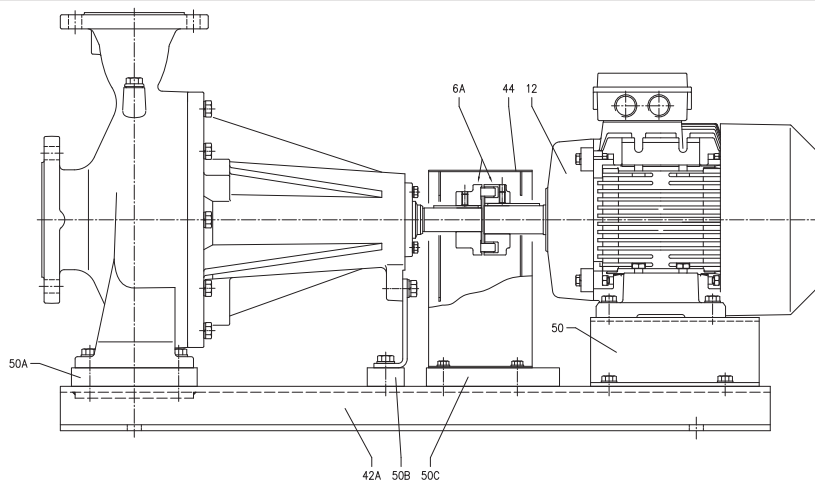
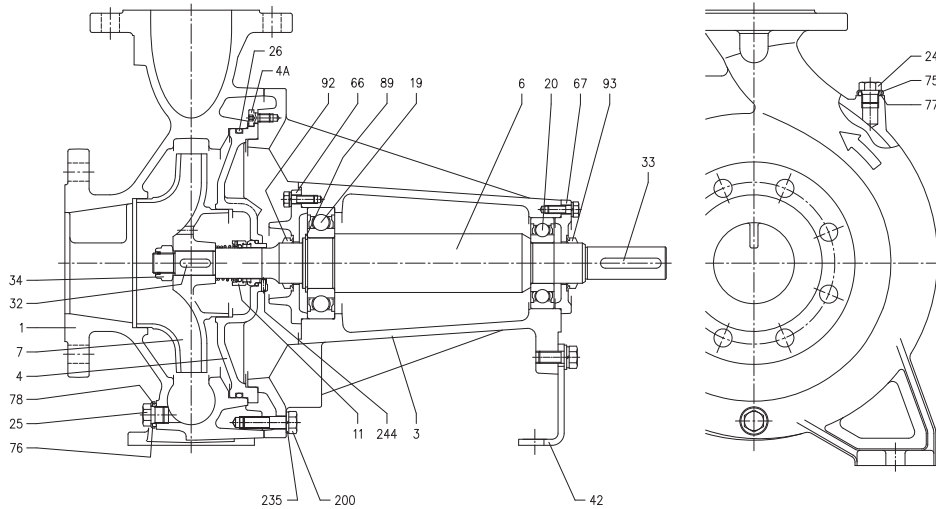
[1]= Not for H, HW, HSW, E version  
[2]= EPDM for E version



# 3 - 3L SERIES

CENTRIFUGAL ELECTRIC PUMPS STANDARDISED IN COMPLIANCE WITH EN 733  
(EX DIN 24255)

3LP 65-250, 80-200/250



Ref.		Ref.				
001	Pump casing	EN 1.4401 (AISI 316)	042	Motor support	Galvanised Steel	
003	Motor bracket	Cast iron EN-GJL-200-EN 1561	042A	Base	Galvanised Steel	
004	Casing cover	EN 1.4401 (AISI 316)	044	Joint cover	Galvanised Steel	
004A	Screw for casing cover	EN 1.4301(AISI 304)	050	Motor support	Aluminium	
006	Shaft - Part in contact with the liquid	EN 1.4462 (Duplex stainless steel)	050A	Pump spacer	Aluminium	
006A	Flexible coupling	Cast iron EN-GJL-200-EN 1561	050B	Pump spacer	Aluminium	
007	Impeller	EN 1.4401 (AISI316)	050C	Joint cover spacer	Aluminium	
011	Mechanical seal	SiC/SiC/FPM	066	Impeller side bearing cover	Cast iron EN-GJL-200-EN 1561	
012	Motor	-	067	Motor side bearing cover	Cast iron EN-GJL-200-EN 1561	
019	Bearing (pump side)	-	075	Washer	EN 1.4404 (AISI 316L)	
020	Bearing (motor side)	-	076	Washer		
024	Plug	EN 1.4404 (AISI 316L)	077	O-Ring	FPM [2]	
025	Plug	EN 1.4404 (AISI 316L)	078	O-Ring		
026	O-Ring	FPM [2]	089	Seeger ring	Carbon tool steels TC 80	
032	Key	65-250 d=24 mm	EN 1.4401 (AISI 316)	092	"V" ring	-
		80-200 d=24 mm		093	"V" ring	-
		80-250 d=29 mm		200	Screw (pump body)	Stainless steel A2 70 class ISO 3506/1
033	Key	C 40	235	Washer	EN 1.4301 (AISI 304)	
			244	Plug [1]	EN 1.4301 (AISI 304)	
034	Impeller nut	EN 1.4404 (AISI 316L)				

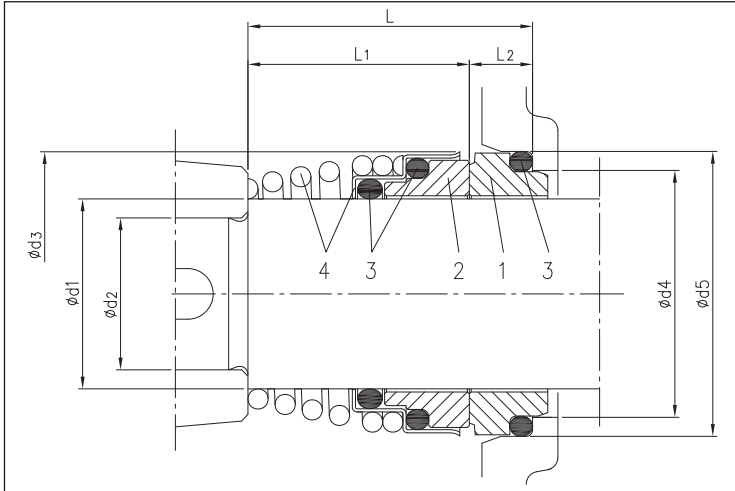
[1]= Not for H, HW, HSW, E version

[2]= EPDM for E version

# 3 - 3L SERIES

CENTRIFUGAL ELECTRIC PUMPS STANDARDISED IN COMPLIANCE WITH EN 733  
(EX DIN 24255)

standard version



Ref.		3 SERIES	3L SERIES
1	Fixed part	Carbon	SiC
2	Rotating part	Ceramic	SiC
3	Gasket	NBR	FPM
4	Frame + spring	EN 1.4401 (AISI 316)	EN 1.4571 (AISI 316Ti)

## 3 SERIES (on request)

	H version	HS version	HW version	HSW version	E version
Fixed part	Carbon	SiC	Tungsten Carbide	Tungsten Carbide	Carbon
Rotating part	Ceramic	SiC	Tungsten Carbide	SiC	Ceramic
Elastomers	FPM	FPM	FPM	FPM	EPDM
Spring	AISI 316	AISI 316Ti	AISI 316	AISI 316	AISI 316Ti
Structure/Frame	AISI 316	AISI 316Ti	AISI 316	AISI 316	AISI 316Ti

## 3 SERIESL (on request)

	H version	HW version	HSW version	E version*	ES version**
Fixed part	Carbon	Tungsten Carbide	Tungsten Carbide	Carbon	Carbon
Rotating part	Ceramic	Tungsten Carbide	SiC	Ceramic	SiC
Elastomers	FPM	FPM	FPM	EPDM	EPDM
Spring	AISI 316	AISI 316	AISI 316	AISI 316Ti	AISI 316Ti
Structure/Frame	AISI 316	AISI 316	AISI 316	AISI 316Ti	AISI 316Ti

\* Not available for 3L SERIES 80-250

\*\* Available only for 3L SERIES 80-250

# 3 - 3L SERIES

CENTRIFUGAL ELECTRIC PUMPS STANDARDISED IN COMPLIANCE WITH EN 733  
(EX DIN 24255)

## 3(L)M SERIES

	P <sub>2</sub>		P <sub>1</sub> [kW]	Absorbed Current [A]			
	[HP]	[kW]		220V	380V	460V	660V
3(L)M 32-125/2.26	3,0	2,2	2,9	7,0	4,1	4,1	-
3(L)M 32-160/3.06	4,0	3,0	3,9	10,5	6,1	5,6	-
3(L)M 32-160/4.06	5,5	4,0	5,1	14,7	8,5	8,0	-
3(L)M 32-200/5.56	7,5	5,5	7,0	-	11,6	9,5	6,7
3(L)M 32-200/7.56	10,0	7,5	9,4	-	14,9	12,7	8,6
3(L)M 40-125/3.06	4,0	3,0	3,9	10,5	6,1	5,6	-
3(L)M 40-125/4.06	5,5	4,0	5,1	14,7	8,5	8,0	-
3(L)M 40-160/5.56	7,5	5,5	7,0	-	11,6	9,5	6,7
3(L)M 40-160/7.56	10,0	7,5	9,4	-	14,9	12,7	8,6
3(L)M 40-200/116	15,0	11,0	11,3	-	17,7	15,4	10,3
3(L)M 40-200/156	20,0	15,0	17,9	-	28,7	25,0	16,6
3(L)M 50-125/5.56	7,5	5,5	7,0	-	11,6	9,5	6,7
3(L)M 50-125/7.56	10,0	7,5	9,4	-	14,9	12,7	8,6
3(L)M 50-160/116	15,0	11,0	11,3	-	17,7	15,4	10,3
3(L)M 50-160/156	20,0	15,0	17,9	-	28,7	25,0	16,6
3(L)M 65-125/5.56	7,5	5,5	7,0	-	11,6	9,5	6,7
3(L)M 65-125/7.56	10,0	7,5	9,4	-	14,9	12,7	8,6
3(L)M 65-160/9.26	13,0	9,2	11,3	-	17,7	15,4	10,3
3(L)M 65-160/116	15,0	11,0	13,2	-	18,3	18,3	10,5
3(L)M 65-160/156	20,0	15,0	17,9	-	28,7	25,0	16,6
3(L)M 65-200/156	20,0	15,0	17,9	-	28,7	25,0	16,6
3(L)M 65-200/18.56	25,0	18,5	21,9	-	34,8	31,0	20,1
3(L)M 65-200/226	30,0	22,0	26,4	-	41,7	36,4	24,0
3LM 80-160/18.56	25,0	18,5	21,9	-	34,8	31,0	20,1
3LM 80-160/226	30,0	22,0	26,4	-	41,7	36,4	24,0

## 3(L)S - 3(L)P SERIES

		P <sub>2</sub>		P <sub>1</sub> [kW]	Absorbed Current [A]	
		[HP]	[kW]		265V	460V
3(L)S 32-125/2.26	3(L)P 32-125/2.26	3	2,2	2,65	7,1	4,1
3(L)S 32-160/3.06	3(L)P 32-160/3.06	4	3	3,56	9,0	5,2
3(L)S 32-160/4.06	3(L)P 32-160/4.06	5,5	4	4,70	12,3	7,1
3(L)S 32-200/5.56	3(L)P 32-200/5.56	7,5	5,5	6,22	-	9,3
3(L)S 32-200/7.56	3(L)P 32-200/7.56	10	7,5	8,36	-	12,2
3(L)S 40-125/3.06	3(L)P 40-125/3.06	4	3	3,56	9,0	5,2
3(L)S 40-125/4.06	3(L)P 40-125/4.06	5,5	4	4,70	12,3	7,1
3(L)S 40-160/5.56	3(L)P 40-160/5.56	7,5	5,5	6,22	-	9,3
3(L)S 40-160/7.56	3(L)P 40-160/7.56	10	7,5	8,36	-	12,2
3(L)S 40-200/116	3(L)P 40-200/116	15	11	12,15	-	18,6
3(L)S 40-200/156	3(L)P 40-200/156	20	15	16,71	-	23,3
3(L)S 50-125/5.56	3(L)P 50-125/5.56	7,5	5,5	6,22	-	9,3
3(L)S 50-125/7.56	3(L)P 50-125/7.56	10	7,5	8,36	-	12,2
3(L)S 50-160/116	3(L)P 50-160/116	15	11	12,15	-	18,6
3(L)S 50-160/156	3(L)P 50-160/156	20	15	16,71	-	23,3
3(L)S 65-125/5.56	3(L)P 65-125/5.56	7,5	5,5	6,22	-	9,3
3(L)S 65-125/7.56	3(L)P 65-125/7.56	10	7,5	8,36	-	12,2
3(L)S 65-160/9.26	3(L)P 65-160/9.26	12,5	9,2	10,40	-	14,5
3(L)S 65-160/116	3(L)P 65-160/116	15	11	12,15	-	18,6
3(L)S 65-160/156	3(L)P 65-160/156	20	15	16,71	-	23,3
3(L)S 65-200/156	3(L)P 65-200/156	20	15	16,71	-	23,3
3(L)S 65-200/18.56	3(L)P 65-200/18.56	25	18,5	20,32	-	31,1
3(L)S 65-200/226	3(L)P 65-200/226	30	22	24,11	-	34,0
3LS 65-250/306	3LP 65-250/306	40	30	32,58	-	47,0
3LS 65-250/376	3LP 65-250/376	50	37	40,16	-	56,0
3LS 80-160/18.56	3LP 80-160/18.56	25	18,5	20,32	-	31,1
3LS 80-160/226	3LP 80-160/226	30	22	24,11	-	34,0
3LS 80-200/226	3LP 80-200/226	30	22	24,11	-	34,0
3LS 80-200/306	3LP 80-200/306	40	30	32,58	-	47,0
3LS 80-200/376	3LP 80-200/376	50	37	40,16	-	56,0
3LS 80-250/456	3LP 80-250/456	60	45	48,22	-	68,0
3LS 80-250/556	3LP 80-250/556	75	55	58,50	-	82,5

# 3 - 3L SERIES

**CENTRIFUGAL ELECTRIC PUMPS STANDARDISED IN COMPLIANCE WITH EN 733  
(EX DIN 24255)**

	P <sub>2</sub>		L <sub>pA</sub> - dB(A)*
	[HP]	[kW]	
3(L)M 32-125/2.26	3,0	2,2	72
3(L)M 32-160/3.06	4,0	3,0	76
3(L)M 32-160/4.06	5,5	4,0	76
3(L)M 32-200/5.56	7,5	5,5	80
3(L)M 32-200/7.56	10,0	7,5	80
3(L)M 40-125/3.06	4,0	3,0	76
3(L)M 40-125/4.06	5,5	4,0	76
3(L)M 40-160/5.56	7,5	5,5	80
3(L)M 40-160/7.56	10,0	7,5	80
3(L)M 40-200/11.6	15,0	11,0	85
3(L)M 40-200/15.6	20,0	15,0	85
3(L)M 50-125/5.56	7,5	5,5	80
3(L)M 50-125/7.56	10,0	7,5	80
3(L)M 50-160/11.6	15,0	11,0	85
3(L)M 50-160/15.6	20,0	15,0	85
3(L)M 65-125/5.56	7,5	5,5	80
3(L)M 65-125/7.56	10,0	7,5	80
3(L)M 65-160/9.26	13,0	9,2	85
3(L)M 65-160/11.6	15,0	11,0	85
3(L)M 65-160/15.6	20,0	15,0	88
3(L)M 65-200/15.6	20,0	15,0	88
3(L)M 65-200/18.56	25,0	18,5	88
3(L)M 65-200/22.6	30,0	22,0	88
3LM 80-160/18.56	25,0	18,5	88
3LM 80-160/22.6	30,0	22,0	88

\* Mean value of several measures at 1m distance around the pump.  
Tolerance ± 2.5 dB.

		P <sub>2</sub>		L <sub>pA</sub> - dB(A)*
		[HP]	[kW]	
3(L)S 32-125/2.26	3(LP 32-125/2.26)	3	2,2	70
3(L)S 32-160/3.06	3(LP 32-160/3.06)	4	3	74
3(L)S 32-160/4.06	3(LP 32-160/4.06)	5,5	4	78
3(L)S 32-200/5.56	3(LP 32-200/5.56)	7,5	5,5	82
3(L)S 32-200/7.56	3(LP 32-200/7.56)	10	7,5	82
3(L)S 40-125/3.06	3(LP 40-125/3.06)	4	3	74
3(L)S 40-125/4.06	3(LP 40-125/4.06)	5,5	4	78
3(L)S 40-160/5.56	3(LP 40-160/5.56)	7,5	5,5	82
3(L)S 40-160/7.56	3(LP 40-160/7.56)	10	7,5	82
3(L)S 40-200/11.6	3(LP 40-200/11.6)	15	11	84
3(L)S 40-200/15.6	3(LP 40-200/15.6)	20	15	84
3(L)S 50-125/5.56	3(LP 50-125/5.56)	7,5	5,5	82
3(L)S 50-125/7.56	3(LP 50-125/7.56)	10	7,5	82
3(L)S 50-160/11.6	3(LP 50-160/11.6)	15	11	84
3(L)S 50-160/15.6	3(LP 50-160/15.6)	20	15	84
3(L)S 65-125/5.56	3(LP 65-125/5.56)	7,5	5,5	82
3(L)S 65-125/7.56	3(LP 65-125/7.56)	10	7,5	82
3(L)S 65-160/9.26	3(LP 65-160/9.26)	12,5	9,2	85
3(L)S 65-160/11.6	3(LP 65-160/11.6)	15	11	85
3(L)S 65-160/15.6	3(LP 65-160/15.6)	20	15	84
3(L)S 65-200/15.6	3(LP 65-200/15.6)	20	15	84
3(L)S 65-200/18.56	3(LP 65-200/18.56)	25	18,5	85
3(L)S 65-200/22.6	3(LP 65-200/22.6)	30	22	85
3LS 65-250/30.6	3LP 65-250/30.6	40	30	87
3LS 65-250/37.6	3LP 65-250/37.6	50	37	87
3LS 80-160/18.56	3LP 80-160/18.56	25	18,5	84
3LS 80-160/22.6	3LP 80-160/22.6	30	22	85
3LS 80-200/22.6	3LP 80-200/22.6	30	22	85
3LS 80-200/30.6	3LP 80-200/30.6	40	30	87
3LS 80-200/37.6	3LP 80-200/37.6	50	37	87
3LS 80-250/45.6	3LP 80-250/45.6	60	45	90
3LS 80-250/55.6	3LP 80-250/55.6	75	55	91

\* Mean value of several measures at 1m distance around the pump.  
Tolerance ± 2.5 dB.



**EBARA**

