



**EBARA**

# 3D SERIES

CENTRIFUGAL PUMPS CLOSE COUPLED AND STANDARDIZED EN 733

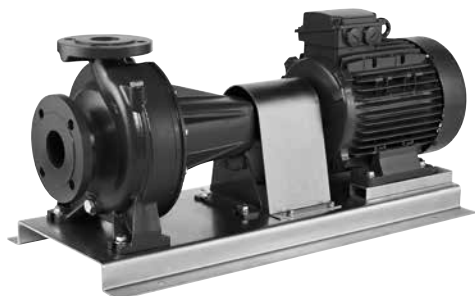
60 Hz



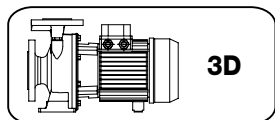
# 3D SERIES

## CENTRIFUGAL PUMPS CLOSE COUPLED AND STANDARDIZED EN 733

Centrifugal pumps close coupled (3D) and standardized EN 733 (3DS-3DP) in cast iron.

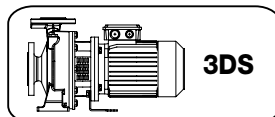


3가 (2,4 Pole)



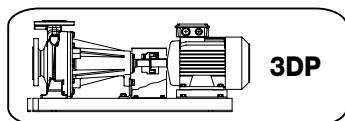
**3D**

Monobloc with extended motor shaft



**3DS**

Monobloc with standard motor and rigid joint



**3DP**

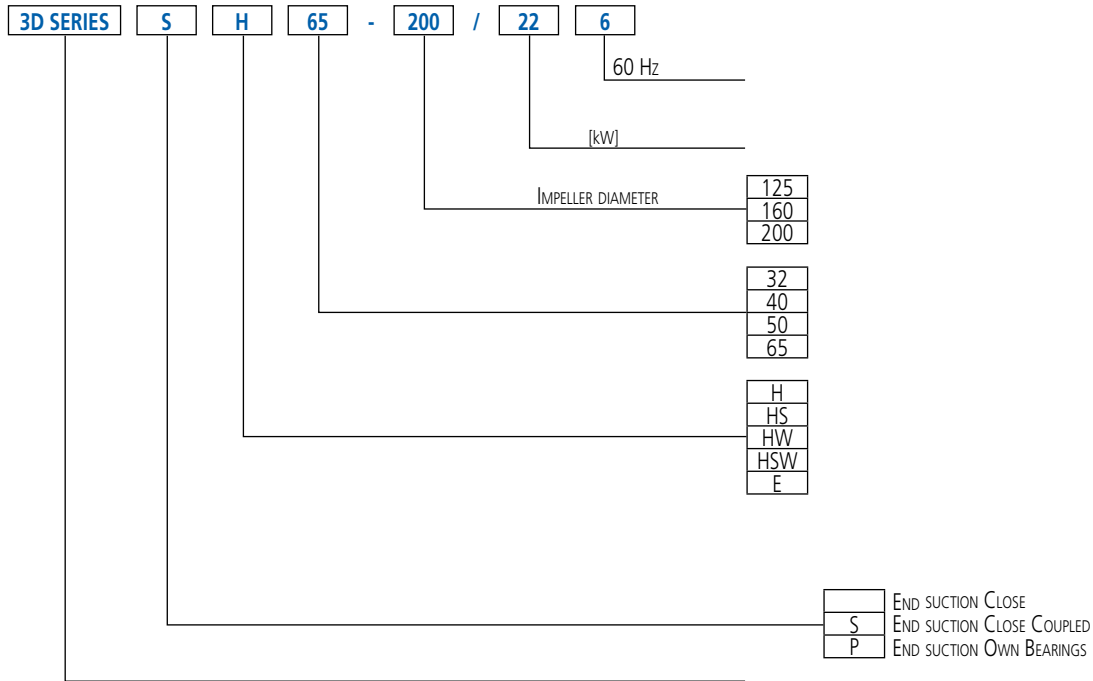
On base, with standard motor and flexible coupling

- 
- 
- 가
- 
- 
- 
- 
- 
- : 10 bar
- 
- : -5°C ÷ +90°C
- -5°C ÷ +110°C (H-HS-HW-HSW )
- -5°C ÷ +120°C (E )
- 
- : 3D = F
- 3DS - 3DP = F (B for high temperatures)
- : IP55
- 220/380-460V ±10% for 3D (4.0kW ),
- 380-460/660V ±10% for 3D (5,5 kW ),
- 265/460V ±10% for 3DS - 3DP (4.0kW ),
- 460V ±10% for 3DS - 3DP (5,5 kW ),
- Pump casing in cast iron EN-GJL-250-EN 1561
- Impeller in:
  - AISI 304 for 3D(.) SERIES 32, 40, 50
  - AISI 316 microcasted for 3D(.) SERIES 65
- Shaft in AISI 304 (part in contact with the liquid)
- Mechanical seal in:
  - Ceramic/Carbon/NBR (standard)
  - Ceramic/Carbon/FPM (H version)
  - SiC/SiC/FPM (HS version)
  - Tungsten Carbide/Tungsten Carbide/FPM (HW version)
  - SiC/Tungsten Carbide/FPM (HSW version)
  - Ceramic/Carbon/EPDM (E version)
- 
-



# 3D SERIES

CENTRIFUGAL PUMPS CLOSE COUPLED AND STANDARDIZED EN 733



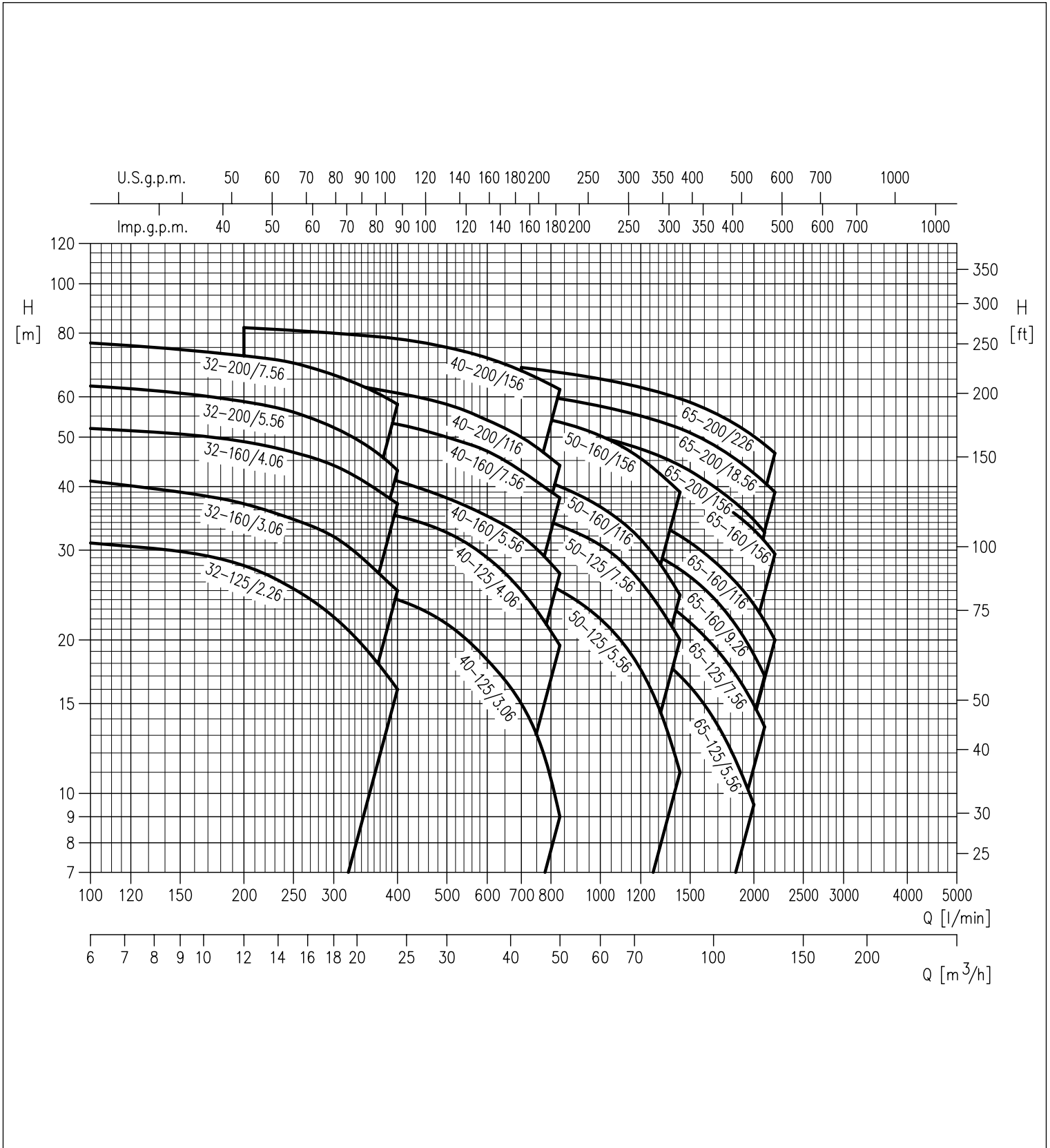
The contents of this publication must not be regarded as binding. EBARA Pumps Europe S.p.A. reserves the right to effect any modification it deems necessary, without prior notice.



# 3D SERIES

## CENTRIFUGAL PUMPS CLOSE COUPLED AND STANDARDIZED EN 733

at 3600 min<sup>-1</sup> (according to ISO 9906 Attachment A)



The contents of this publication must not be regarded as binding. EBARA Pumps Europe S.p.A. reserves the right to effect any modification it deems necessary without prior notice.

# 3D SERIES

## CENTRIFUGAL PUMPS CLOSE COUPLED AND STANDARDIZED EN 733

### 3D(.) SERIES 32

	P <sub>2</sub>		Q=								
	[HP]	[kW]	l/min m <sup>3</sup> /h	100 6	150 9	200 12	250 15	300 18	350 21	400 24	
							H= [m]				
32-125/2.26	3	2,2		32,5	31,4	29,6	27,2	24,4	21,4	18,0	
32-160/3.06	4	3		41,5	40,0	38,4	35,9	32,8	29,3	25,0	
32-160/4.06	5,5	4		53,0	51,5	49,5	47,0	44,5	41,5	38,0	
32-200/5.56	7,5	5,5		62,5	61,5	59,0	56,5	53,5	50,0	46,0	
32-200/7.56	10	7,5		74,0	72,5	70,5	68,5	65,0	61,5	58,0	

### 3D(.) SERIES 40

	P <sub>2</sub>		Q=								
	[HP]	[kW]	l/min m <sup>3</sup> /h	200 12	300 18	400 24	500 30	600 36	700 42	833 50	
							H= [m]				
40-125/3.06	4	3		26,7	25,5	23,6	21,1	18,3	14,8	9,5	
40-125/4.06	5,5	4		36,5	35,8	34,6	32,7	30,2	27,1	22,7	
40-160/5.56	7,5	5,5		43,5	42,0	39,8	37,2	34,6	31,8	27,5	
40-160/7.56	10	7,5		54,0	52,5	50,5	48,0	45,5	42,5	38,5	
40-200/116	15	11		65,0	63,5	62,0	60,0	57,0	54,0	49,5	
40-200/156	20	15		80,0	78,5	77,0	75,0	73,0	70,5	66,5	

### 3D(.) SERIES 50

	P <sub>2</sub>		Q=								
	[HP]	[kW]	l/min m <sup>3</sup> /h	500 30	600 36	700 42	800 48	1000 60	1200 72	1433 86	
							H= [m]				
50-125/5.56	7,5	5,5		31,8	31,2	30,2	28,9	25,6	21,7	16,8	
50-125/7.56	10	7,5		37,1	36,5	35,6	34,3	31,0	27,2	22,0	
50-160/116	15	11		46,5	45,5	44,5	43,0	39,8	35,5	29,4	
50-160/156	20	15		56,0	55,5	54,5	53,5	50,5	46,5	40,5	

### 3D(.) SERIES 65

	P <sub>2</sub>		Q=										
	[HP]	[kW]	l/min m <sup>3</sup> /h	600 36	700 42	900 54	1200 72	1500 90	1600 96	1800 108	2000 120	2100 126	2200 132
								H= [m]					
65-125/5.56	7,5	5,5		25,5	24,9	23,3	20,2	16,4	15,1	12,4	9,5	-	-
65-125/7.56	10	7,5		31,3	30,8	29,2	26,4	22,8	21,5	18,7	15,4	13,7	-
65-160/9.26	12,5	9,2		-	35,1	33,3	30,1	26,6	25,4	22,4	19,0	17,0	-
65-160/116	15	11		-	40,0	38,3	35,6	32,1	30,8	28,2	25,3	23,5	21,5
65-160/156	20	15		-	48,0	46,5	44,0	40,5	39,2	36,5	33,7	32,2	30,5
65-200/156	20	15		-	53,0	51,0	47,0	42,0	39,9	35,6	30,7	28	-
65-200/18.56	25	18,5		-	60,5	58,5	55	50,5	48,5	44,5	39,9	37,4	35,0
65-200/226	30	22		-	67,5	66	62,5	58,5	56,5	53,0	49,0	47,0	44,5

(M) Single phase version only for 3D SERIES

The contents of this publication may not be regarded as binding. EBARA Pumps Europe S.p.A. reserves the right to effect any modification it deems necessary, without prior notice.

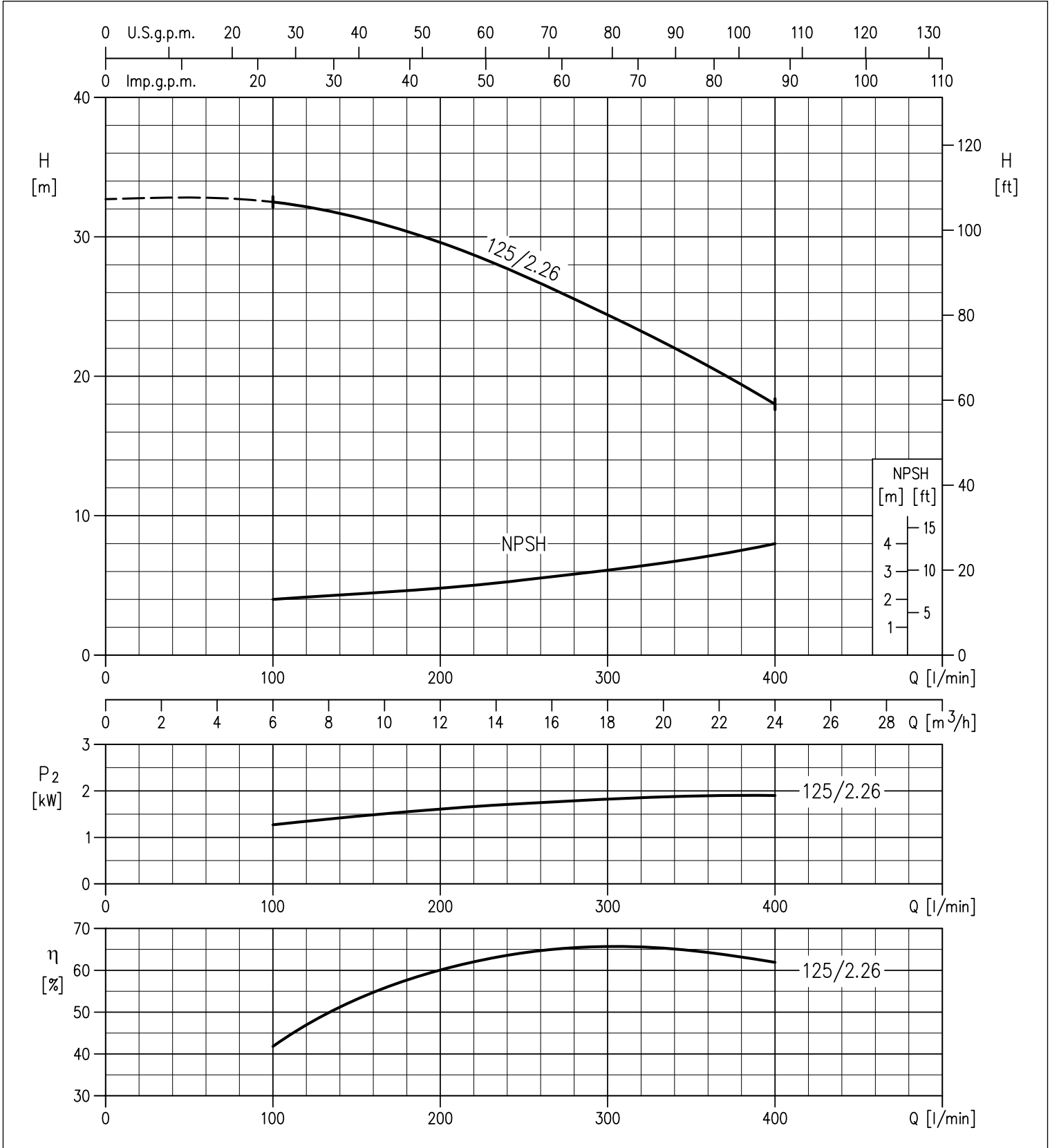


# 3D SERIES

## CENTRIFUGAL PUMPS CLOSE COUPLED AND STANDARDIZED EN 733

3D(.) SERIES 32-125

at 3600 min<sup>-1</sup> (according to ISO 9906 Attachment A)



The contents of this publication must not be regarded as binding. EBARA Pumps Europe S.p.A. reserves the right to effect any modification it deems necessary without prior notice.

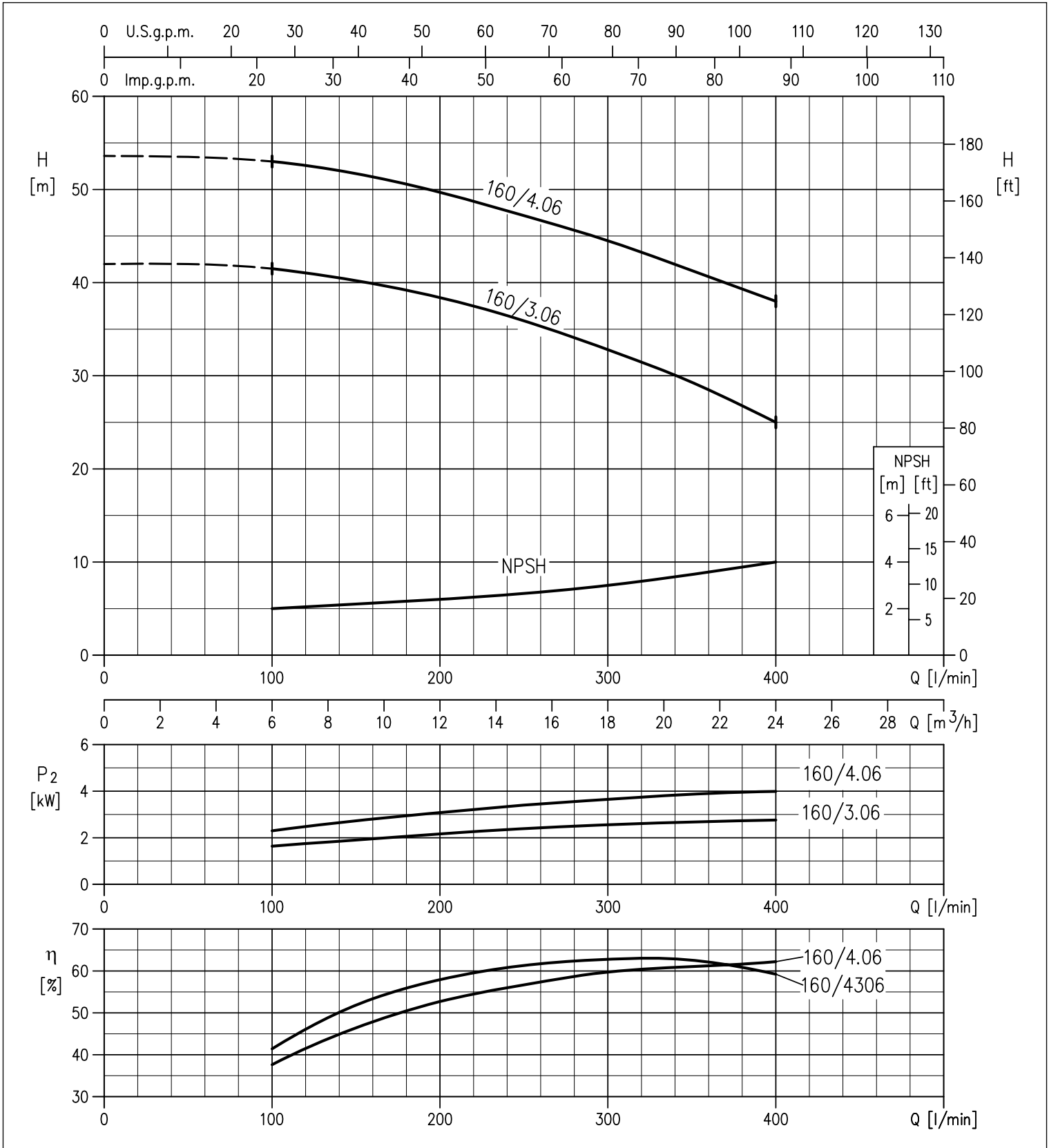


# 3D SERIES

## CENTRIFUGAL PUMPS CLOSE COUPLED AND STANDARDIZED EN 733

3D(.) SERIES 32-160

at 3600 min<sup>-1</sup> (according to ISO 9906 Attachment A)



The contents of this publication must not be regarded as binding. EBARA Pumps Europe S.p.A. reserves the right to effect any modification it deems necessary, without prior notice.

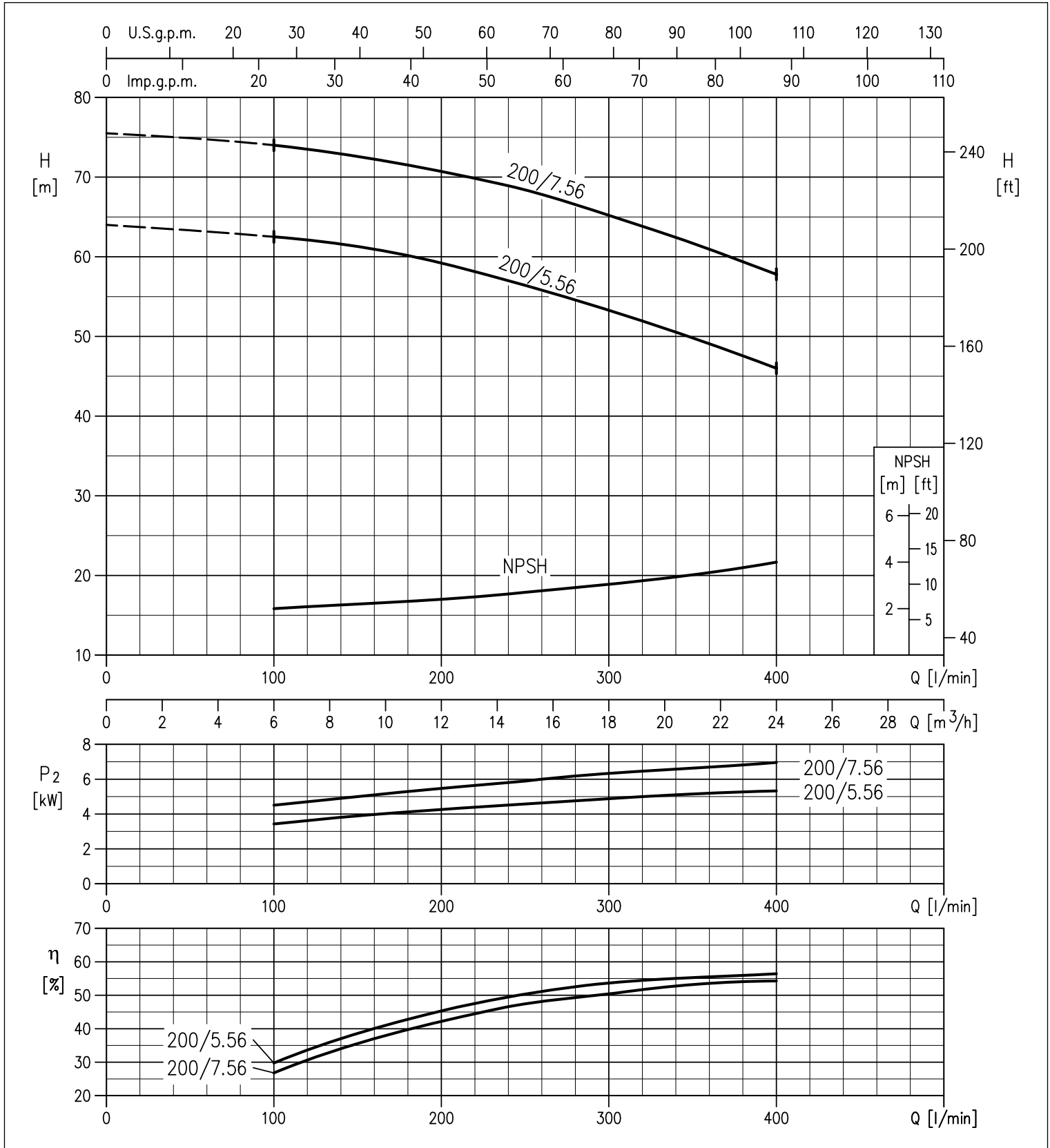


# 3D SERIES

## CENTRIFUGAL PUMPS CLOSE COUPLED AND STANDARDIZED EN 733

3D(.) SERIES 32-200

at 3600 min<sup>-1</sup> (according to ISO 9906 Attachment A)



The contents of the publication must not be regarded as binding. EBARA Pumps Europe S.p.A. reserves the right to effect any modification it deems necessary without prior notice.



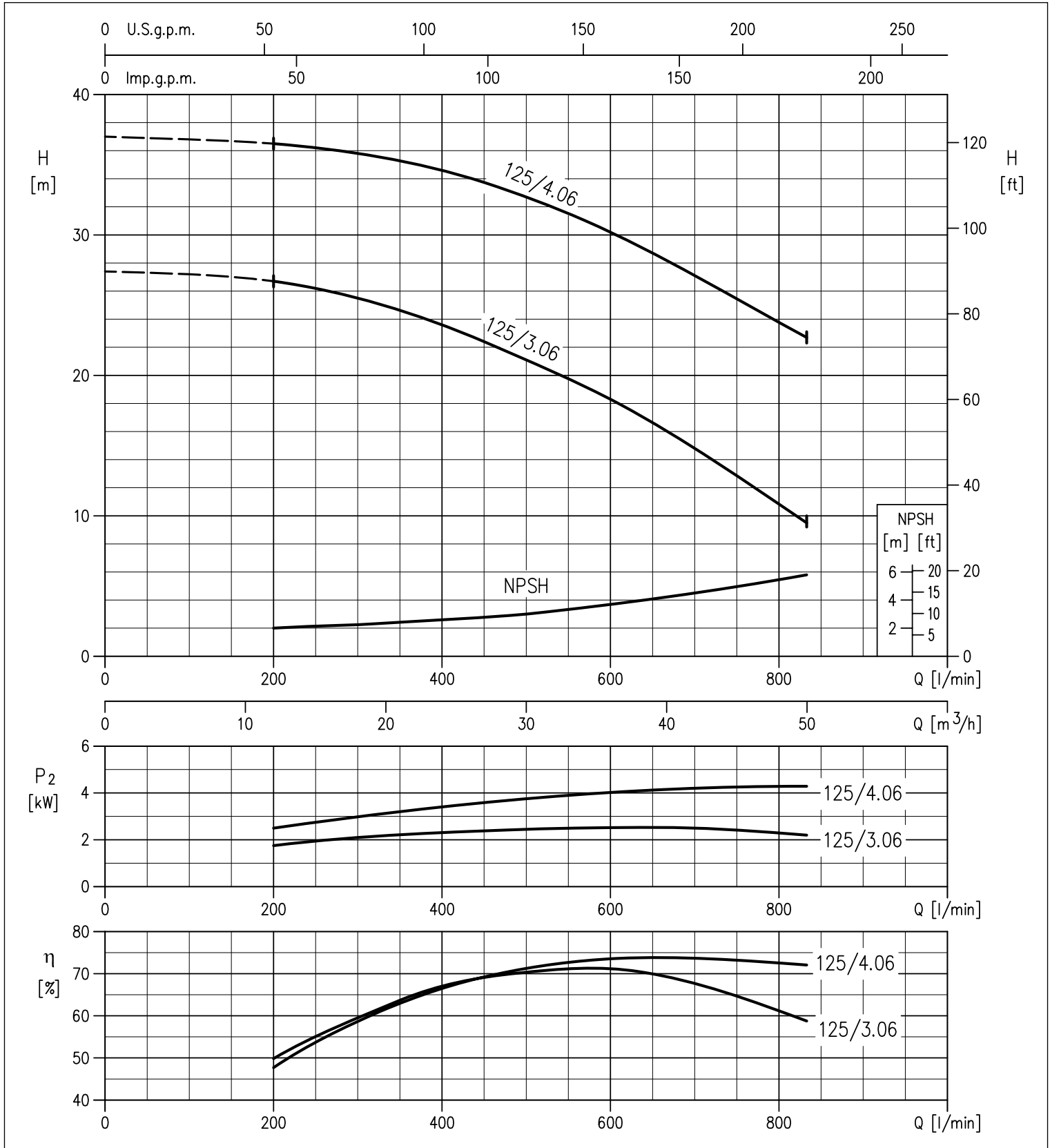


# 3D SERIES

## CENTRIFUGAL PUMPS CLOSE COUPLED AND STANDARDIZED EN 733

3D(.) SERIES 40-125

at 3600 min<sup>-1</sup> (according to ISO 9906 Attachment A)



The contents of this publication must not be regarded as binding. EBARA Pumps Europe S.p.A. reserves the right to effect any modification it deems necessary, without prior notice.

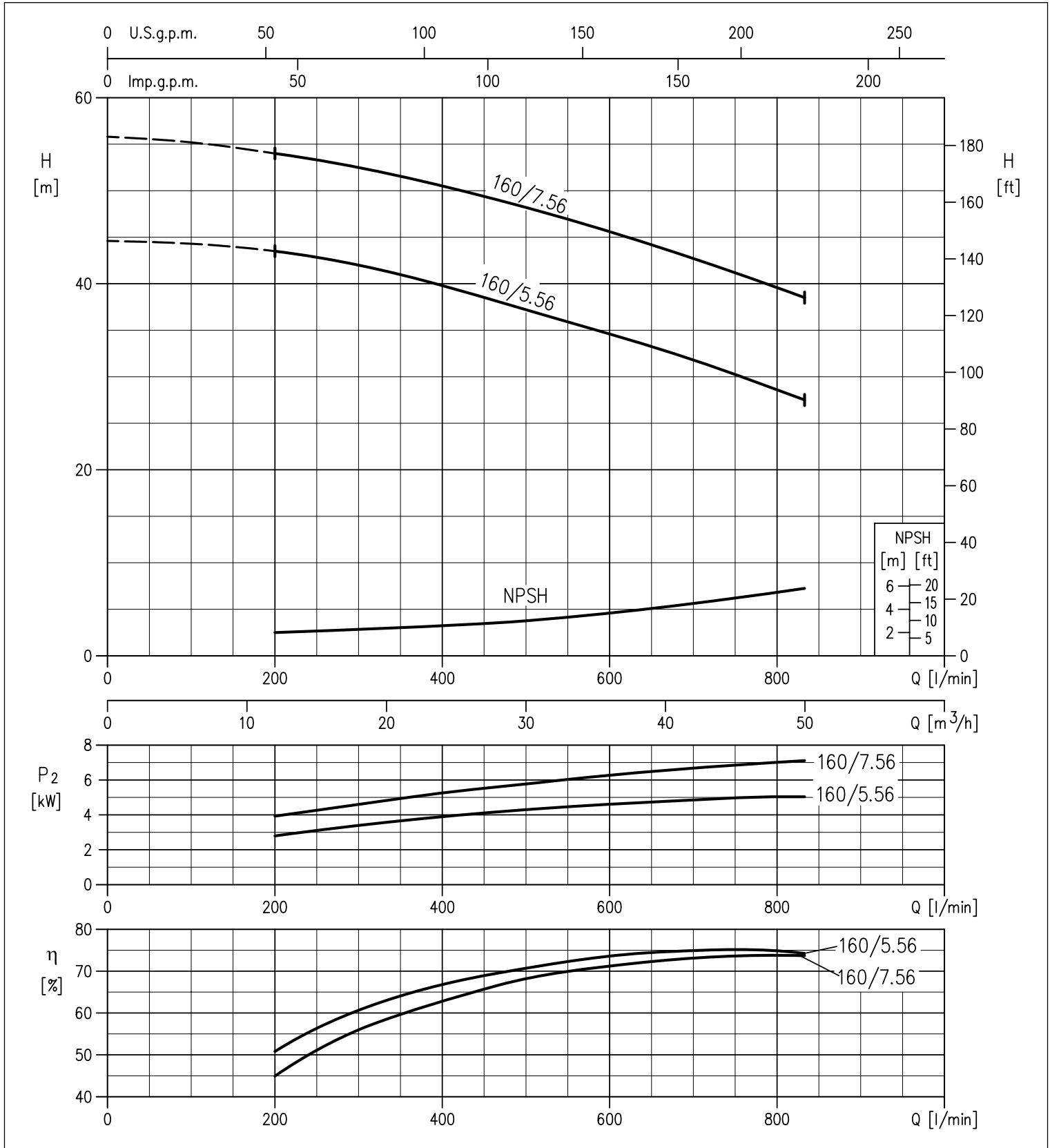


# 3D SERIES

## CENTRIFUGAL PUMPS CLOSE COUPLED AND STANDARDIZED EN 733

3D(.) SERIES 40-160

at 3600 min<sup>-1</sup> (according to ISO 9906 Attachment A)



The contents of this publication must not be regarded as binding. EBARA Pumps Europe S.p.A. reserves the right to effect any modification it deems necessary without prior notice.

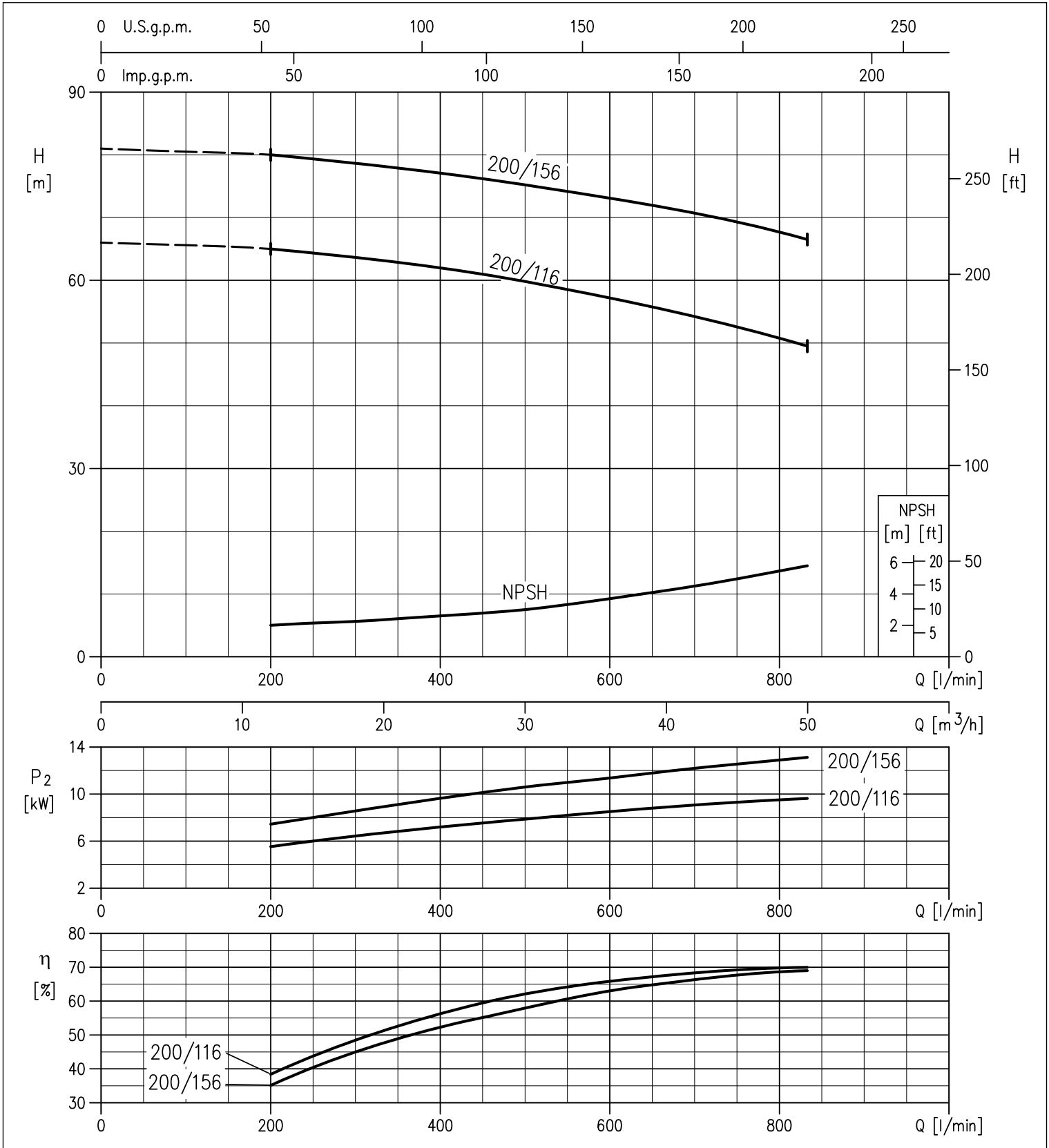


# 3D SERIES

## CENTRIFUGAL PUMPS CLOSE COUPLED AND STANDARDIZED EN 733

3D(.) SERIES 40-200

at 3600 min<sup>-1</sup> (according to ISO 9906 Attachment A)



The contents of this publication must not be regarded as binding. EBARA Pumps Europe S.p.A. reserves the right to effect any modification it deems necessary, without prior notice.

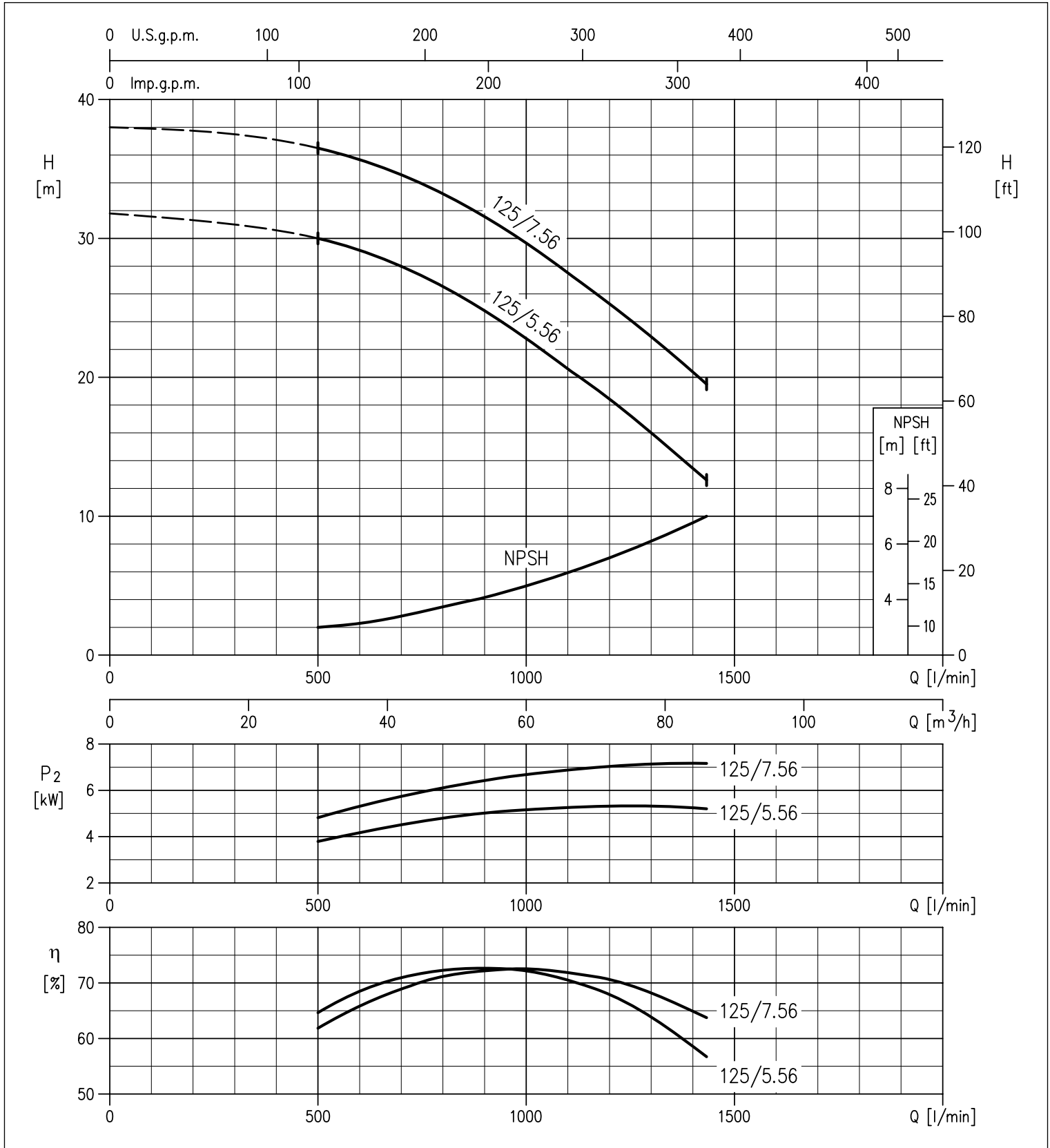


# 3D SERIES

## CENTRIFUGAL PUMPS CLOSE COUPLED AND STANDARDIZED EN 733

3D(.) SERIES 50-125

at 3600 min<sup>-1</sup> (according to ISO 9906 Attachment A)



The contents of this publication must not be regarded as binding. EBARA Pumps Europe S.p.A. reserves the right to effect any modification it deems necessary without prior notice.

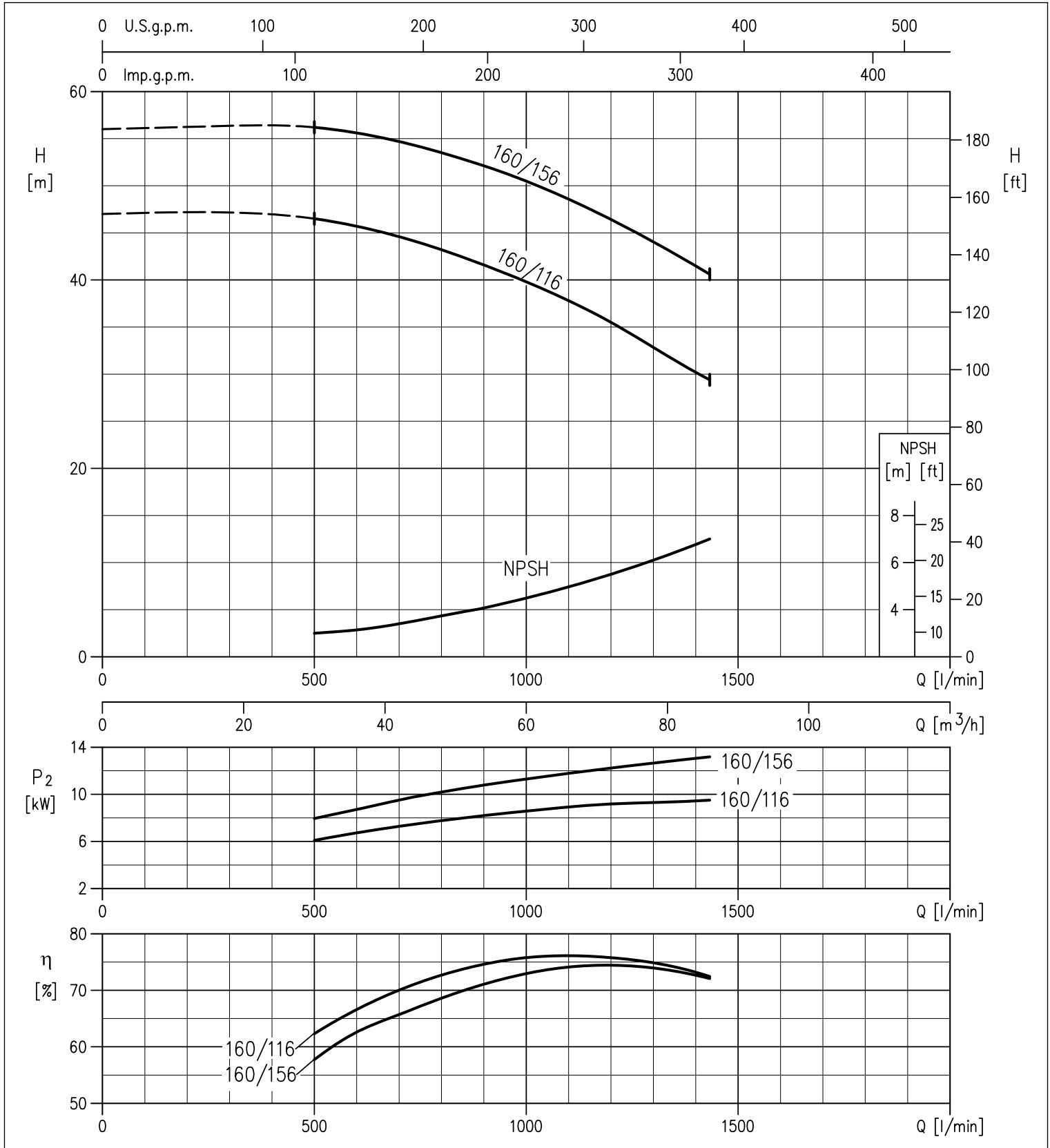


# 3D SERIES

## CENTRIFUGAL PUMPS CLOSE COUPLED AND STANDARDIZED EN 733

3D(.) SERIES 50-160

at 3600 min<sup>-1</sup> (according to ISO 9906 Attachment A)



The contents of this publication must not be regarded as binding. EBARA Pumps Europe S.p.A. reserves the right to effect any modification it deems necessary, without prior notice.

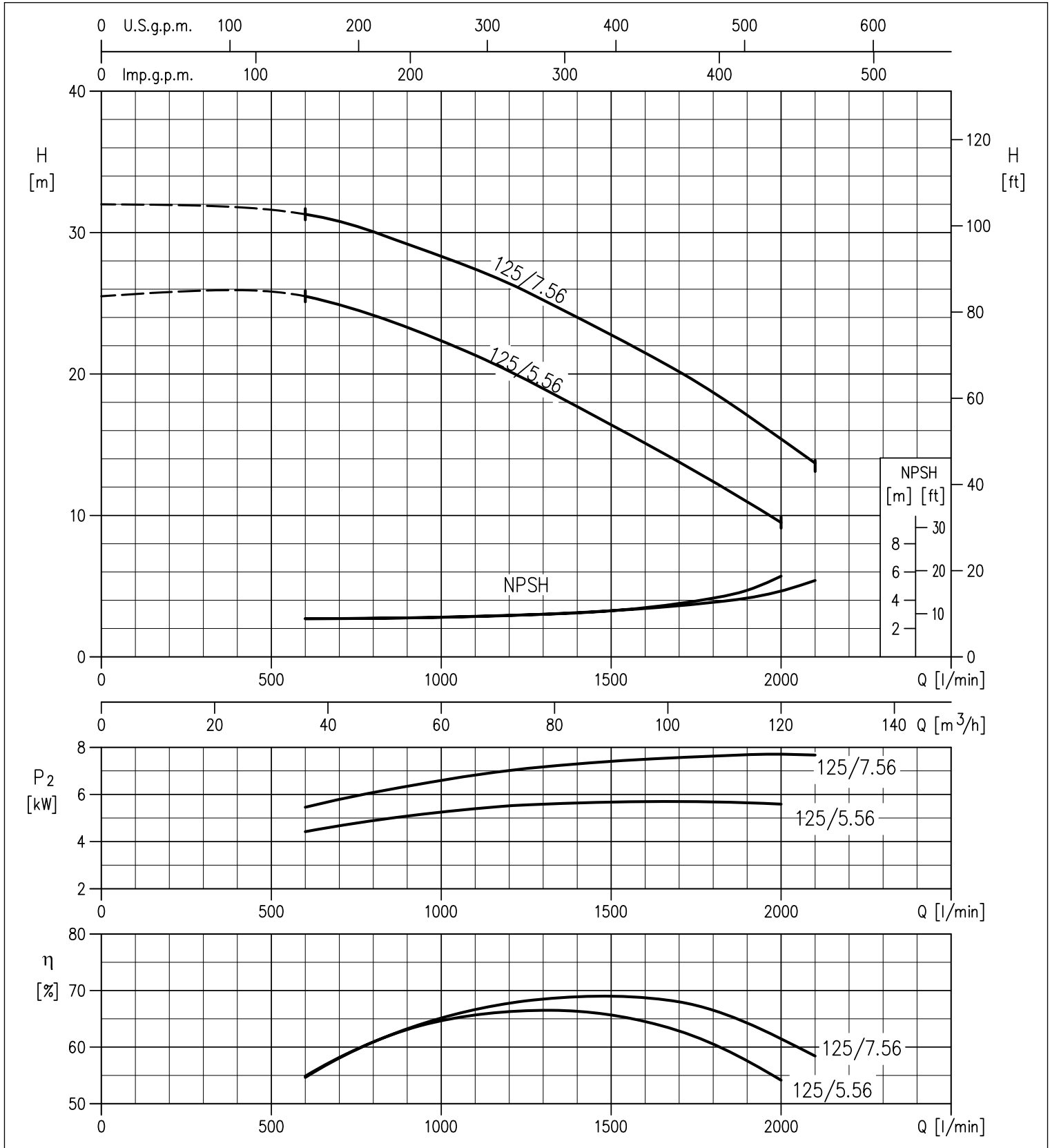


# 3D SERIES

## CENTRIFUGAL PUMPS CLOSE COUPLED AND STANDARDIZED EN 733

3D(.) SERIES 65-125

at 3600 min<sup>-1</sup> (according to ISO 9906 Attachment A)



The contents of this publication must not be regarded as binding. EBARA Pumps Europe S.p.A. reserves the right to effect any modification it deems necessary without prior notice.

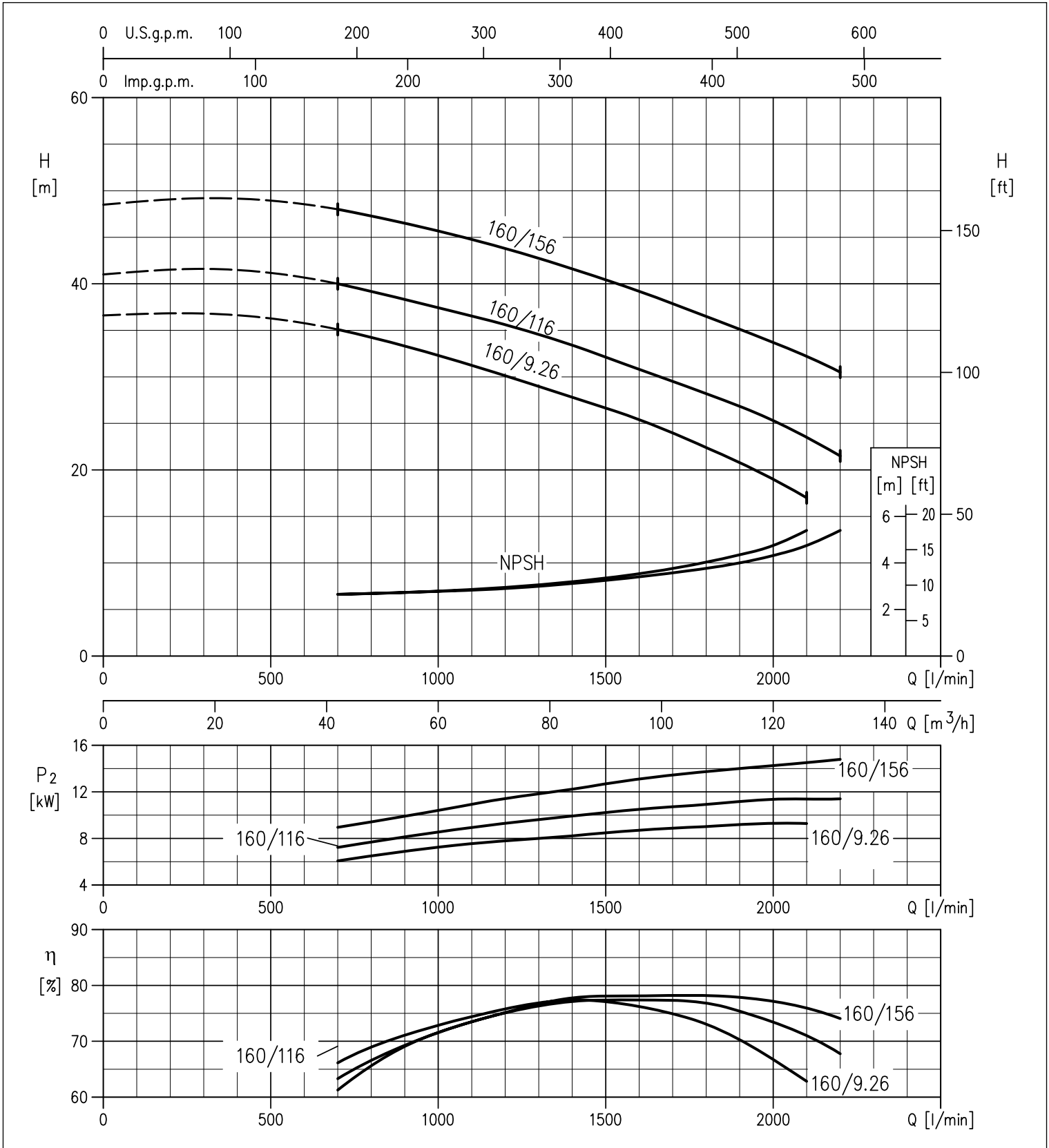


# 3D SERIES

## CENTRIFUGAL PUMPS CLOSE COUPLED AND STANDARDIZED EN 733

3D(.) SERIES 65-160

at 3600 min<sup>-1</sup> (according to ISO 9906 Attachment A)



The contents of this publication must not be regarded as binding. EBARA Pumps Europe S.p.A. reserves the right to effect any modification it deems necessary, without prior notice.

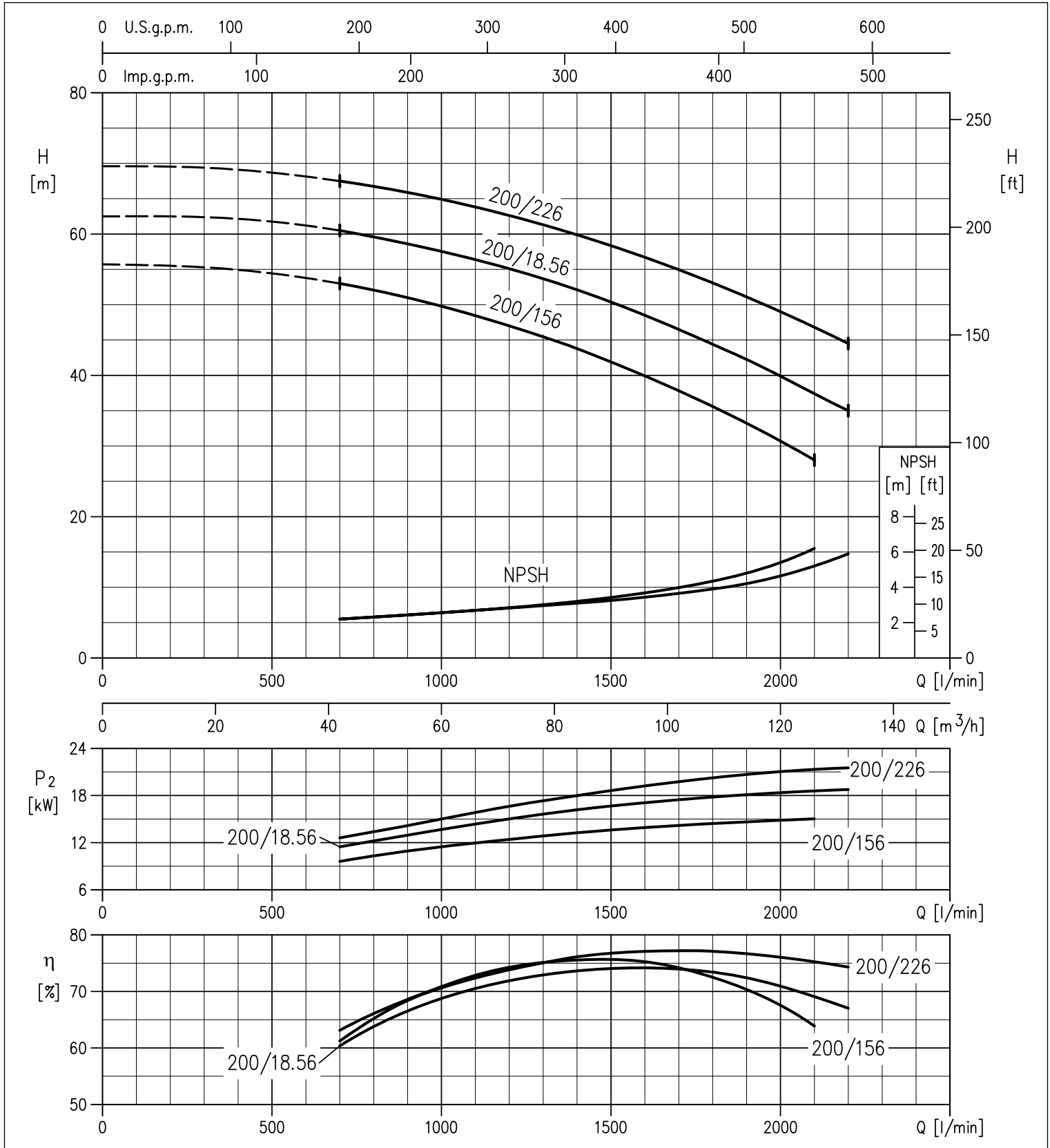


# 3D SERIES

## CENTRIFUGAL PUMPS CLOSE COUPLED AND STANDARDIZED EN 733

3D(.) SERIES 65-200

at 3600 min<sup>-1</sup> (according to ISO 9906 Attachment A)



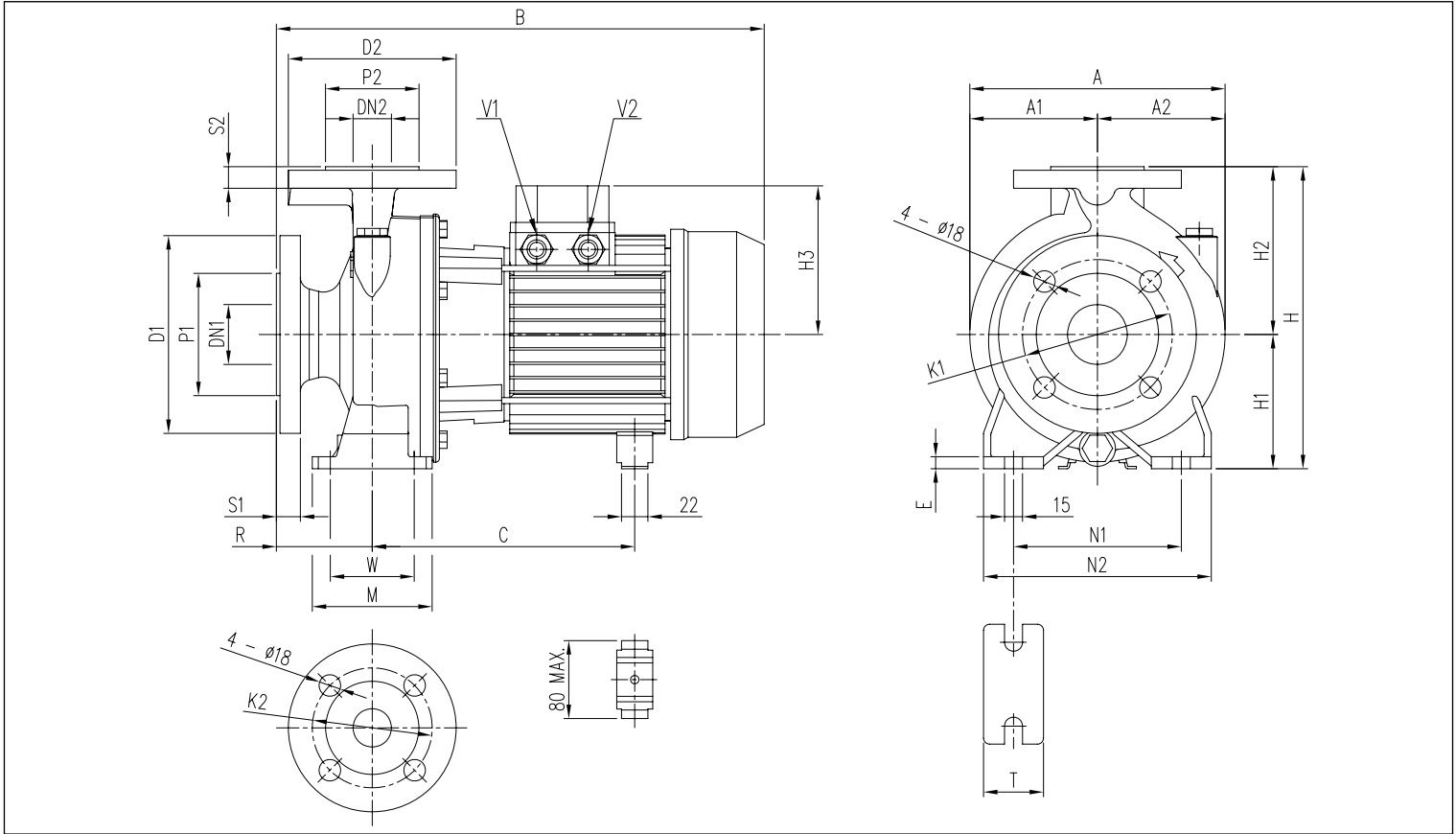
The contents of this publication must not be regarded as binding. EBARA Pumps Europe S.p.A. reserves the right to effect any modification it deems necessary without prior notice.



# 3D SERIES

## CENTRIFUGAL PUMPS CLOSE COUPLED AND STANDARDIZED EN 733

### 3D SERIES - up to 11kW



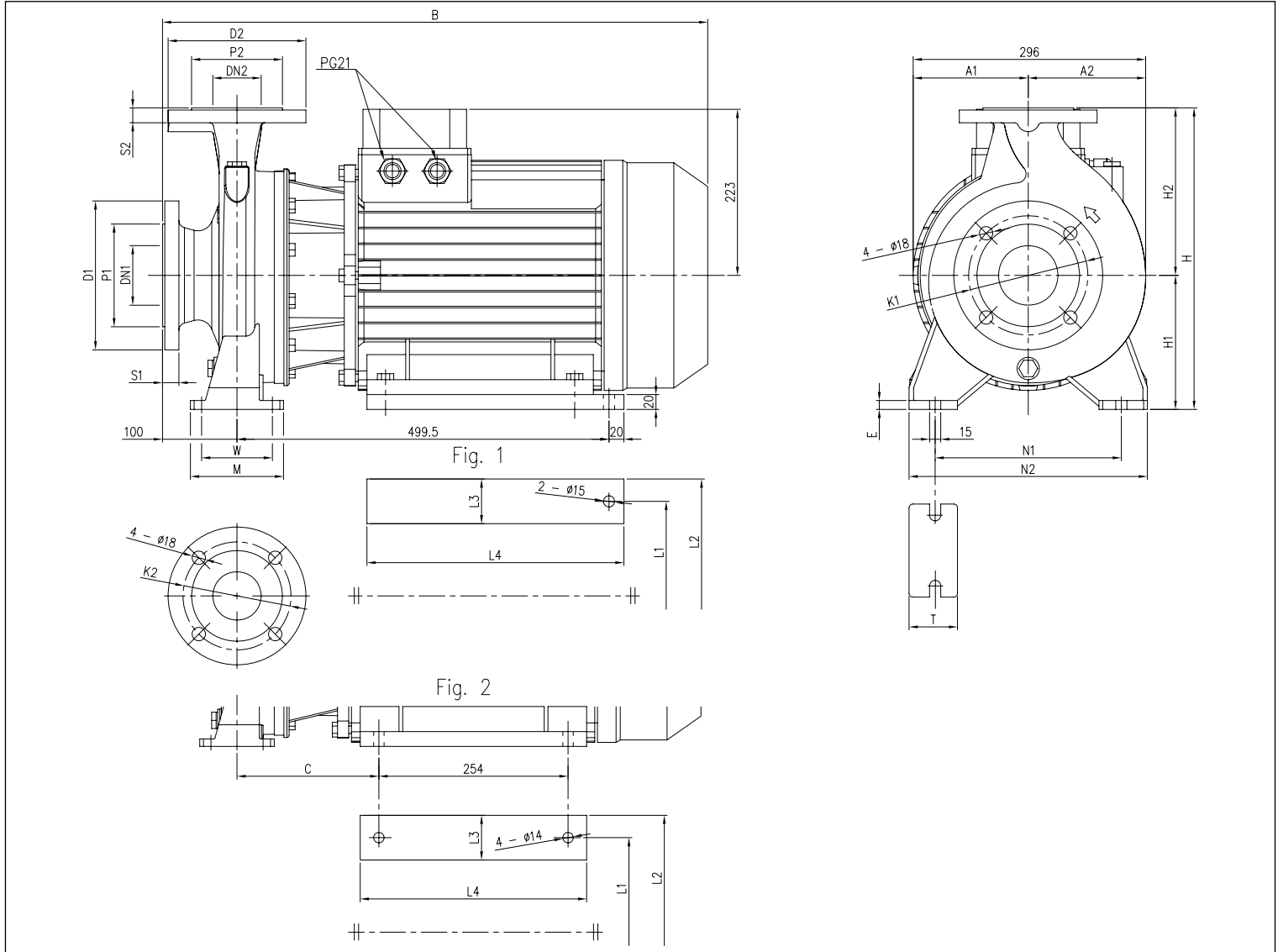
	DN1	P1	K1	D1	S1	DN2	P2	K2	D2	S2	H	H1	H2	H3	[mm]										V1	V2	[kg]		
	Ø	Ø	Ø	Ø	Ø	Ø	Ø	Ø	Ø	Ø	Ø	Ø	Ø	Ø	R	W	M	N1	N2	T	E	A	A1	A2	B	C			
3D 32-125/2.26	50	102	125	165	20	32	78	100	140	18	252	112	140	124	80	70	100	140	190	50	10	213	107	107	432	244±255	-	PG 13,5	31,0
3D 32-160/3.06	50	102	125	165	20	32	78	100	140	18	292	132	160	124	80	70	100	190	240	50	10	254	127	127	471	244±255	-	PG 13,5	37,6
3D 32-160/4.06	50	102	125	165	20	32	78	100	140	18	292	132	160	141	80	70	100	190	240	50	10	254	127	127	494	253	-	PG 16	45,9
3D 32-200/5.56	50	102	125	165	20	32	78	100	140	18	340	160	180	150	80	70	100	190	240	50	10	296	148	148	519	275	PG13,5	PG 16	59,9
3D 32-200/7.56	50	102	125	165	20	32	78	100	140	18	340	160	180	150	80	70	100	190	240	50	10	296	148	148	519	275	PG13,5	PG 16	59,4
3D 40-125/3.06	65	122	145	185	20	40	88	110	150	18	252	112	140	124	80	70	100	160	210	50	10	213	108	112	471	244±255	-	PG 13,5	32,1
3D 40-125/4.06	65	122	145	185	20	40	88	110	150	18	252	112	140	141	80	70	100	160	210	50	10	213	108	112	494	253	-	PG 16	45,7
3D 40-160/5.56	65	122	145	185	20	40	88	110	150	18	292	132	160	150	80	70	100	190	240	50	12	254	127	127	519	275	PG13,5	PG 16	54,3
3D 40-160/7.56	65	122	145	185	20	40	88	110	150	18	292	132	160	150	80	70	100	190	240	50	12	254	127	127	519	275	PG13,5	PG 16	62,2
3D 40-200/11.6	65	122	145	185	20	40	88	110	150	18	340	160	180	178	100	70	100	212	265	50	12	296	148	148	595	359	PG13,5	PG 21	74,7
3D 50-125/5.56	65	122	145	185	20	50	102	125	165	20	292	132	160	150	100	70	100	190	240	50	10	254	127	127	539	275	PG13,5	PG 16	56,2
3D 50-125/7.56	65	122	145	185	20	50	102	125	165	20	292	132	160	150	100	70	100	190	240	50	10	254	127	127	539	275	PG13,5	PG 16	62,8
3D 50-160/11.6	65	122	145	185	20	50	102	125	165	20	340	160	180	178	100	70	100	212	265	50	10	296	148	148	595	359	PG13,5	PG 21	76,6
3D 65-125/5.56	80	138	160	200	22	65	122	145	185	20	340	160	180	150	100	95	125	212	280	65	12	254	127	136	539	275	PG13,5	PG 16	67,3
3D 65-125/7.56	80	138	160	200	22	65	122	145	185	20	340	160	180	150	100	95	125	212	280	65	23	254	127	136	539	275	PG13,5	PG 16	68,3
3D 65-160/9.26	80	138	160	200	22	65	122	145	185	20	360	160	200	178	100	95	125	212	280	65	12	296	148	148	595	359	PG13,5	PG 21	71,9
3D 65-160/11.6	80	138	160	200	22	65	122	145	185	20	360	160	200	178	100	95	125	212	280	65	12	296	148	148	595	359	PG13,5	PG 21	81,0

The contents of this publication must not be regarded as binding. EBARA Pumps Europe S.p.A. reserves the right to effect any modification it deems necessary, without prior notice.

# 3D SERIES

## CENTRIFUGAL PUMPS CLOSE COUPLED AND STANDARDIZED EN 733

### 3D SERIES - from 15kW and above



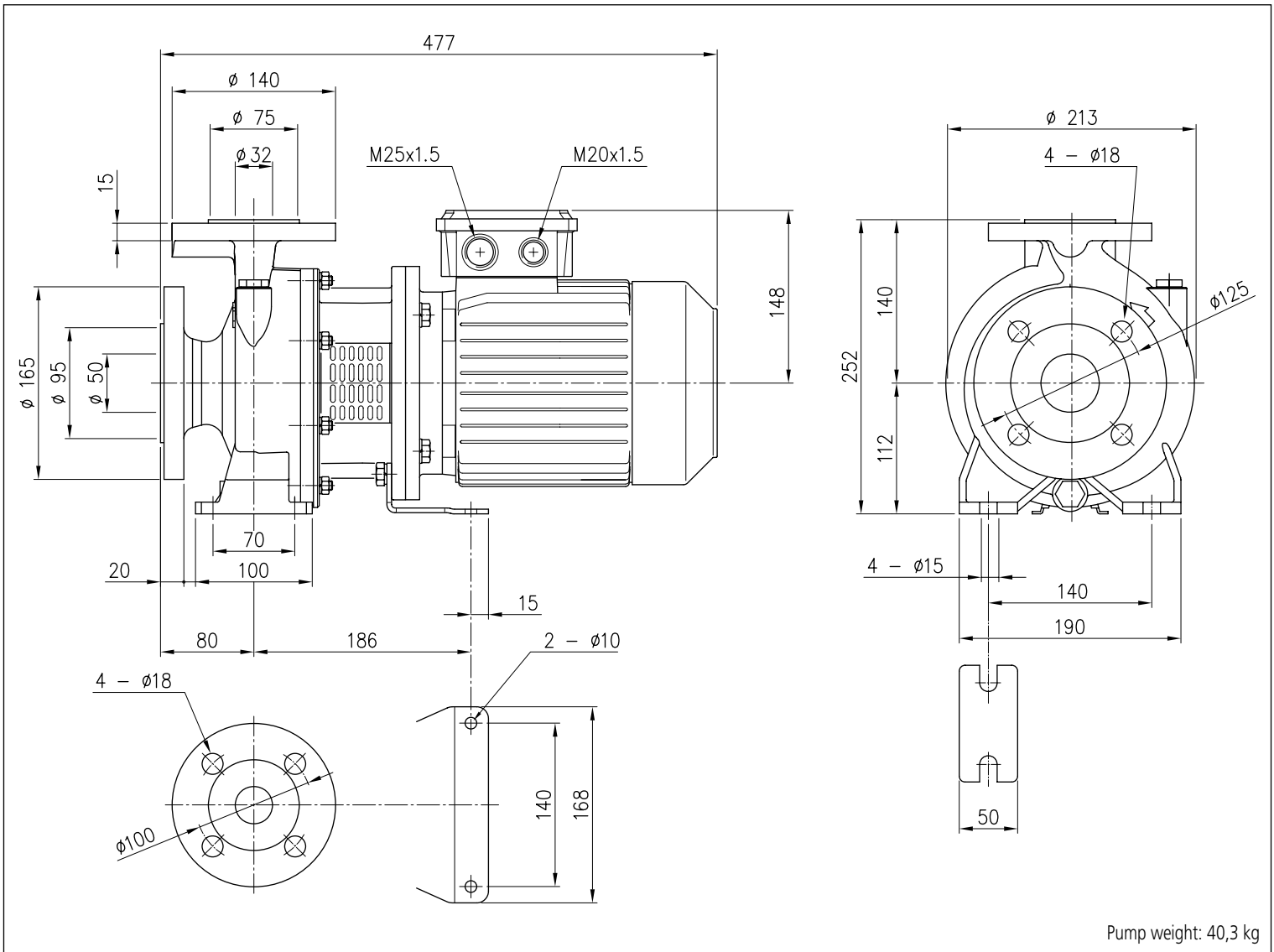
	DN1 Ø	P1 Ø	K1 Ø	D1 Ø	S1	DN2 Ø	P2 Ø	K2 Ø	D2 Ø	S2	Fig.	H	H1	H2	W	M	N1	N2	T	E	A1	A2	B	C	L1	L2	L3	L4	[kg]
3D 40-200/156	65	122	145	185	20	40	88	110	150	18	2	340	160	180	70	100	212	265	50	12	148	148	723	190,5	254	318	64	304	115,7
3D 50-160/156	65	122	145	185	20	50	102	125	165	20	2	340	160	180	70	100	212	265	50	10	148	148	723	190,5	254	318	64	304	93,1
3D 65-160/156	80	138	160	200	22	65	122	145	185	20	2	360	160	200	95	125	212	280	65	12	148	148	732	199,5	254	318	64	304	119,0
3D 65-200/156	80	138	160	200	22	65	122	145	185	20	1	405	180	225	95	125	250	320	65	12	154,5	157,5	732	-	254	314	60	345	122,5
3D 65-200/18.56	80	138	160	200	22	65	122	145	185	20	1	405	180	225	95	125	250	320	65	12	154,5	157,5	732	-	254	314	60	345	136,5
3D 65-200/226	80	138	160	200	22	65	122	145	185	20	1	405	180	225	95	125	250	320	65	12	154,5	157,5	732	-	254	314	60	345	144,5

The contents of this publication must not be regarded as binding. EBARA Pumps Europe S.p.A. reserves the right to effect any modification it deems necessary without prior notice.

# 3D SERIES

## CENTRIFUGAL PUMPS CLOSE COUPLED AND STANDARDIZED EN 733

### 3DS SERIES 32-125/2.26

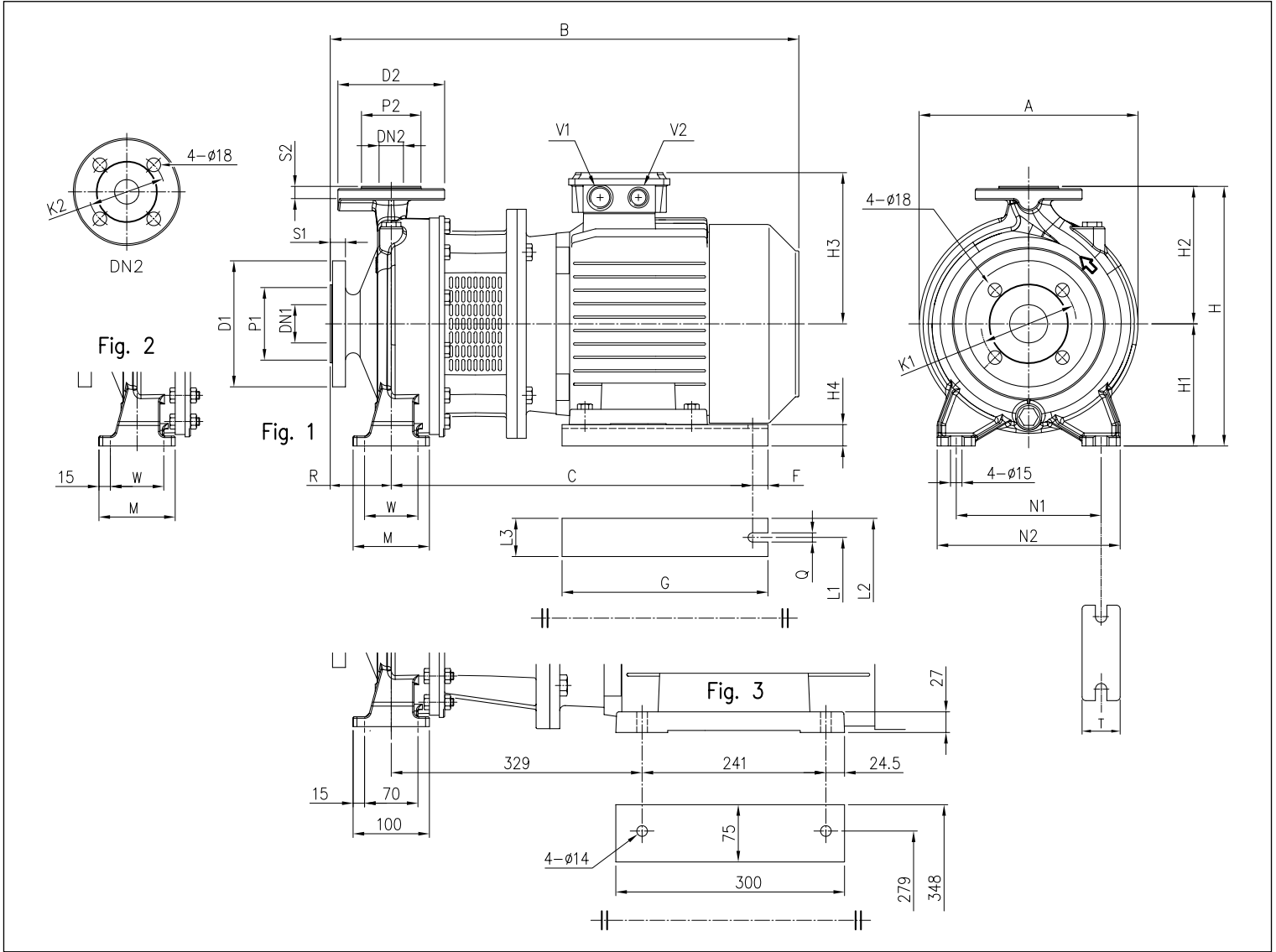


Pump weight: 40,3 kg

# 3D SERIES

## CENTRIFUGAL PUMPS CLOSE COUPLED AND STANDARDIZED EN 733

### 3DS SERIES 32, 65



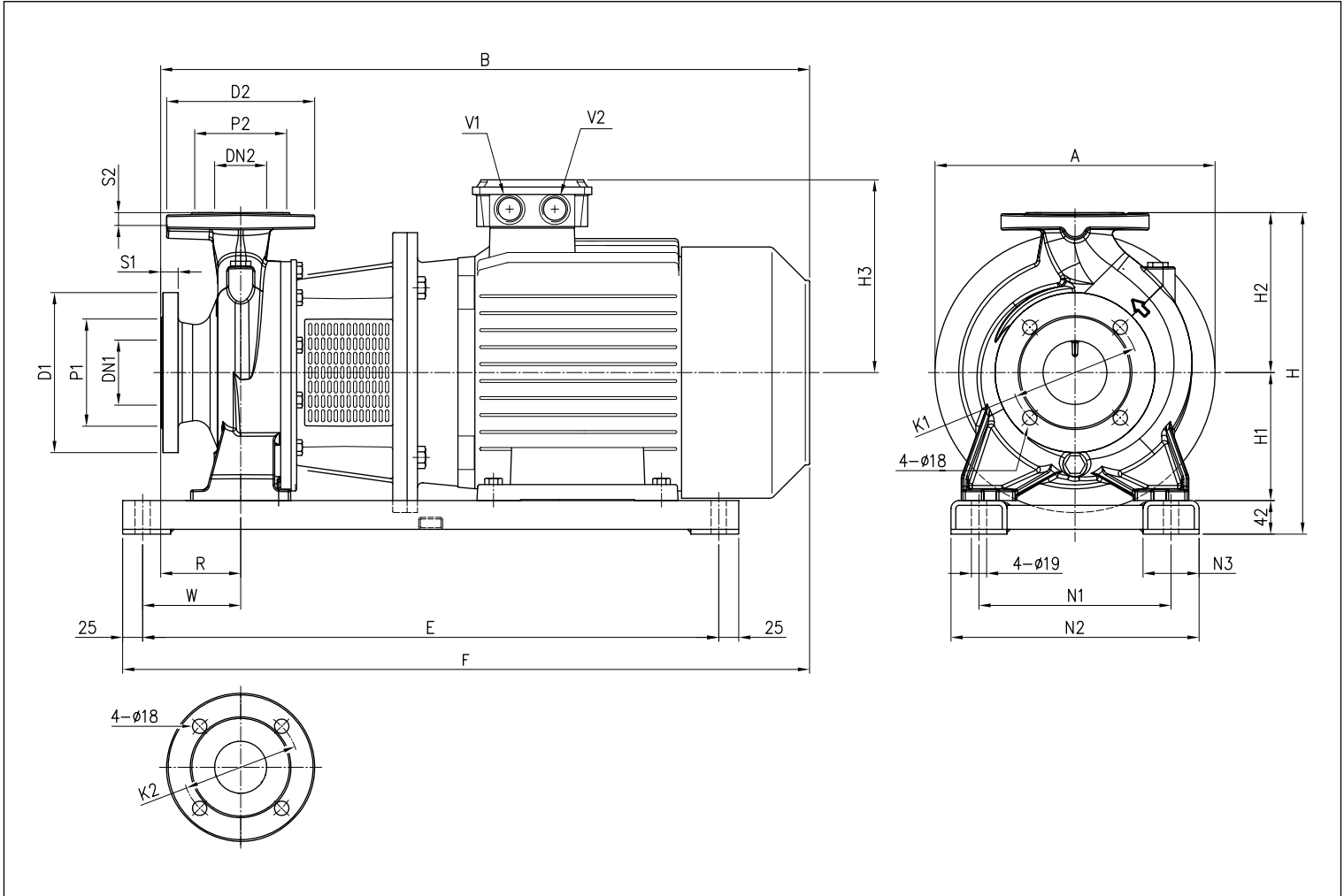
	DN1	P1	K1	D1	S1	DN2	P2	K2	D2	S2	Fig.	H	H1	H2	H3	H4	R	W	M	N1	N2	T	A	B	C	F	G	Q	L1	L2	L3	V1	V2	[kg]	
	Ø	Ø	Ø	Ø	Ø	Ø	Ø	Ø	Ø																										
3DS 32-160/3.06	50	102	125	165	20	32	78	100	140	18	1	292	132	160	155	32	80	70	100	190	240	50	254	528	388	15	220	12	160	200	40	M25X1,5	M20X1,5	49,8	
3DS 32-160/4.06	50	102	125	165	20	32	78	100	140	18	1	292	132	160	171	20	80	70	100	190	240	50	254	550	395	15	220	12	190	240	50	M25X1,5	M20X1,5	51,4	
3DS 32-200/5.56	50	102	125	165	20	32	78	100	140	18	1	340	160	180	198	28	80	70	100	190	240	50	300	607	479	15	270	12	216	266	50	M32X1,5	M32X1,5	83,2	
3DS 32-200/7.56	50	102	125	165	20	32	78	100	140	18	1	340	160	180	198	28	80	70	100	190	240	50	300	607	479	15	270	12	216	266	50	M32X1,5	M32X1,5	96,4	
3DS 65-125/5.56	80	138	160	200	22	65	122	145	185	20	2	340	160	180	198	28	100	95	125	212	280	65	300	627	479	15	270	12	216	266	50	M32X1,5	M32X1,5	75,3	
3DS 65-125/7.56	80	138	160	200	22	65	122	145	185	20	2	340	160	180	198	28	100	95	125	212	280	65	300	627	479	15	270	12	216	266	50	M32X1,5	M32X1,5	92,7	
3DS 65-160/9.26	80	138	160	200	22	65	122	145	185	20	2	360	160	200	198	28	100	95	125	212	280	65	300	667	479	15	270	12	216	266	50	M32X1,5	M32X1,5	103,0	
3DS 65-200/15.6	80	138	160	200	22	65	122	145	185	20	2	405	180	225	238	20	100	95	125	250	320	65	350	806	621	20	350	14	254	314	60	M40X1,5	M40X1,5	137,6	
3DS 65-200/18.56	80	138	160	200	22	65	122	145	185	20	2	405	180	225	238	20	100	95	125	250	320	65	350	850	621	20	350	14	254	314	60	M40X1,5	M40X1,5	147,2	
3DS 65-200/22.6	80	138	160	200	22	65	122	145	185	20	3	405	180	225	268	-	100	-	-	250	320	65	360	885	-	-	-	-	-	-	-	-	M32X1,5	M32X1,5	184,5

The contents of the publication must not be regarded as binding. EBARA Pumps Europe S.p.A. reserves the right to effect any modification it deems necessary without prior notice.

# 3D SERIES

## CENTRIFUGAL PUMPS CLOSE COUPLED AND STANDARDIZED EN 733

### 3DS SERIES 40, 50, 65



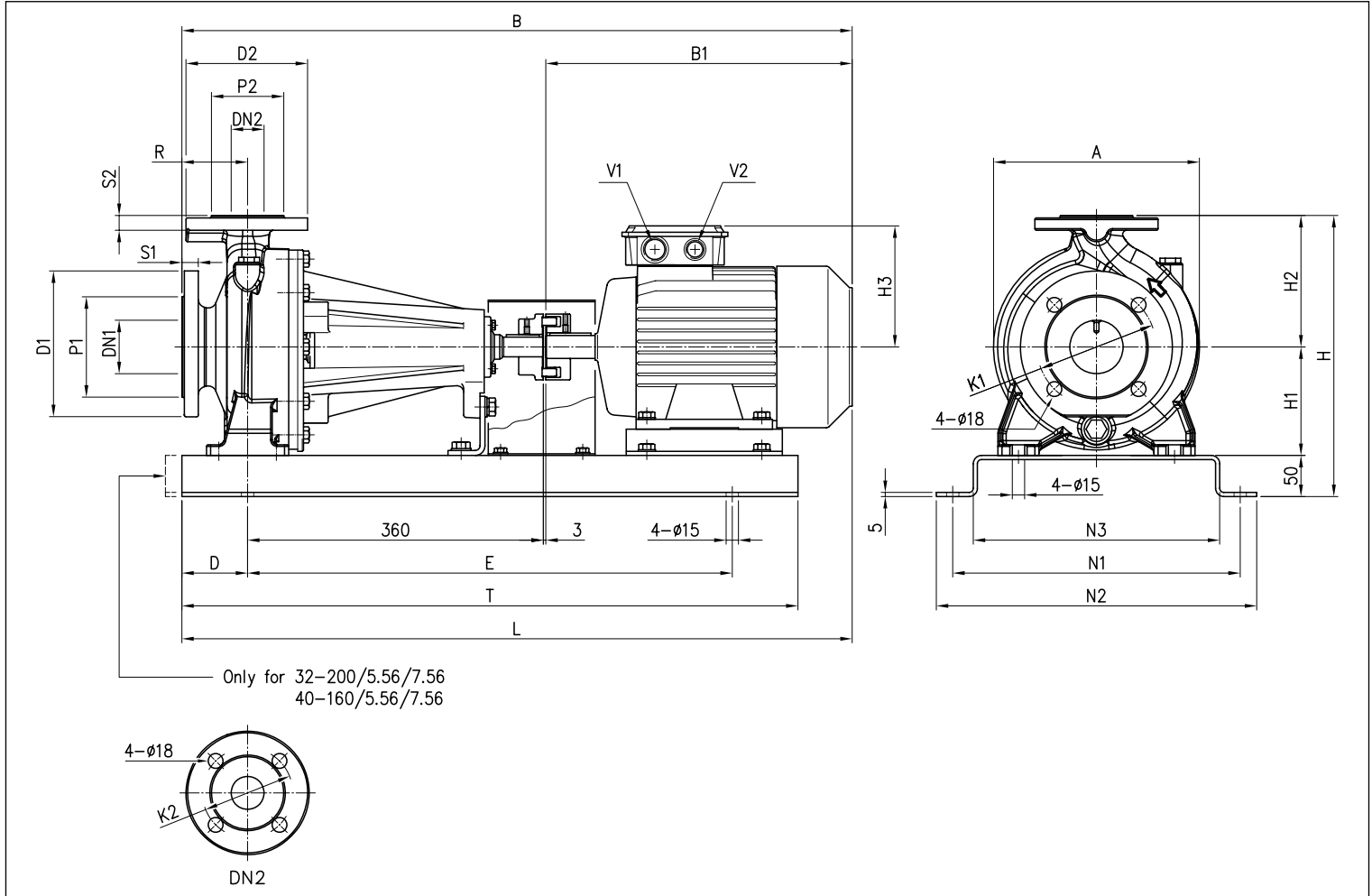
	DN1	P1	K1	D1	S1	DN2	P2	K2	D2	S2	H	H1	H2	H3	R	W	N1	N2	N3	A	B	E	F	V1	V2	[kg]
	Ø	Ø	Ø	Ø		Ø	Ø	Ø	Ø																	
3DS 40-125/3.06	65	122	145	185	20	40	88	110	150	18	294	112	140	155	80	90	180	240	60	250	528	500	563	M25x1,5	M20x1,5	43,6
3DS 40-125/4.06	65	122	145	185	20	40	88	110	150	18	294	112	140	171	80	90	180	240	60	250	550	500	585	M25x1,5	M20x1,5	53,7
3DS 40-160/5.56	65	122	145	185	20	40	88	110	150	18	334	132	160	198	80	110	210	270	60	300	607	600	662	M32x1,5	M32x1,5	83,2
3DS 40-160/7.56	65	122	145	185	20	40	88	110	150	18	334	132	160	198	80	110	210	270	60	300	607	600	662	M32x1,5	M32x1,5	91,0
3DS 40-200/116	65	122	145	185	20	40	88	110	150	18	382	160	180	238	100	110	240	310	70	350	796	720	831	M40x1,5	M40x1,5	119,7
3DS 40-200/156	65	122	145	185	20	40	88	110	150	18	382	160	180	238	100	110	240	310	70	350	796	720	831	M40x1,5	M40x1,5	143,7
3DS 50-125/5.56	65	122	145	185	20	50	102	125	165	20	334	132	160	198	100	110	210	270	60	300	627	600	662	M32x1,5	M32x1,5	75,1
3DS 50-125/7.56	65	122	145	185	20	50	102	125	165	20	334	132	160	198	100	110	210	270	60	300	627	600	662	M32x1,5	M32x1,5	100,3
3DS 50-160/116	65	122	145	185	20	50	102	125	165	20	382	160	180	238	100	110	240	310	70	350	796	720	831	M40x1,5	M40x1,5	88,6
3DS 50-160/156	65	122	145	185	20	50	102	125	165	20	382	160	180	238	100	110	240	310	70	350	796	720	831	M40x1,5	M40x1,5	116,6
3DS 65-160/116	80	138	160	200	22	65	122	145	185	20	402	160	200	238	100	122.5	240	310	70	350	796	720	844	M40x1,5	M40x1,5	89,6
3DS 65-160/156	80	138	160	200	22	65	122	145	185	20	402	160	200	238	100	122.5	240	310	70	350	806	720	854	M40x1,5	M40x1,5	117,6

The contents of this publication must not be regarded as binding. EBARA Pumps Europe S.p.A. reserves the right to effect any modification it deems necessary, without prior notice.

# 3D SERIES

## CENTRIFUGAL PUMPS CLOSE COUPLED AND STANDARDIZED EN 733

3DP 32, 40, 50, 65

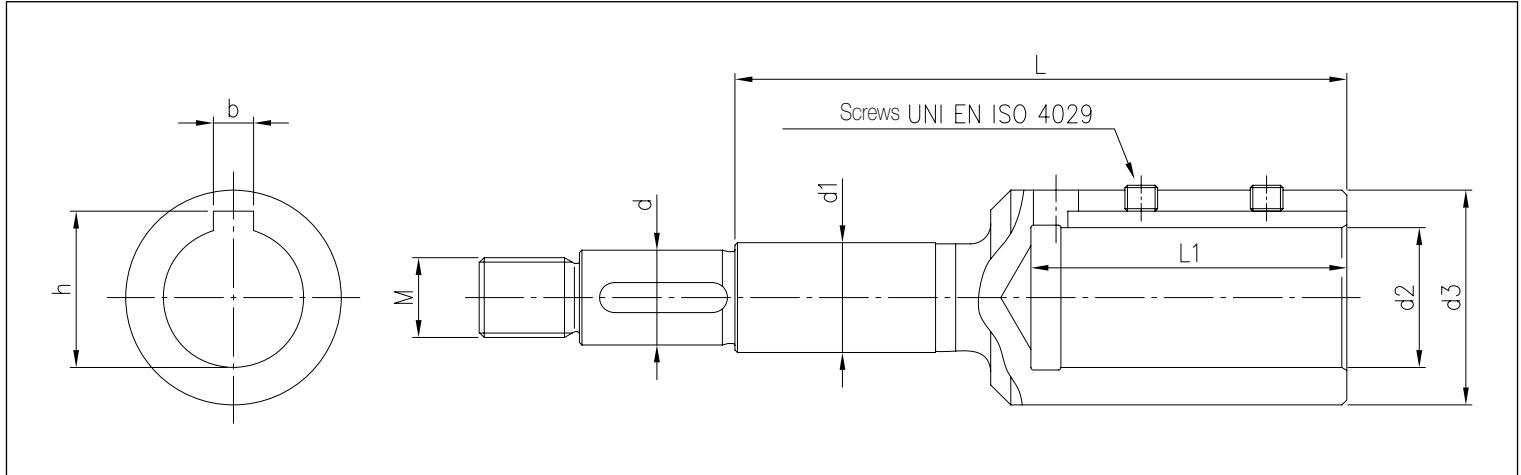


	DN1	P1	K1	D1	S1	DN2	P2	K2	D2	S2	H	H1	H2	H3	R	A	B	B2	D	E	N1	N2	N3	T	L	V1	V2	[kg]
3DP 32-125/2.26	50	102	125	165	20	32	78	100	140	18	302	112	140	148	80	213	760	760	80	550	300	340	250	710	760	M25x1,5	M20x1,5	61,4
3DP 32-160/3.06	50	102	125	165	20	32	78	100	140	18	342	132	160	155	80	254	809	809	80	590	350	390	300	750	809	M25x1,5	M20x1,5	81,9
3DP 32-160/4.06	50	102	125	165	20	32	78	100	140	18	342	132	160	171	80	254	831	831	80	590	350	390	300	750	831	M25x1,5	M20x1,5	85,5
3DP 32-200/5.56	50	102	125	165	20	32	78	100	140	18	390	160	180	198	80	296	885	885	100	650	350	390	300	850	905	M32x1,5	M32x1,5	108,4
3DP 32-200/7.56	50	102	125	165	20	32	78	100	140	18	390	160	180	198	80	296	885	885	100	650	350	390	300	850	905	M32x1,5	M32x1,5	121,6
3DP 40-125/3.06	65	122	145	185	20	40	88	110	150	18	302	112	140	155	80	213	809	809	80	590	300	340	250	750	809	M25x1,5	M20x1,5	89,1
3DP 40-125/4.06	65	122	145	185	20	40	88	110	150	18	302	112	140	171	80	213	831	831	80	590	300	340	250	750	831	M25x1,5	M20x1,5	75,7
3DP 40-160/5.56	65	122	145	185	20	40	88	110	150	18	342	132	160	198	80	254	885	885	100	650	350	390	300	850	905	M32x1,5	M32x1,5	109,0
3DP 40-160/7.56	65	122	145	185	20	40	88	110	150	18	342	132	160	198	80	254	885	885	100	650	350	390	300	850	905	M32x1,5	M32x1,5	115,9
3DP 40-200/116	65	122	145	185	20	40	88	110	150	18	390	160	180	238	100	296	1071	1071	100	800	380	420	330	1000	1071	M40x1,5	M40x1,5	129,7
3DP 40-200/156	65	122	145	185	20	40	88	110	150	18	390	160	180	238	100	296	1071	1071	100	800	380	420	330	1000	1071	M40x1,5	M40x1,5	130,7
3DP 50-125/5.56	65	122	145	185	20	50	102	125	165	20	342	132	160	198	100	254	905	905	100	650	350	390	300	850	905	M32x1,5	M32x1,5	110,3
3DP 50-125/7.56	65	122	145	185	20	50	102	125	165	20	342	132	160	198	100	254	905	905	100	650	350	390	300	850	905	M32x1,5	M32x1,5	117,2
3DP 50-160/116	65	122	145	185	20	50	102	125	165	20	390	160	180	238	100	296	1071	1071	100	800	380	420	330	1000	1071	M40x1,5	M40x1,5	130,1
3DP 50-160/156	65	122	145	185	20	50	102	125	165	20	390	160	180	238	100	296	1071	1071	100	800	380	420	330	1000	1071	M40x1,5	M40x1,5	131,1
3DP 65-125/5.56	80	138	160	200	22	65	122	145	185	20	390	160	180	198	100	254	905	905	100	650	350	390	300	850	905	M32x1,5	M32x1,5	114,3
3DP 65-125/7.56	80	138	160	200	22	65	122	145	185	20	390	160	180	198	100	254	905	905	100	650	350	390	300	850	905	M32x1,5	M32x1,5	122,7
3DP 65-160/9.26	80	138	160	200	22	65	122	145	185	20	410	160	200	198	100	296	945	945	100	650	350	390	300	850	945	M32x1,5	M32x1,5	133,0
3DP 65-160/116	80	138	160	200	22	65	122	145	185	20	410	160	200	238	100	296	1071	1071	100	800	380	420	330	1000	1071	M40x1,5	M40x1,5	130,0
3DP 65-160/156	80	138	160	200	22	65	122	145	185	20	410	160	200	238	100	296	1071	1071	100	800	380	420	330	1000	1071	M40x1,5	M40x1,5	128,1
3DP 65-200/156	80	138	160	200	22	65	122	145	185	20	455	180	225	238	100	296	1071	1071	100	800	380	420	330	1000	1071	M40x1,5	M40x1,5	136,6
3DP 65-200/18.56	80	138	160	200	22	65	122	145	185	20	455	180	225	238	100	296	1115	1115	100	800	380	420	330	1000	1115	M40x1,5	M40x1,5	145,2
3DP 65-200/226	80	138	160	200	22	65	122	145	185	20	455	180	225	268	100	296	1150	1150	100	800	410	450	360	1000	1150	M32x1,5	M32x1,5	198,5

# 3D SERIES

## CENTRIFUGAL PUMPS CLOSE COUPLED AND STANDARDIZED EN 733

### 3DS SERIES



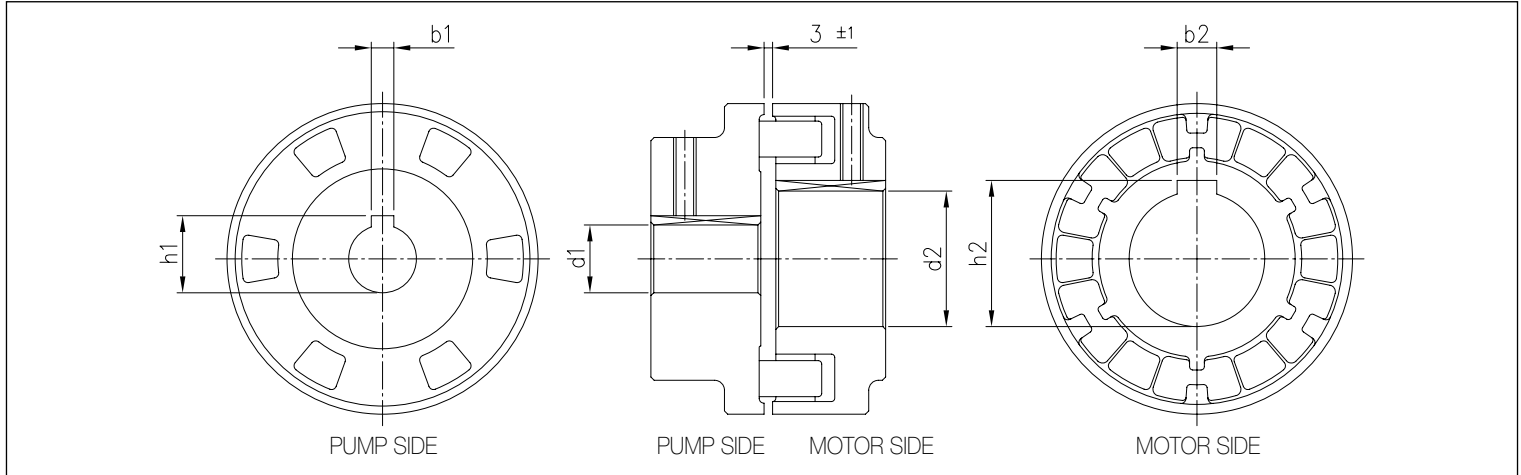
	[HP]	[kW]		d	d1	d2	d3	M	[mm] L	L1	b	h	
3DS 32-125/2.26	3	2.2	90	19	22	24	39	M16x1.5	110	53	8	27.3	M8x8
3DS 32-160/3.06	4	3	100	19	22	28	43	M16x1.5	122	63	8	31.3	M8x8
3DS 32-160/4.06	5.5	4	112	19	22	28	43	M16x1.5	122	63	8	31.3	M8x8
3DS 32-200/5.56	7.5	5.5	132	19	22	38	58	M16x1.5	145	84	10	41.3	M8x8
3DS 32-200/7.56	10	7.5	132	19	22	38	58	M16x1.5	145	84	10	41.3	M8x8
3DS 40-125/3.06	4	3	100	19	22	28	43	M16x1.5	122	63	8	31.3	M8x8
3DS 40-125/4.06	5.5	4	112	19	22	28	43	M16x1.5	122	63	8	31.3	M8x8
3DS 40-160/5.56	7.5	5.5	132	19	22	38	58	M16x1.5	145	84	10	41.3	M8x8
3DS 40-160/7.56	10	7.5	132	19	22	38	58	M16x1.5	145	84	10	41.3	M8x8
3DS 40-200/116	15	11	160	19	22	42	63	M16x1.5	178	114	12	45.3	M8x8
3DS 40-200/156	20	15	160	19	22	42	63	M16x1.5	178	114	12	45.3	M8x8
3DS 50-125/5.56	7.5	5.5	132	19	22	38	58	M16x1.5	145	84	10	41.3	M8x8
3DS 50-125/7.56	10	7.5	132	19	22	38	58	M16x1.5	145	84	10	41.3	M8x8
3DS 50-160/116	15	11	160	19	22	42	63	M16x1.5	178	114	12	45.3	M8x8
3DS 50-160/156	20	15	160	19	22	42	63	M16x1.5	178	114	12	45.3	M8x8
3DS 65-125/5.56	7.5	5.5	132	19	22	38	58	M16x1.5	145	84	10	41.3	M8x8
3DS 65-125/7.56	10	7.5	132	19	22	38	58	M16x1.5	145	84	10	41.3	M8x8
3DS 65-160/9.26	12.5	9.2	132	19	22	38	58	M16x1.5	145	84	10	41.3	M8x8
3DS 65-160/116	15	11	160	19	22	42	63	M16x1.5	178	114	12	45.3	M8x8
3DS 65-160/156	20	15	160	24	30	42	63	M20x1.5	184	114	12	45.3	M8x8
3DS 65-200/156	20	15	160	24	30	42	63	M20x1.5	184	114	12	45.3	M8x8
3DS 65-200/18.56	25	18.5	160	24	30	42	63	M20x1.5	184	114	12	45.3	M8x8
3DS 65-200/226	30	22	180	24	30	48	72	M20x1.5	184	114	14	51.8	M10x10

The contents of this publication must not be regarded as binding. EBARA Pumps Europe S.p.A. reserves the right to effect any modification it deems necessary, without prior notice.

# 3D SERIES

## CENTRIFUGAL PUMPS CLOSE COUPLED AND STANDARDIZED EN 733

### 3DP SERIES



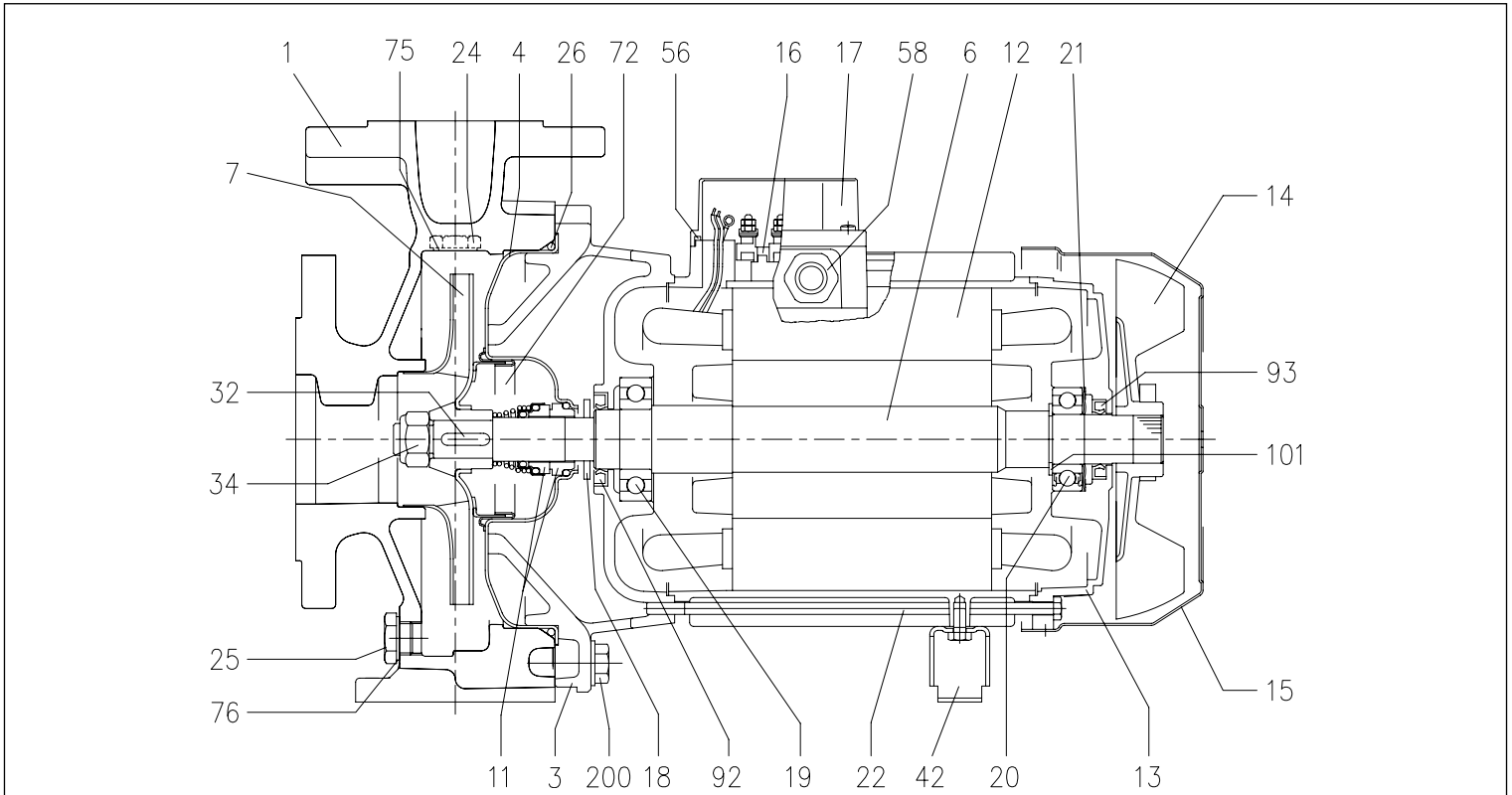
	[HP]	[kW]		d1	b1	h1	[mm]	d2	b2	h2
3DP 32-125/2.26	2,2	3	90	24	8	27.3	24	8	27.3	
3DP 32-160/3.06	3	4	100	24	8	27.3	28	8	31.3	
3DP 32-160/4.06	4	5,5	112	24	8	27.3	28	8	31.3	
3DP 32-200/5.56	5,5	7,5	132	24	8	27.3	38	10	41.3	
3DP 32-200/7.56	7,5	10	132	24	8	27.3	38	10	41.3	
3DP 40-125/3.06	3	4	100	24	8	27.3	28	8	31.3	
3DP 40-125/4.06	4	5,5	112	24	8	27.3	28	8	31.3	
3DP 40-160/5.56	5,5	7,5	132	24	8	27.3	38	10	41.3	
3DP 40-160/7.56	7,5	10	132	24	8	27.3	38	10	41.3	
3DP 40-200/116	11	15	160	24	8	27.3	42	12	45.3	
3DP 40-200/156	15	20	160	24	8	27.3	42	12	45.3	
3DP 50-125/5.56	5,5	7,5	132	24	8	27.3	38	10	41.3	
3DP 50-125/7.56	7,5	10	132	24	8	27.3	38	10	41.3	
3DP 50-160/116	11	15	160	24	8	27.3	42	12	45.3	
3DP 50-160/156	15	20	160	24	8	27.3	42	12	45.3	
3DP 65-125/5.56	5,5	7,5	132	24	8	27.3	38	10	41.3	
3DP 65-125/7.56	7,5	10	132	24	8	27.3	38	10	41.3	
3DP 65-160/9.26	9,2	12,5	132	24	8	27.3	38	10	41.3	
3DP 65-160/116	11	15	160	24	8	27.3	42	12	45.3	
3DP 65-160/156	15	20	160	24	8	27.3	42	12	45.3	
3DP 65-200/156	15	20	160	24	8	27.3	42	12	45.3	
3DP 65-200/18.56	18,5	25	160	24	8	27.3	42	12	45.3	
3DP 65-200/226	22	30	180	24	8	27.3	48	14	51.8	



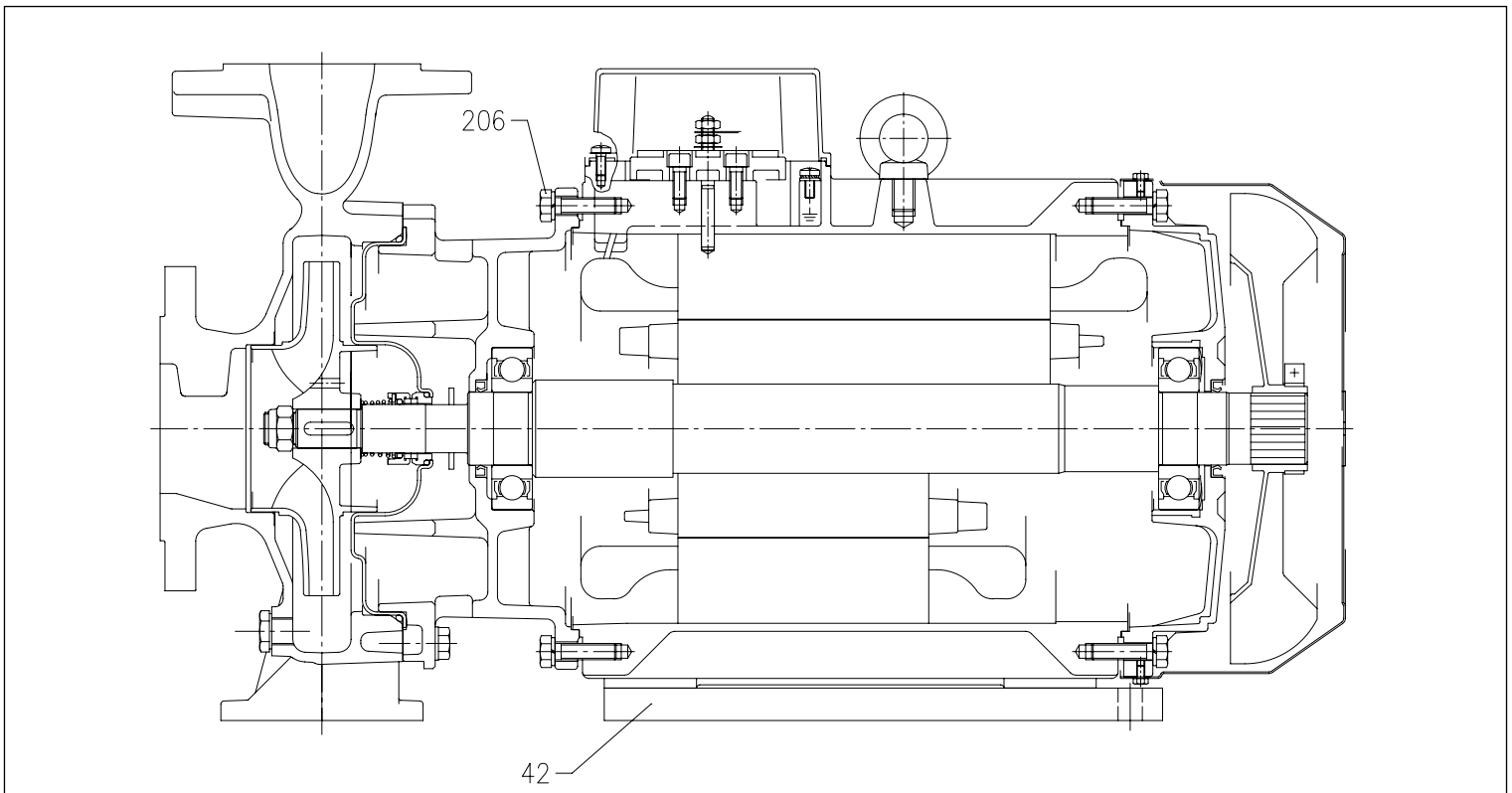
# 3D SERIES

CENTRIFUGAL PUMPS CLOSE COUPLED AND STANDARDIZED EN 733

3D SERIES 32, 40, 50, 65 - up to 11 kW



3D SERIES 32, 40, 50, 65 - from 15 kW and above



The contents of this publication must not be regarded as binding. EBARA Pumps Europe S.p.A. reserves the right to effect any modification it deems necessary, without prior notice.

Ref.		
001	Pump casing	Cast iron EN-GJL-250-EN 1561
003	Motor bracket	[1]
004	Seal housing disc	EN 1.4301 (AISI 304)
006	Rotor shaft (part in contact with the liquid)	EN 1.4301 (AISI 304)
007	Impeller	[2]
011	Mechanical seal	Ceramic/Carbon/NBR
012	Motor frame	-
013	Motor cover	Aluminium
014	Fan	PA
015	Fan cover	Fe P04 Galvanized
016	Terminal box	-
017	Terminal box cover	Aluminium (three phase only)
018	Spray protector washer	NBR
019	Bearing (pump side)	-
020	Bearing (motor side)	-
021	Adjusting ring	Steel C70
022	Tie-rod	Fe 42 Galvanized
	Screw	Galvanized steel 8.8 class ISO 898-1
024	Plug	Brass
025	Plug	Brass
026	O-Ring	NBR [3]
032	Key	EN 1.4401 (AISI 304)
034	Impeller nut	EN 1.4301 (AISI 304)
042	Motor support	Aluminium / Galvanized steel
056	Terminal box gasket	NBR
058	Cable gland	-
072	Casing ring [4]	EN 1.4301 (AISI 304)
075	Washer	Aluminium
076	Washer	Aluminium
092	Seal ring	-
093	Seal ring	-
101	Seeger ring [5]	Carbon steel TC 80
200	Screw	Galvanized steel 8.8 class ISO 898-1
235	Washer	Galvanized steel
206	Screw (support) [6]	Galvanized steel 8.8 class ISO 898-1

[1]= Cast iron EN-GJL-200-EN 1561 for 3D SERIES 32-200/3 and models from 15, 18.5 and 22 kW; aluminium AL-EN-1706-AC-46000-D for the rest of the range

[2]= EN 1.4301 (AISI 304) for 3D SERIES 32, 40, 50; EN 1.4401 (AISI 316) for 3D SERIES 65

[3]= FPM for H, HS, HW, HSW versions; EDPM for E version

[4]= Only for 3D SERIES 32-200, 40-200, 50-160, 50-200

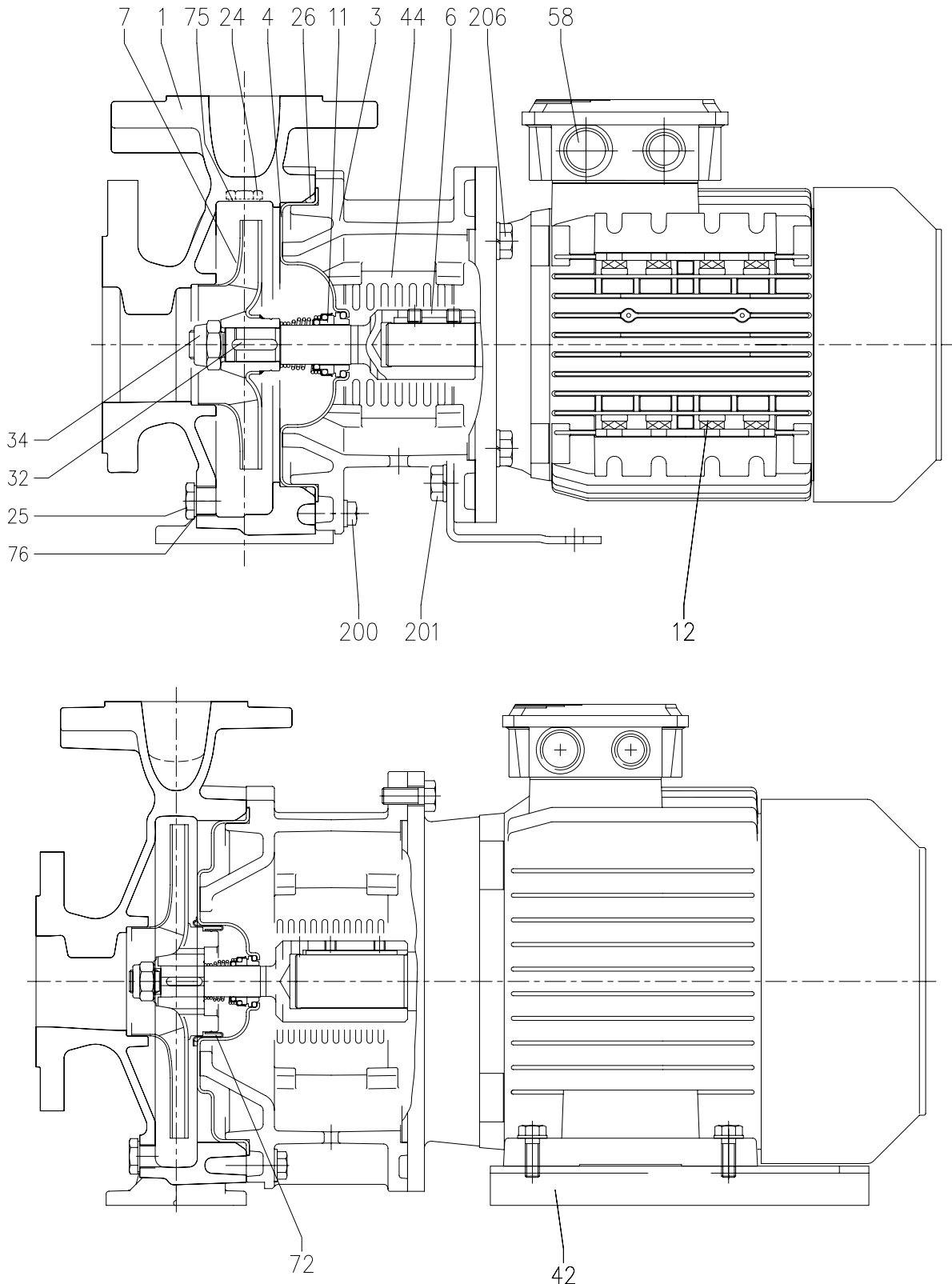
[5]= Only for 9,2 and 11 kW models

[6]= Only for 11 kW models

# 3D SERIES

CENTRIFUGAL PUMPS CLOSE COUPLED AND STANDARDIZED EN 733

3DS SERIES 32, 40, 50

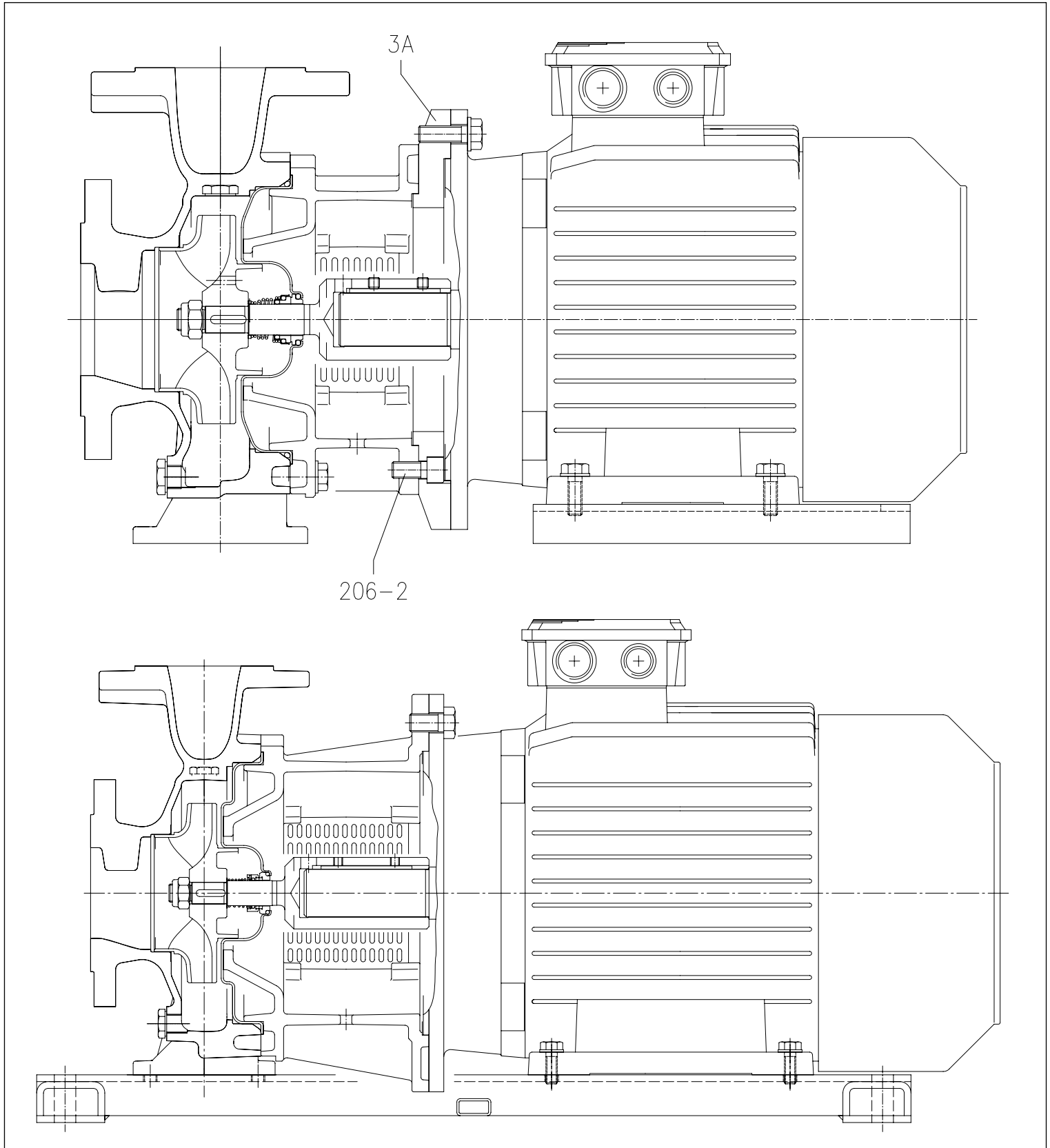


The contents of this publication must not be regarded as binding. EBARA Pumps Europe S.p.A. reserves the right to effect any modification it deems necessary, without prior notice.

# 3D SERIES

CENTRIFUGAL PUMPS CLOSE COUPLED AND STANDARDIZED EN 733

## 3DS SERIES 65



The contents of the publication must not be regarded as binding. EBARA Pumps Europe S.p.A. reserves the right to effect any modification it deems necessary without prior notice.

Ref.		
001	Pump casing	Cast iron EN-GJL-250-EN 1561
003	Motor bracket	Cast iron EN-GJL-250-EN 1561
003A	Adapter ring [1]	Cast iron EN-GJL-250-EN 1561
004	Rotor shaft	EN 1.4301 (AISI 304)
006	Joint (part in contact with the liquid)	EN 1.4301 (AISI 304)
007	Impeller	[2]
011	Mechanical seal	Ceramic/Carbon/NBR
012	Motor	-
024	Plug	Brass
025	Plug	Brass
026	O-Ring	NBR [3]
032	Key	EN 1.4401 (AISI 304)
034	Impeller nut	EN 1.4301 (AISI 304)
042	Motor support	Galvanized steel
044	Support protection	EN 1.4301 (AISI 304)
058	Cable gland	-
072	Casing ring [4]	EN 1.4301 (AISI 304)
075	Washer	Aluminium
076	Washer	Aluminium
200	Screw	Galvanized steel 8.8 class ISO 898-1
201	Screw [5]	Galvanized steel 8.8 class ISO 898-1
206	Screw (support)	Galvanized steel 8.8 class ISO 898-1
206-2	Adapter ring screw	Galvanized steel 8.8 class ISO 898-1
235	Washer	Galvanized steel

[1]= Only for 3D SERIES 65-125/5.5 and 65-125/7.5 models

[2]= EN 1.4301 (AISI 304) for 3D SERIES 32, 40, 50; EN 1.4401 (AISI 316) for 3D SERIES 65

[3]= FPM for H, HS, HW, HSW versions; EPDM for E version

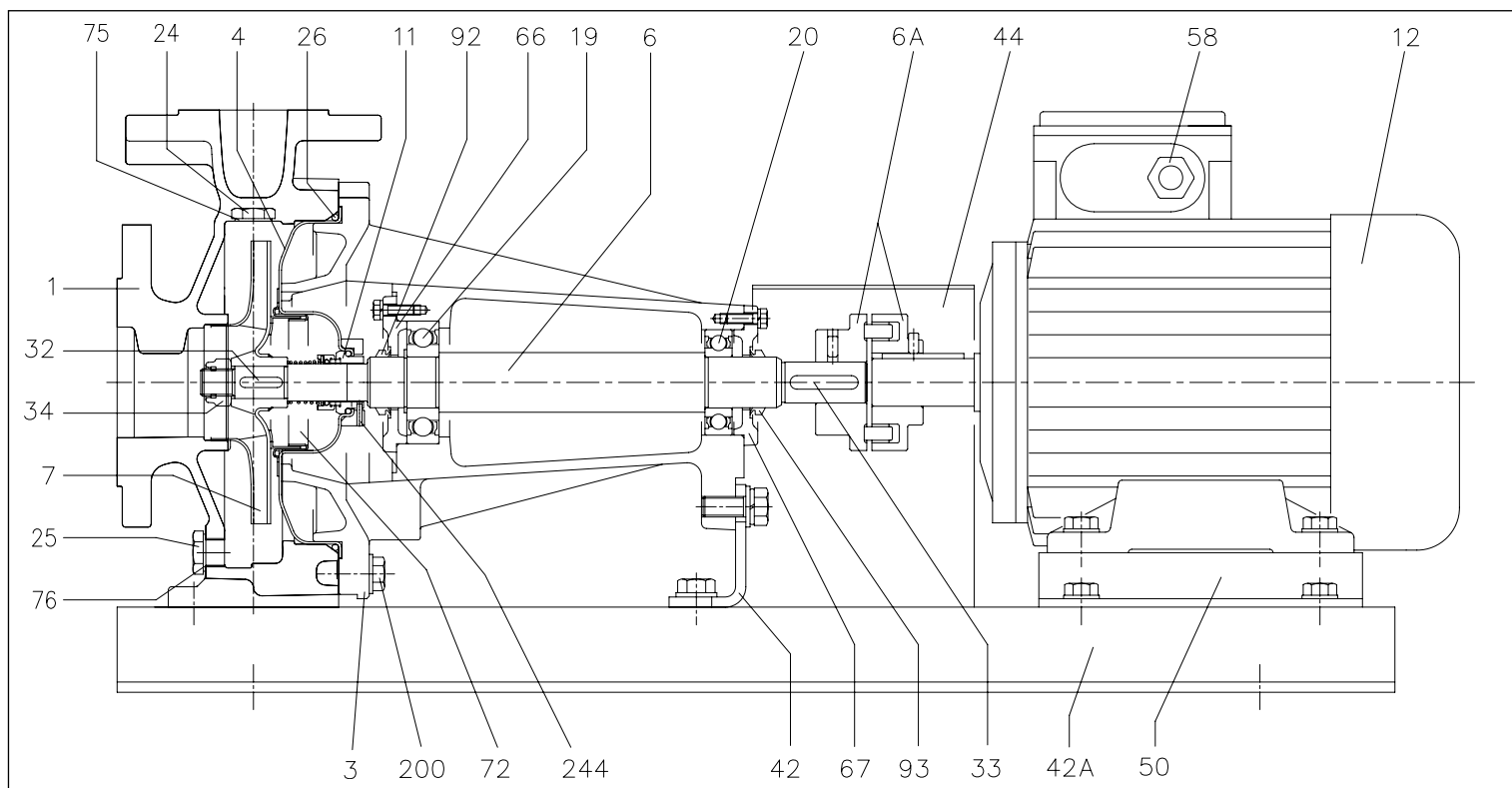
[4]= Only for 3D SERIES 32-200, 40-200, 50-160, 50-200

[5]= Only for 3D SERIES 32-125/1.1, 32-160/1.5, 32-160/2.2, 40-125/1.5, 40-125/2.2, 50-125/2.2

# 3D SERIES

## CENTRIFUGAL PUMPS CLOSE COUPLED AND STANDARDIZED EN 733

### 3DP SERIES 32, 40, 50, 65



Ref.	Description	Material
001	Pump casing	Cast iron EN-GJL-250-EN 1561
003	Motor bracket	Cast iron EN-GJL-250-EN 1561
004	Seal housing disc	EN 1.4301 (AISI 304)
006	Shaft (part in contact with the liquid)	EN 1.4301 (AISI 304)
006A	Flexible joint	Cast iron EN-GJL-250-EN 1561
007	Impeller	[1]
011	Mechanical seal	Ceramic/Carbon/NBR
012	Motor	-
019	Bearing	-
020	Bearing	-
024	Plug	Brass
025	Plug	Brass
026	O-Ring	NBR [2]
032	Key	EN 1.4401 (AISI 316)
033	Key	C 40
034	Impeller nut	EN 1.4301 (AISI 304)
042	Pump support	Fe 37 Galvanized
042A	Base	Fe 37 Galvanized
044	Support protection	Fe 37 Galvanized
050	Motor support	Aluminium / Galvanized steel
058	Cable gland	-
066	Bearing cover (impeller side)	Cast iron EN-GJL-250-EN 1561
067	Bearing cover (motor side)	Cast iron EN-GJL-250-EN 1561
072	Casing ring [3]	EN 1.4301 (AISI 304)
075	Washer	Aluminium
076	Washer	Aluminium
092	V ring	-
093	V ring	-
200	Screw	Galvanized steel 8.8 class ISO 898-1
235	Washer	Galvanized steel

[1]= EN 1.4301 (AISI 304) for 3D SERIES 32, 40, 50; EN 1.4401 (AISI 316) for 3D SERIES 65

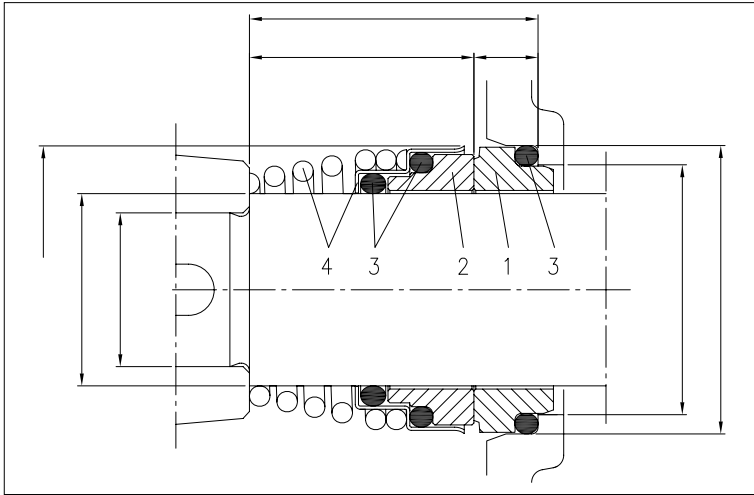
[2]= FPM for H, HS, HW, HSW versions; EPDM for E version

[3]= Only for 3D SERIES 32-200, 40-200, 50-160, 50-200

# 3D SERIES

## CENTRIFUGAL PUMPS CLOSE COUPLED AND STANDARDIZED EN 733

standard version



Ref.		
1	Fixed part	Carbon
2	Rotating part	Ceramic
3	Gasket	NBR
4	Frame + spring	EN 1.4401 (AISI 316)

(on request)

Ref.		H version	HS version	HW version	HSW version	E version
1	Fixed part	Carbon	SiC	Tungsten Carbide	Tungsten Carbide	Carbon
2	Rotating part	Ceramic	SiC	Tungsten Carbide	SiC	Ceramic
3	Gasket	FPM	FPM	FPM	FPM	EPDM
4	Frame + spring	EN 1.4401 (AISI 316)	EN 1.4571 (AISI 316Ti)	EN 1.4401 (AISI 316)	EN 1.4401 (AISI 316)	EN 1.4401 (AISI 316)

# 3D SERIES

## CENTRIFUGAL PUMPS CLOSE COUPLED AND STANDARDIZED EN 733

### 3D SERIES

	P <sub>2</sub>		Efficiency (%) (380V)			Efficiency (%) (460V)			Input [kW]	Absorbed current [A]			
	[HP]	[kW]	50%	η % 75%	100%	50%	η % 75%	100%		220V	380V	460V	660V
	3D 32-125/2.26	3,0	2,2	80.5	83.3	83.5	77.3	82.4		84.1	2.9	7.0	4.1
3D 32-160/3.06	4,0	3,0	84.0	85.9	85.2	80.2	83.5	84.6	3.9	10.5	6.1	5.6	-
3D 32-160/4.06	5,5	4,0	83.2	85.8	86.1	81.0	85.1	86.7	5.1	14.7	8.5	8.0	-
3D 32-200/5.56	7,5	5,5	83.4	85.3	85.7	82.9	86.0	87.4	7.0	-	11.6	9.5	6.7
3D 32-200/7.56	10,0	7,5	83.1	85.4	85.8	82.6	86.1	87.5	9.4	-	14.9	12.7	8.6
3D 40-125/3.06	4,0	3,0	84.0	85.9	85.2	80.2	83.5	84.6	3.9	10.5	6.1	5.6	-
3D 40-125/4.06	5,5	4,0	83.2	85.8	86.1	81.0	85.1	86.7	5.1	14.7	8.5	8.0	-
3D 40-160/5.56	7,5	5,5	83.4	85.3	85.7	82.9	86.0	87.4	7.0	-	11.6	9.5	6.7
3D 40-160/7.56	10,0	7,5	83.1	85.4	85.8	82.6	86.1	87.5	9.4	-	14.9	12.7	8.6
3D 40-200/11.6	15,0	11,0	87.3	88.8	88.6	85.9	88.7	89.6	11.3	-	17.7	15.4	10.3
3D 40-200/15.6	20,0	15,0	90.9	91.5	91.0	89.4	91.3	91.8	17.9	-	28.7	25.0	16.6
3D 50-125/5.56	7,5	5,5	83.4	85.3	85.7	82.9	86.0	87.4	7.0	-	11.6	9.5	6.7
3D 50-125/7.56	10,0	7,5	83.1	85.4	85.8	82.6	86.1	87.5	9.4	-	14.9	12.7	8.6
3D 50-160/11.6	15,0	11,0	87.3	88.8	88.6	85.9	88.7	89.6	11.3	-	17.7	15.4	10.3
3D 50-160/15.6	20,0	15,0	90.9	91.5	91.0	89.4	91.3	91.8	17.9	-	28.7	25.0	16.6
3D 65-125/5.56	7,5	5,5	83.4	85.3	85.7	82.9	86.0	87.4	7.0	-	11.6	9.5	6.7
3D 65-125/7.56	10,0	7,5	83.1	85.4	85.8	82.6	86.1	87.5	9.4	-	14.9	12.7	8.6
3D 65-160/9.26	13,0	9,2	87.3	88.8	88.6	85.9	88.7	89.6	11.3	-	17.7	15.4	10.3
3D 65-160/11.6	15,0	11,0	91.9	91.8	91.2	90.9	92.0	91.9	13.2	-	18.3	18.3	10.5
3D 65-160/15.6	20,0	15,0	90.9	91.5	91.0	89.4	91.3	91.8	17.9	-	28.7	25.0	16.6
3D 65-200/15.6	20,0	15,0	90.9	91.5	91.0	89.4	91.3	91.8	17.9	-	28.7	25.0	16.6
3D 65-200/18.56	25,0	18,5	91.7	92.8	92.5	90.3	92.1	92.9	21.9	-	34.8	31.0	20.1
3D 65-200/22.6	30,0	22,0	89.7	91.2	91.3	88.4	91.0	91.7	26.4	-	41.7	36.4	24.0



# 3D SERIES

## CENTRIFUGAL PUMPS CLOSE COUPLED AND STANDARDIZED EN 733

### 3DS - 3DP SERIES

3DS	3DP	P <sub>2</sub>		Input [kW]	Efficiency (%)				Absorbed current [A]	
		[HP]	[kW]		50%	η % 75%	100%	cos-φ	265V	460V
3DS 32-125/2.26	3DP 32-125/2.26	3	2,2	2.65	79.6	83.2	84.3	0.81	7.1	4.1
3DS 32-160/3.06	3DP 32-160/3.06	4	3	3.56	80.7	84.4	85.5	0.86	9.0	5.2
3DS 32-160/4.06	3DP 32-160/4.06	5,5	4	4.70	81.3	84.2	85.0	0.83	12.3	7.1
3DS 32-200/5.56	3DP 32-200/5.56	7,5	5,5	6.22	83.5	86.6	87.8	0.84	-	9.3
3DS 32-200/7.56	3DP 32-200/7.56	10	7,5	8.36	86.3	88.7	89.3	0.86	-	12.2
3DS 40-125/3.06	3DP 40-125/3.06	4	3	3.56	80.7	84.4	85.5	0.86	9.0	5.2
3DS 40-125/4.06	3DP 40-125/4.06	5,5	4	4.70	81.3	84.2	85.0	0.83	12.3	7.1
3DS 40-160/5.56	3DP 40-160/5.56	7,5	5,5	6.22	83.5	86.6	87.8	0.84	-	9.3
3DS 40-160/7.56	3DP 40-160/7.56	10	7,5	8.36	86.3	88.7	89.3	0.86	-	12.2
3DS 40-200/116	3DP 40-200/116	15	11	12.15	85.2	88.0	90.0	0.82	-	18.6
3DS 40-200/156	3DP 40-200/156	20	15	16.71	88.2	90.1	90.2	0.90	-	23.3
3DS 50-125/5.56	3DP 50-125/5.56	7,5	5,5	6.22	83.5	86.6	87.8	0.84	-	9.3
3DS 50-125/7.56	3DP 50-125/7.56	10	7,5	8.36	86.3	88.7	89.3	0.86	-	12.2
3DS 50-160/116	3DP 50-160/116	15	11	12.15	85.2	88.0	90.0	0.82	-	18.6
3DS 50-160/156	3DP 50-160/156	20	15	16.71	88.2	90.1	90.2	0.90	-	23.3
3DS 65-125/5.56	3DP 65-125/5.56	7,5	5,5	6.22	83.5	86.6	87.8	0.84	-	9.3
3DS 65-125/7.56	3DP 65-125/7.56	10	7,5	8.36	86.3	88.7	89.3	0.86	-	12.2
3DS 65-160/9.26	3DP 65-160/9.26	12,5	9,2	10.40	86.5	88.9	89.5	0.90	-	14.5
3DS 65-160/116	3DP 65-160/116	15	11	12.15	85.2	88.0	90.0	0.82	-	18.6
3DS 65-160/156	3DP 65-160/156	20	15	16.71	88.2	90.1	90.2	0.90	-	23.3
3DS 65-200/156	3DP 65-200/156	20	15	16.71	88.2	90.1	90.2	0.90	-	23.3
3DS 65-200/18.56	3DP 65-200/18.56	25	18,5	20.32	88.7	90.8	90.9	0.82	-	31.1
3DS 65-200/226	3DP 65-200/226	30	22	24.11	-	-	91.3	0.89	-	34.0

# 3D SERIES

## CENTRIFUGAL PUMPS CLOSE COUPLED AND STANDARDIZED EN 733

### 3D SERIES

	P <sub>2</sub>		L <sub>pa</sub> - dB(A)*
	[HP]	[kW]	
3D 32-125/2.26	3,0	2,2	68
3D 32-160/3.06	4,0	3,0	75
3D 32-160/4.06	5,5	4,0	
3D 32-200/5.56	7,5	5,5	78
3D 32-200/7.56	10,0	7,5	
3D 40-125/3.06	4,0	3,0	75
3D 40-125/4.06	5,5	4,0	
3D 40-160/5.56	7,5	5,5	78
3D 40-160/7.56	10,0	7,5	
3D 40-200/116	15,0	11,0	82
3D 40-200/156	20,0	15,0	
3D 50-125/5.56	7,5	5,5	78
3D 50-125/7.56	10,0	7,5	
3D 50-160/116	15,0	11,0	82
3D 50-160/156	20,0	15,0	
3D 65-125/5.56	7,5	5,5	78
3D 65-125/7.56	10,0	7,5	
3D 65-160/9.26	13,0	9,2	82
3D 65-160/116	15,0	11,0	
3D 65-160/156	20,0	15,0	86
3D 65-200/156	20,0	15,0	
3D 65-200/18.56	25,0	18,5	
3D 65-200/226	30,0	22,0	

\* Mean value of several measures at 1m distance around the pump.  
Tolerance ± 2.5 dB.

### 3DS - 3DP SERIES

3DS	3DP	P <sub>2</sub>		L <sub>pa</sub> - dB(A)*
		[HP]	[kW]	
3DS 32-125/2.26	3DP 32-125/2.26	3	2,2	70
3DS 32-160/3.06	3DP 32-160/3.06	4	3	74
3DS 32-160/4.06	3DP 32-160/4.06	5,5	4	78
3DS 32-200/5.56	3DP 32-200/5.56	7,5	5,5	82
3DS 32-200/7.56	3DP 32-200/7.56	10	7,5	
3DS 40-125/3.06	3DP 40-125/3.06	4	3	74
3DS 40-125/4.06	3DP 40-125/4.06	5,5	4	78
3DS 40-160/5.56	3DP 40-160/5.56	7,5	5,5	82
3DS 40-160/7.56	3DP 40-160/7.56	10	7,5	
3DS 40-200/116	3DP 40-200/116	15	11	84
3DS 40-200/156	3DP 40-200/156	20	15	
3DS 50-125/5.56	3DP 50-125/5.56	7,5	5,5	82
3DS 50-125/7.56	3DP 50-125/7.56	10	7,5	
3DS 50-160/116	3DP 50-160/116	15	11	84
3DS 50-160/156	3DP 50-160/156	20	15	
3DS 65-125/5.56	3DP 65-125/5.56	7,5	5,5	82
3DS 65-125/7.56	3DP 65-125/7.56	10	7,5	
3DS 65-160/9.26	3DP 65-160/9.26	12,5	9,2	84
3DS 65-160/116	3DP 65-160/116	15	11	
3DS 65-160/156	3DP 65-160/156	20	15	
3DS 65-200/156	3DP 65-200/156	20	15	
3DS 65-200/18.56	3DP 65-200/18.56	25	18,5	85
3DS 65-200/226	3DP 65-200/226	30	22	

\* Mean value of several measures at 1m distance around the pump.  
Tolerance ± 2.5 dB.



**EBARA**

